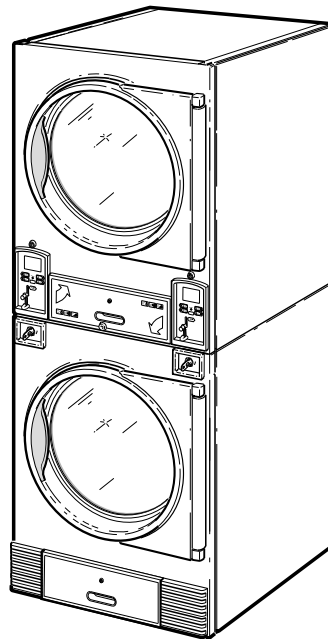


Drying Tumblers

Stacked 30 and 45 Pound Capacities

Models Starting Serial No. 0602004144

Refer to Page 5 for Model Numbers



T477C_70304801

Parts

Table of Contents

Title	Page
Parts Ordering Information.....	3
Serial Plate Location	3
Model Identification	5
Product Overview - Heat Source and Voltage	6
Product Overview - Control Suffixes (Drawing 1 of 3).....	8
Product Overview - Control Suffixes (Drawing 2 of 3).....	10
Product Overview - Control Suffixes (Drawing 3 of 3).....	12
Single Drop Control Components	14
Dual Digital Timer Components	16
DX4 Control Components	18
Coin Drop Components for MDC Models.....	20
Card Reader Components for MDC Models	22
Coin Drops	24
Coin Drop Kits.....	26
Electronic Coin Drop Components.....	28
Card Reader Components for Micro Models.....	30
Coin Drop Components for NetMaster Models.....	32
Card Reader Components for NetMaster Models.....	34
Network Board for NetMaster Models.....	36
Coin Drop Components for Quantum Models.....	38
Card Reader Components for Quantum Models	40
Network Board for Quantum Models.....	42
Communication Board	44
Coin Drop Components for Galaxy 600 Models	46
Card Reader Components for Galaxy 600 Models	48
LED OPL Control	50
Door Assemblies.....	52
Door Components.....	54
Door Hinge Components	56
Front Panel Assemblies and False Fronts	58
Upper Cabinet Front Components	60
Lower Cabinet Front Components	62
Emergency Stop Button for CE Models	64
Lint Drawer Components	66
Lint Drawer Overlays	68
Cylinder and Trunnion Components	70
Bearing Components	72
Cabinet Components	74
Drive Motor Components	76
Drive Motors and Motor Capacitors	78
Exhaust Components.....	80

© Copyright 2014, Alliance Laundry Systems LLC

All rights reserved. No part of the contents of this book may be reproduced or transmitted in any form or by any means without the expressed written consent of the publisher.

Blower Components.....	82
Moisture Sensing Components.....	84
Gas Burner Housing and Secondary Stove Limit	86
Airflow Switch.....	88
Gas Valve and Piping - Non-CE and Non-Australian Gas Models.....	90
Gas Valve and Piping - T30 CE and Australian Gas Models	92
Gas Valve and Piping - T45 CE and Australian Gas Models	94
Electric Heater Components	96
Steam Heater Components	98
Control Tray Harness - Gas Models	100
Control Tray Components - Non-CE Gas Models (Drawing 1 of 2)	102
Control Tray Components - Non-CE Gas Models (Drawing 2 of 2)	104
Control Tray Components - CE Gas Models (Drawing 1 of 2)	106
Control Tray Components - CE Gas Models (Drawing 2 of 2)	108
Control Tray Harnesses - Steam Models	110
Control Tray Components - Non-CE Steam Models	112
Control Tray Components - CE Steam Models.....	114
Accessory Box Harnesses - Electric Models.....	116
Accessory Box Components - Non-CE Electric Models.....	118
Accessory Box Components - CE Electric Models	120
Parts Index.....	123

Parts Ordering Information

If literature or replacement parts are required, contact the source from whom the machine was purchased or contact Alliance Laundry Systems at (920) 748-3950 for the name and address of the nearest authorized parts distributor.

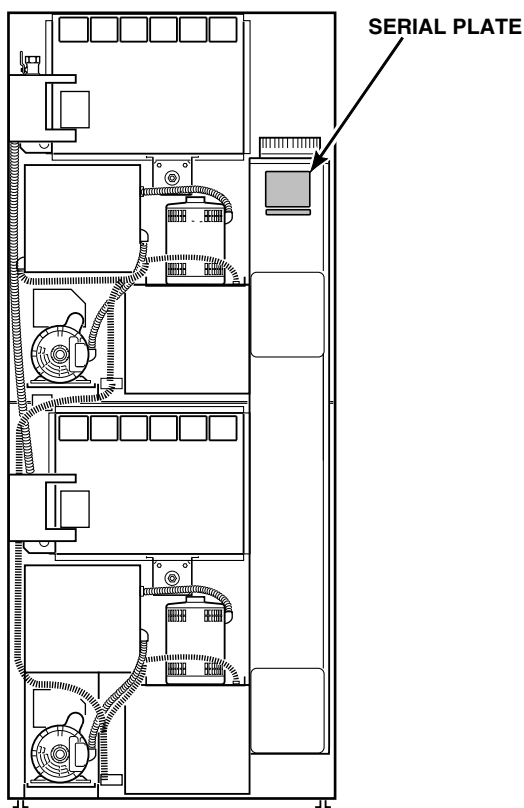
For technical assistance, call either of the numbers listed below:

(920) 748-3121 Ripon, Wisconsin

+32 56 41 20 54 Wevelgem, Belgium

Serial Plate Location

When calling or writing about your product, be sure to mention model and serial numbers. Model and serial numbers are located on serial plate(s) as shown.



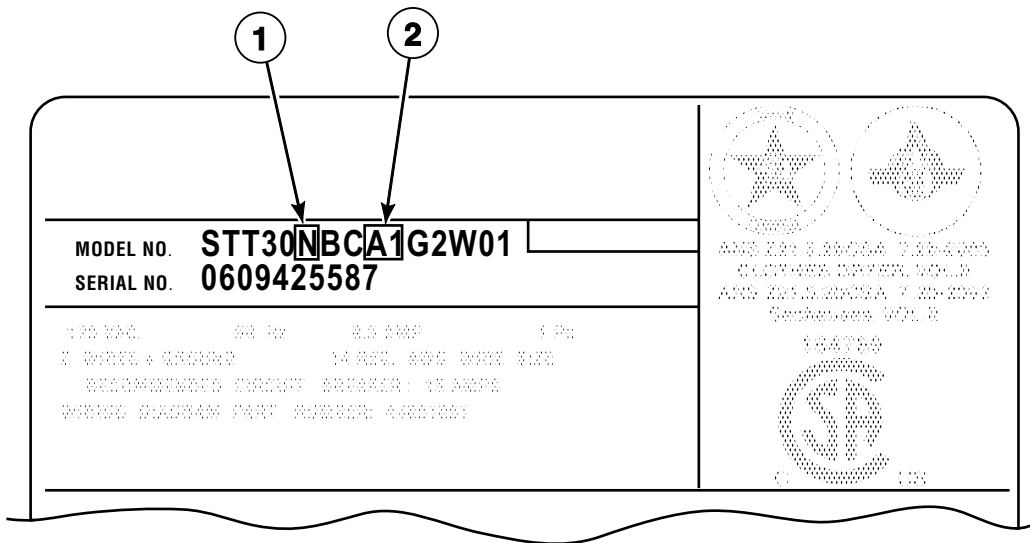
TMB1974N_70304801

Model Identification

Information in this manual is applicable to these tumbler models:

CHD30STE2-CTT30E	GAT30L	KAT30L	SAT30L
CHD30STE2-CUT30E	GAT30N	KAT30N	SAT30N
CHD30STG2-CAT30L	GAT45L	KAT45L	SAT45L
CHD30STG2-CAT30N	GAT45N	KAT45N	SAT45N
CHD30STG2-CTT30L	GKT30N	KKT30N	SKT30N
CHD30STG2-CTT30N	GKT45N	KKT45N	SKT45N
CHD30STG2-CUT30L	GTT30E	KTT30E	STT30D
CHD30STG2-CUT30N	GTT30L	KTT30L	STT30E
CHD30STS2-CTT30S	GTT30N	KTT30N	STT30L
CHD30STS2-CUT30S	GTT30S	KTT30S	STT30N
CKT30N	GTT45L	KTT45L	STT30S
CKT45N	GTT45N	KTT45N	STT45D
CTT45L	GUT30E	KUT30E	STT45L
CTT45N	GUT30L	KUT30L	STT45N
DR335	GUT30N	KUT30N	SUT30E
DR335G2-BKT30N	GUT30S	KUT30S	SUT30L
DR445G2-BAT45L	GUT45L	KUT45L	SUT30N
DR445G2-BAT45N	GUT45N	KUT45N	SUT30S
DR445G2-BKT45N	HAT30L	LAT30L	SUT45L
DR445G2-BTT45D	HAT30N	LAT30N	SUT45N
DR445G2-BTT45L	HAT45L	LKT30N	UAT30L
DR445G2-BTT45N	HAT45N	LKT45N	UAT30N
DR445G2-BUT45L	HKT30N	LTT30E	UAT45L
DR445G2-BUT45N	HKT45N	LTT30L	UAT45N
DRST30E2-BTT30E	HTT30D	LTT30N	UKT30N
DRST30E2-BUT30E	HTT30E	LTT30S	UKT45N
DRST30G2-BAT30L	HTT30L	LUT30E	UTT30E
DRST30G2-BAT30N	HTT30N	LUT30L	UTT30L
DRST30G2-BTT30D	HTT30S	LUT30N	UTT30N
DRST30G2-BTT30L	HTT45D	LUT30S	UTT30S
DRST30G2-BTT30N	HTT45L	MTT30N	UTT45L
DRST30G2-BUT30L	HTT45N	MTT45N	UTT45N
DRST30G2-BUT30N	HUT30E	NTT30N	UUT30E
DRST30S2-BTT30S	HUT30L	NTT45N	UUT30L
DRST30S2-BUT30S	HUT30N	PAT30L	UUT30N
DRST45G2-BAT45L	HUT30S	PAT30N	UUT30S
DRST45G2-BAT45N	HUT45L	PKT30N	UUT45L
DRST45G2-BTT45D	HUT45N	PKT45N	UUT45N
DRST45G2-BTT45L	IPD30STE2	PTT30E	
DRST45G2-BTT45N	IPD30STG2	PTT30L	
DRST45G2-BUT45L	IPD30STS2	PTT30N	
DRST45G2-BUT45N	IPD45STG2	PTT30S	
	ITT30E	PUT30E	
	ITT30L	PUT30L	
	ITT30N	PUT30N	
	ITT30S	PUT30S	
	ITT45L		
	ITT45N		

Product Overview - Heat Source and Voltage

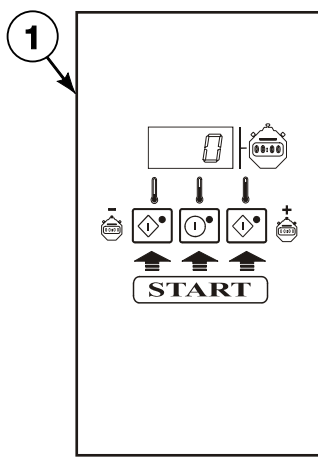
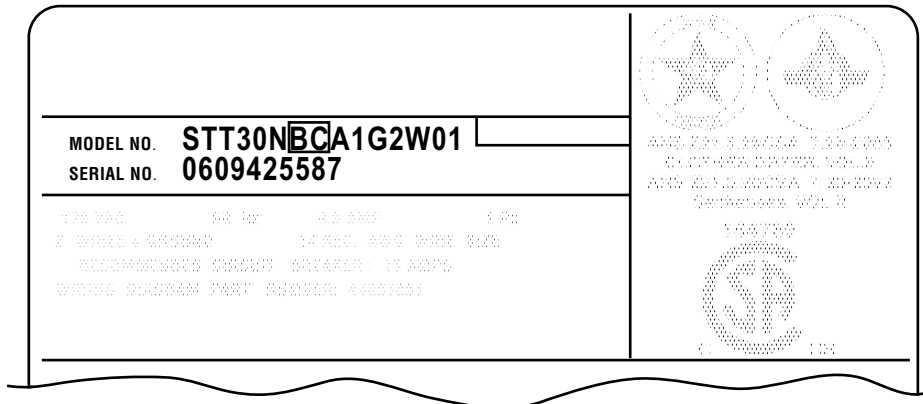


TMB2736P_70304801

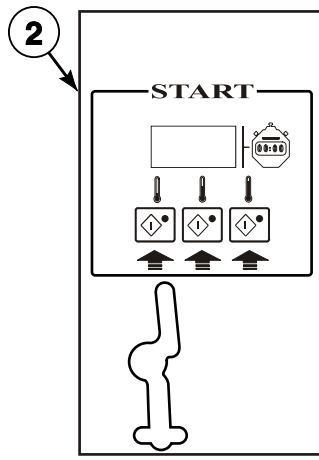
Product Overview - Heat Source and Voltage

REF	PART NO.	DESCRIPTION	COMMENTS
1	-	Heat Source	D: Liquid Petroleum Gas (L.P) E: Electric L: Liquid Petroleum Gas (L.P.) N: Natural Gas (N.G.) S: Steam
2	-	Voltage	A1: 100, 200 Volt/50 Hertz/1 Phase A2: 100, 200-220 Volt/60Hertz/1 Phase B2: 120, 208-240 Volt/60 Hertz/1 Phase F1: 200 Volt/50 Hertz/1 Phase F2: 200 Volt/60 Hertz/1 Phase F4: 200 Volt/50 Hertz/3 Phase F5: 200-208 Volt/60 Hertz/3 Phase F6: 200-208, 240 Volt/60 Hertz/3 Phase G1: 208 Volt/60 Hertz/1 Phase G2: 208-240 Volt/60 Hertz/1 Phase J1: 230 Volt/50 Hertz/1 Phase J2: 230-240 Volt/50 Hertz/1 Phase J4: 240 Volt/60 Hertz/1 Phase J5: 230 Volt/50 Hertz/3 Phase J6: 230-240 Volt/50 Hertz/3 Phase J8: 240 Volt/60 Hertz/3 Phase M1: 380 Volt/50 Hertz/3 Phase M2: 380, 400-415 Volt/50 Hertz/3 Phase M3: 380 Volt/60 Hertz/3 Phase N1: 400-415 Volt/50 Hertz/3 Phase P1: 440 Volt/60 Hertz/3 Phase Q1: 460-480 Volt/60 Hertz/3 Phase

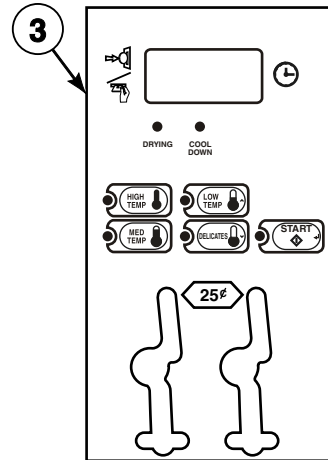
Product Overview - Control Suffixes (Drawing 1 of 3)



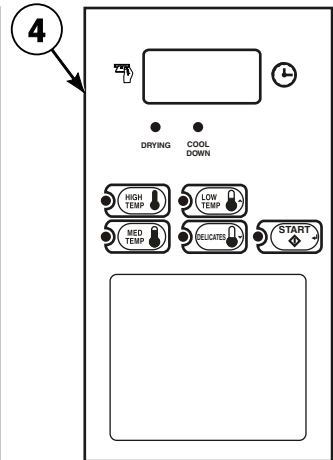
30
Control Suffixes



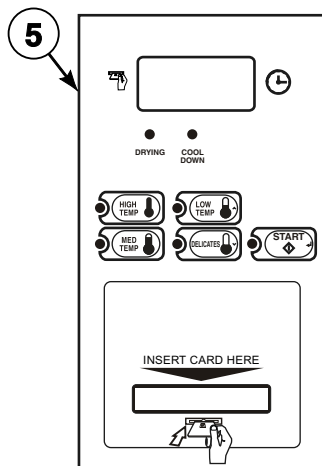
3V and 3X
Control Suffixes



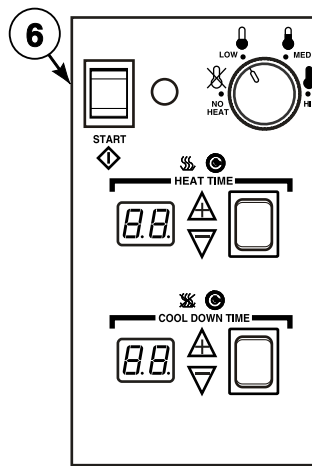
BC and BX
Control Suffixes



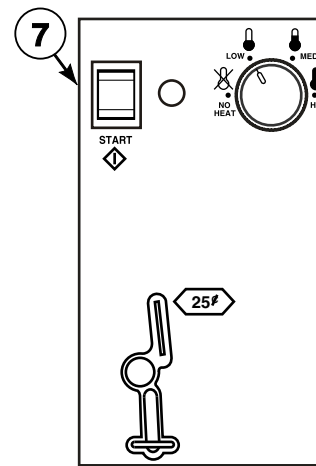
BG and BL
Control Suffixes



BY
Control Suffix



QT
Control Suffix



SD and SX
Control Suffixes

TMB2777P_70304801

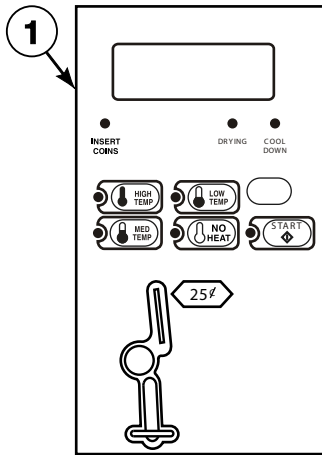
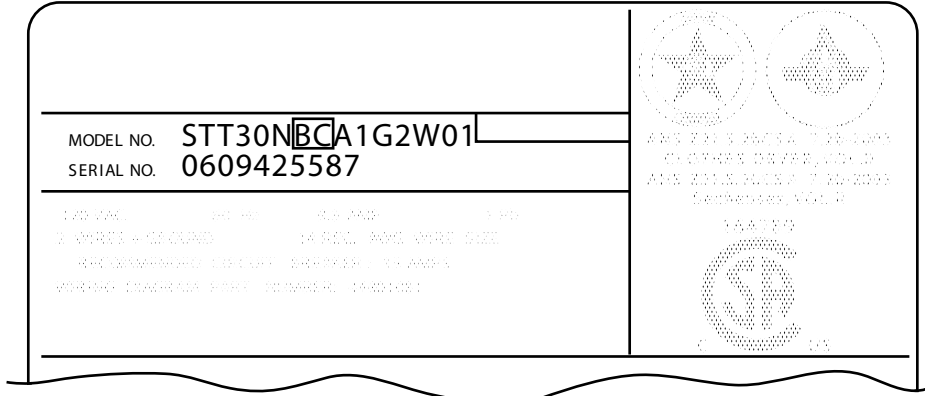
Product Overview - Control Suffixes (Drawing 1 of 3)

REF	PART NO.	DESCRIPTION	COMMENTS
1	-	Control - Nonreversing	30: DX4 OPL
2	-	Control - Nonreversing	3V: DX4 vended 3X: DX4 prep for coin
3	-	Control - Nonreversing	BC: basic electronic, coin BX: basic electronic, prep for coin
4	-	Control - Nonreversing	BG: basic electronic, OPL BL: basic electronic, central pay
5	-	Control - Nonreversing	BY: basic electronic, prep for card
6	-	Control - Nonreversing	QT: dual digital timer
7	-	Control - Nonreversing	SD: single drop SX: single drop, prep for coin

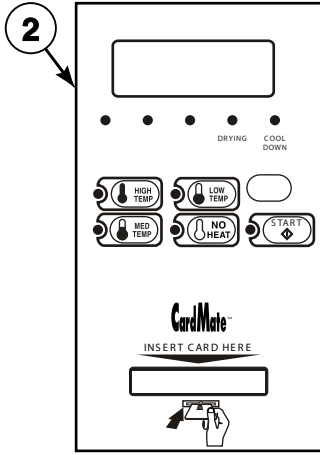
NOTE: Coin models have the following control suffixes: 3V, 3X, BC, BX, SD and SX

NOTE: OPL models have the following control suffixes: 30, BG, BL, BY and QT

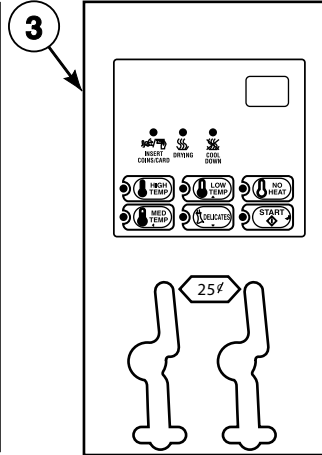
Product Overview - Control Suffixes (Drawing 2 of 3)



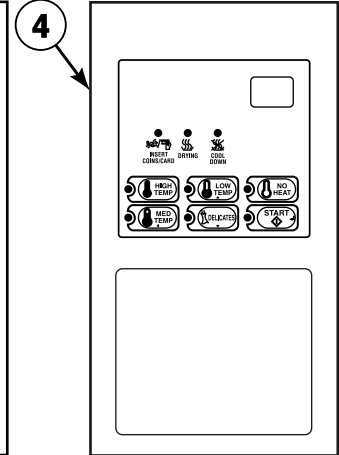
NC, NX, ZC and ZX
Control Suffixes



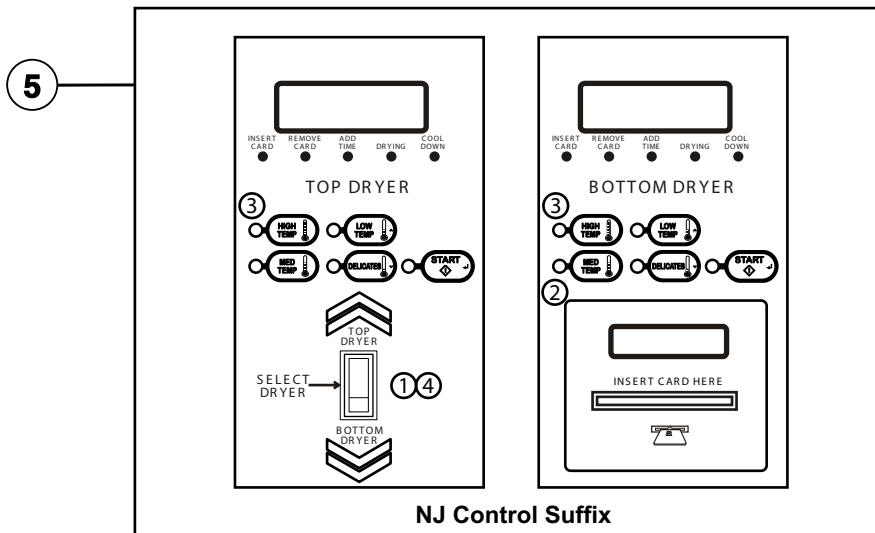
NR, NY, ZR and ZY
Control Suffixes



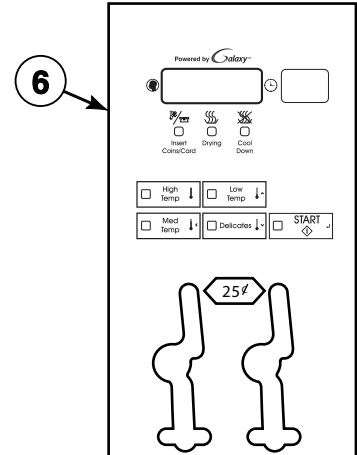
LC, LX, WC and WX
Control Suffixes



LY and WY
Control Suffixes



NJ Control Suffix



KC, KX and KY
Control Suffixes

TMB3192P_70304801

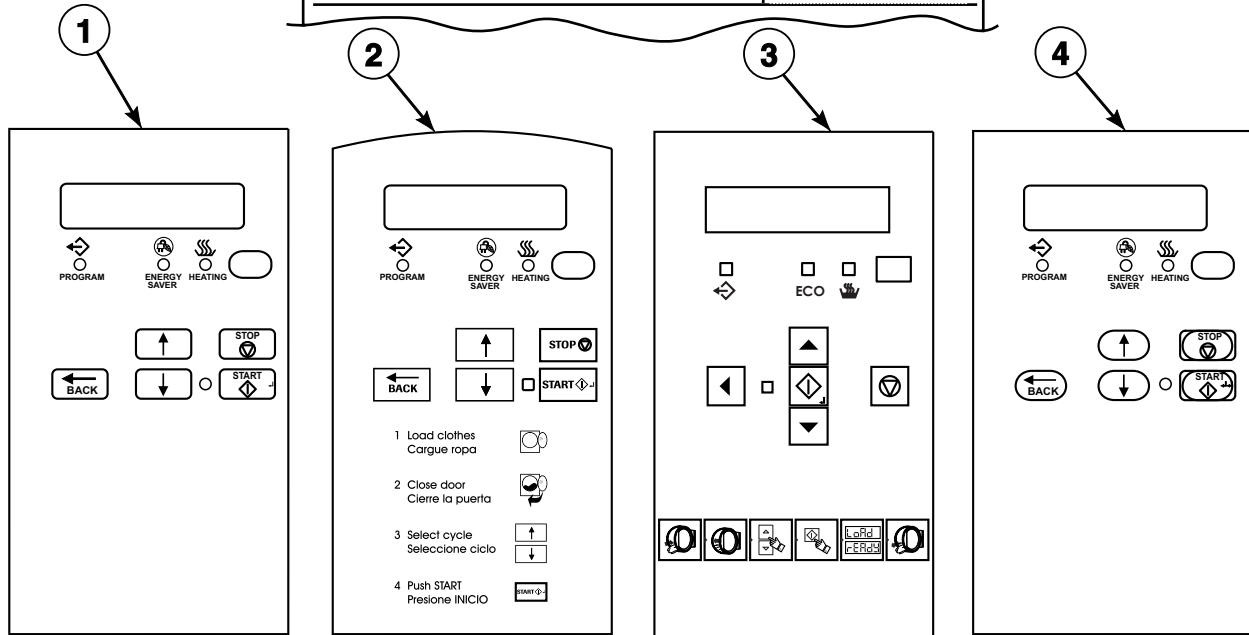
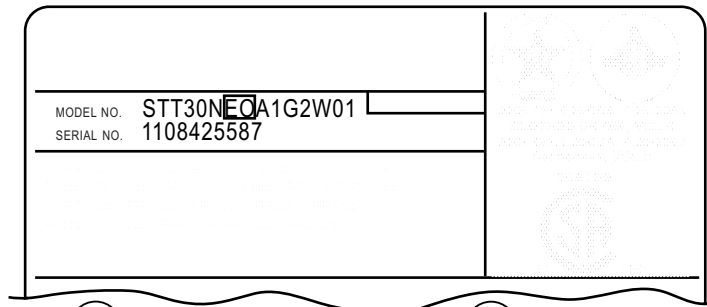
Product Overview - Control Suffixes (Drawing 2 of 3)

REF	PART NO.	DESCRIPTION	COMMENTS
1	-	Control - Nonreversing	NC: NetMaster coin NX: NetMaster, prep for coin ZC: NetMaster network coin ZX: NetMaster network, prep for coin
2	-	Control - Nonreversing	NR: NetMaster card NY: NetMaster, prep for card ZR: NetMaster network card ZY: NetMaster network, prep for card
3	-	Control - Nonreversing	LC: network adaptable coin LX: network adaptable, prep for coin WC: network ready coin WX: network ready, prep for coin
4	-	Control - Nonreversing	LY: network adaptable, prep for card WY: network ready, prep for card
5	-	Control - Nonreversing	NJ: micro, prep single card reader
6	-	Control - Nonreversing	KC: single coin KX: prep for coin KY: prep for card

NOTE: Coin models have the following control suffixes: KC, KX, KY, LC, LX, LY, NC, NX, WC, WX, WY, ZC and ZX

NOTE: OPL models have the following control suffixes: NJ, NR, NY, ZR and ZY

Product Overview - Control Suffixes (Drawing 3 of 3)

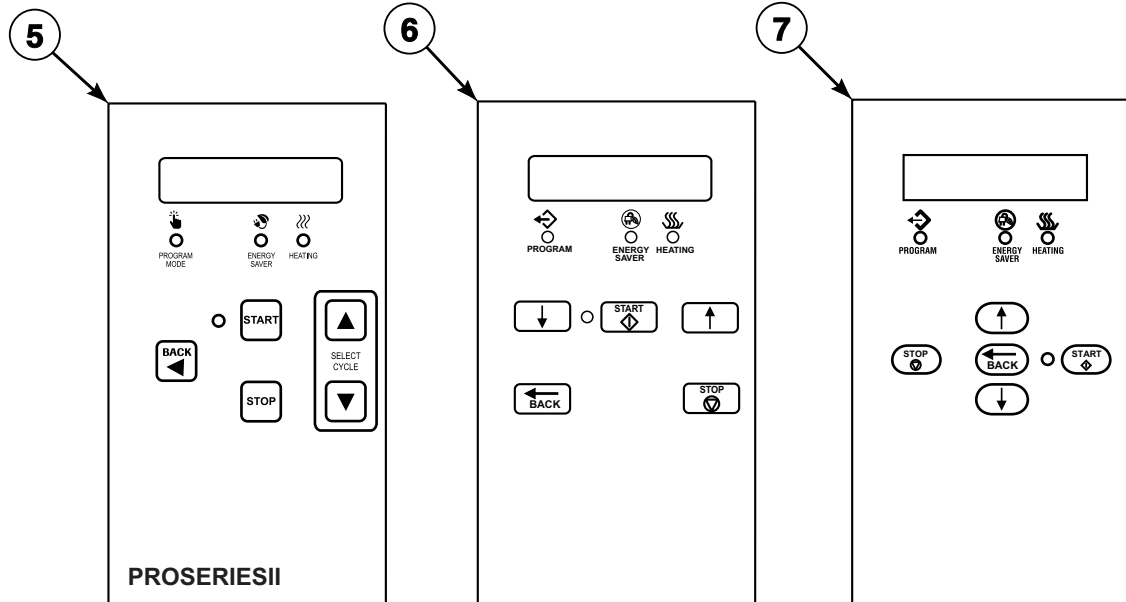


EO Control Suffix

EO Control Suffix

EO Control Suffix

EO Control Suffix



EO Control Suffix

EO Control Suffix

EO Control Suffix

TMB3150P_70304801

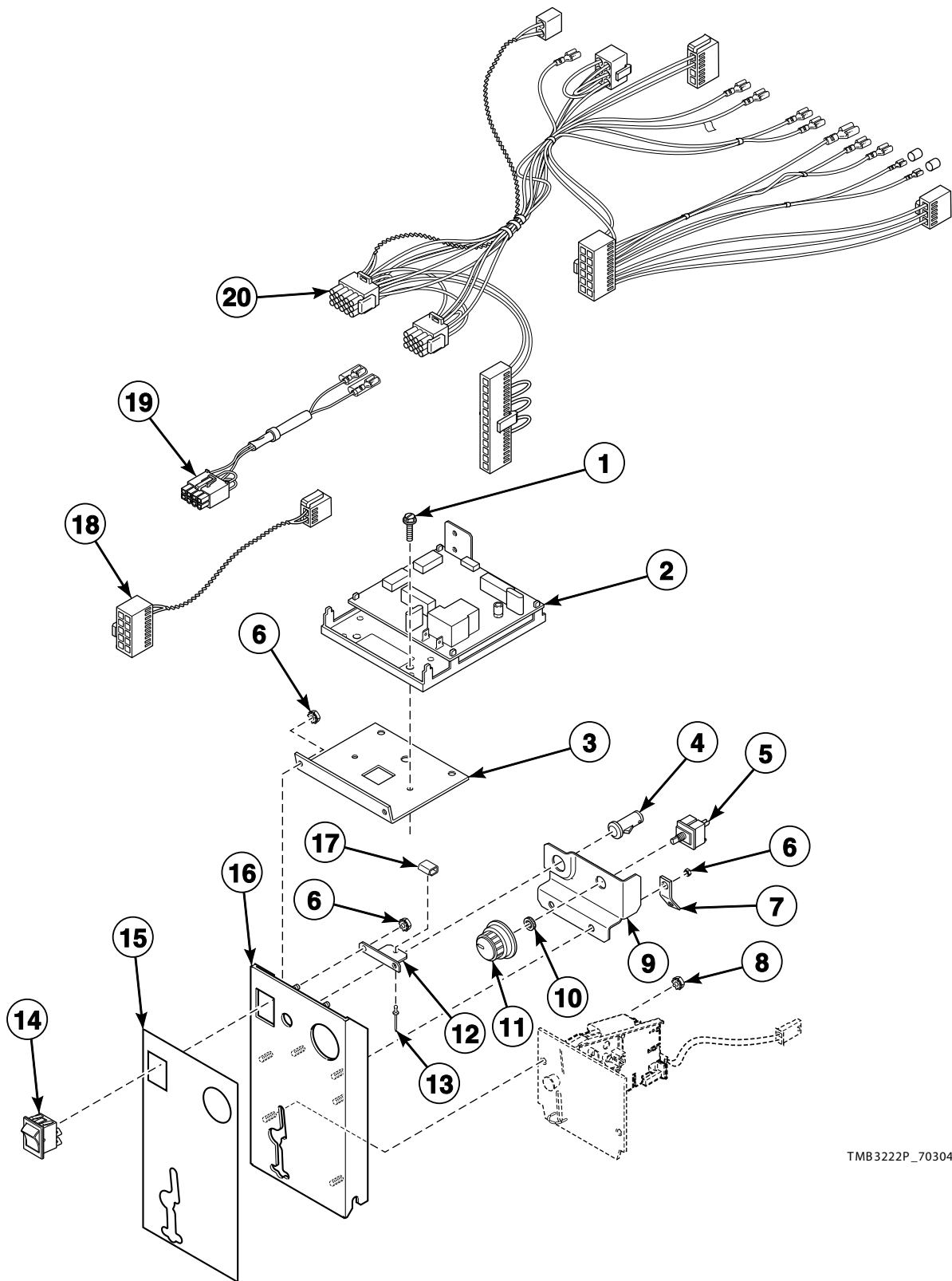
Product Overview - Control Suffixes (Drawing 3 of 3)

REF	PART NO.	DESCRIPTION	COMMENTS
1	-	Control - Nonreversing	S models; EO: LED OPL
2	-	Control - Nonreversing	H models; EO: LED OPL
3	-	Control - Nonreversing	C, D and I models; EO: LED OPL
4	-	Control - Nonreversing	U models; EO: LED OPL
5	-	Control - Nonreversing	G and K models; EO: LED OPL
6	-	Control - Nonreversing	P models; EO: LED OPL
7	-	Control - Nonreversing	L models; EO: LED OPL

NOTE: OPL models have the following control suffixes: EO

Single Drop Control Components

T30 C, H, I and S Models with SD and SX Control Suffixes



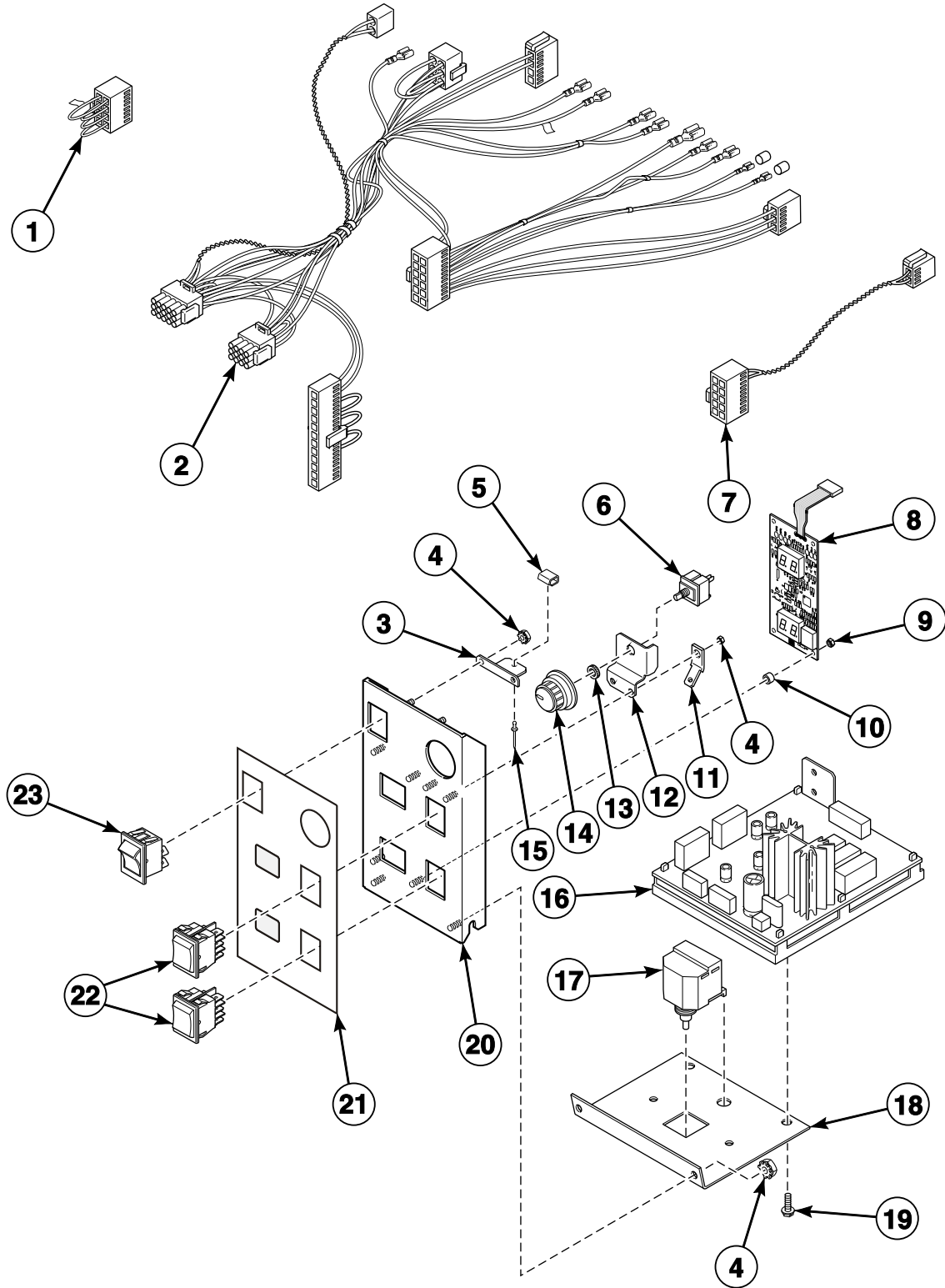
TMB3222P_70304801

Single Drop Control Components

REF	PART NO.	DESCRIPTION	COMMENTS
	70346001P	Main Harness	Electric models need 55881 Harness Strap; Models through 1/15/12
	70441401	Main Harness	Electric models need 55881 Harness Strap; Models starting 1/16/12
1	501524	Screw	
2	513139P	Control Assembly	
3	70357902	Control Chassis Mounting Bracket	
4	801431	Light	
5	511711	Temperature Selector Switch	
6	70054	Nut	
7	00177	Male Tab Terminal	
8	29786	Nut	
9	70350201	Temperature Selector Bracket	
10	24205	Nut	
11	44104601	Temperature Knob	
12	70119801	Latch Mounting Bracket	
13	M400003	Pop Rivet	
14	70455101	Rocker Switch	Start
15	70362001	Overlay	H models
	70361901	Overlay	All other models
16	70365801	Control Door Assembly	H models; Includes studs
	70365101	Control Door Assembly	All other models
17	431318	Control Door Latch	
18	70324603	Jumper Calibration Wire	SD control suffix
19	70364104P	Coin Vault Switch Harness	Non-CE models
20	70369001	Control Panel Harness	C, H, I and S non-CE and non-Australian models with SD control suffix
	70367101	Control Panel Harness	C, H and S Australian and CE models with SD control suffix

Dual Digital Timer Components

C, H, I, S and U Models with QT Control Suffix
G and K Models Starting 1/16/12



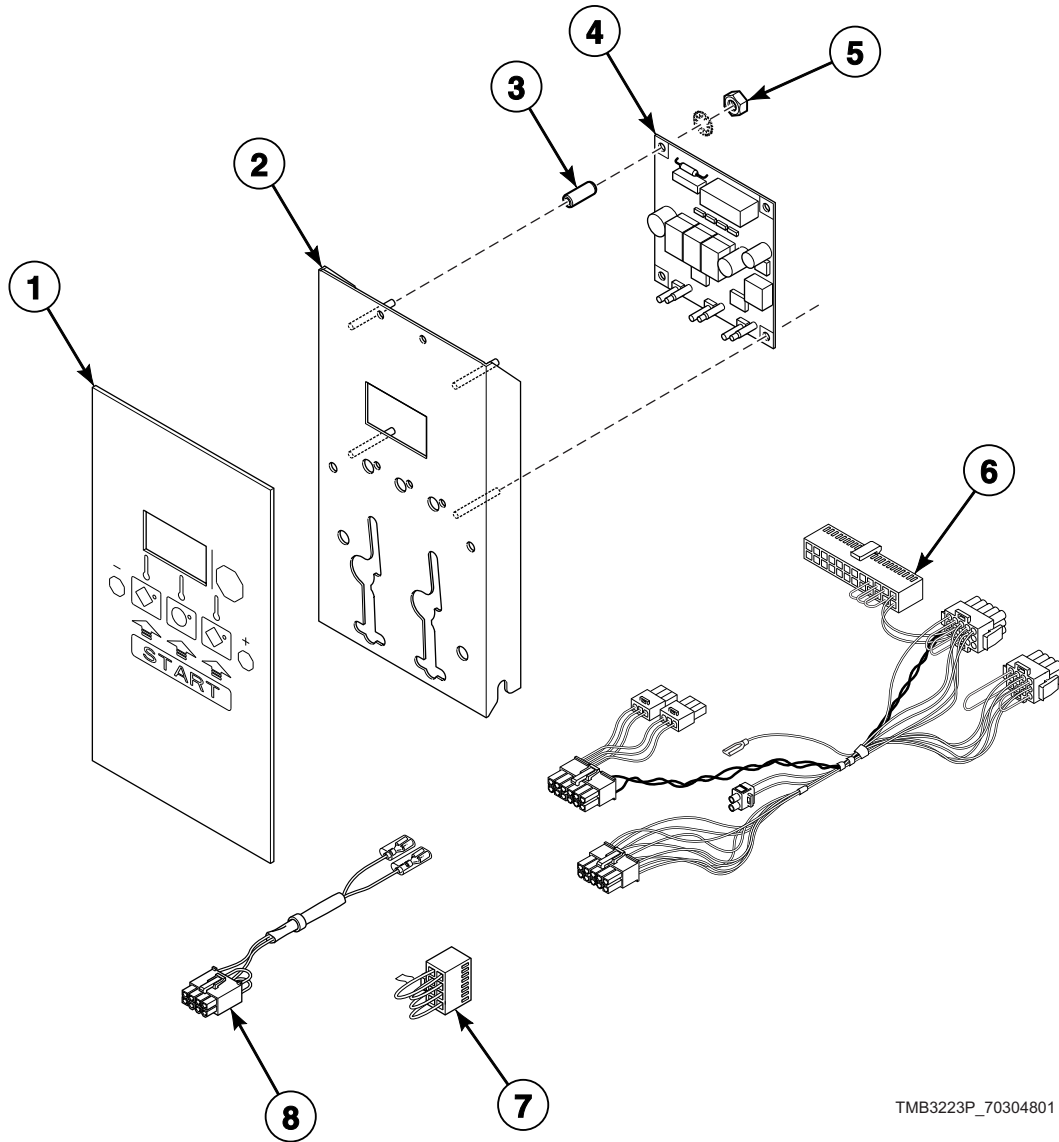
TMB2397P_70304801

Dual Digital Timer Components

REF	PART NO.	DESCRIPTION	COMMENTS
	70346001P	Main Harness	Electric models need 55881 Harness Strap; Models through 1/15/12
	70441401	Main Harness	Electric models need 55881 Harness Strap; Models starting 1/16/12
1	70364103	Bypass Harness	Non-CE models
2	70367001P	Control Panel Harness	
3	70119801	Latch Mounting Bracket	
4	70054	Nut	
5	431318	Control Door Latch	
6	511711	Temperature Selector Switch	
7	70324603	Jumper Calibration Wire	
8	512218P	Display Assembly	
9	29787	Nut	4 required
10	56079	Panel Locator	4 required
11	00177	Male Tab Terminal	
12	70391701	Temperature Selector Switch Bracket	
13	24205	Nut	
14	44104601	Temperature Knob	
15	M400003	Pop Rivet	
16	512202P	Control Assembly	
17	M4860P3	Buzzer Kit	Includes harness
18	70357901	Control Chassis Mounting Bracket	
19	501524	Screw	
20	70365601	Control Plate Assembly	H models; Includes studs
	70361201	Control Door Assembly	All other models; Includes studs
21	70361401	Overlay	H models
	70361301	Overlay	All other models
22	70461301	Rocker Switch	Black button
23	70455101	Rocker Switch	Green button; Start

DX4 Control Components

C, D and I Models with 3O, 3V and 3X Control Suffixes



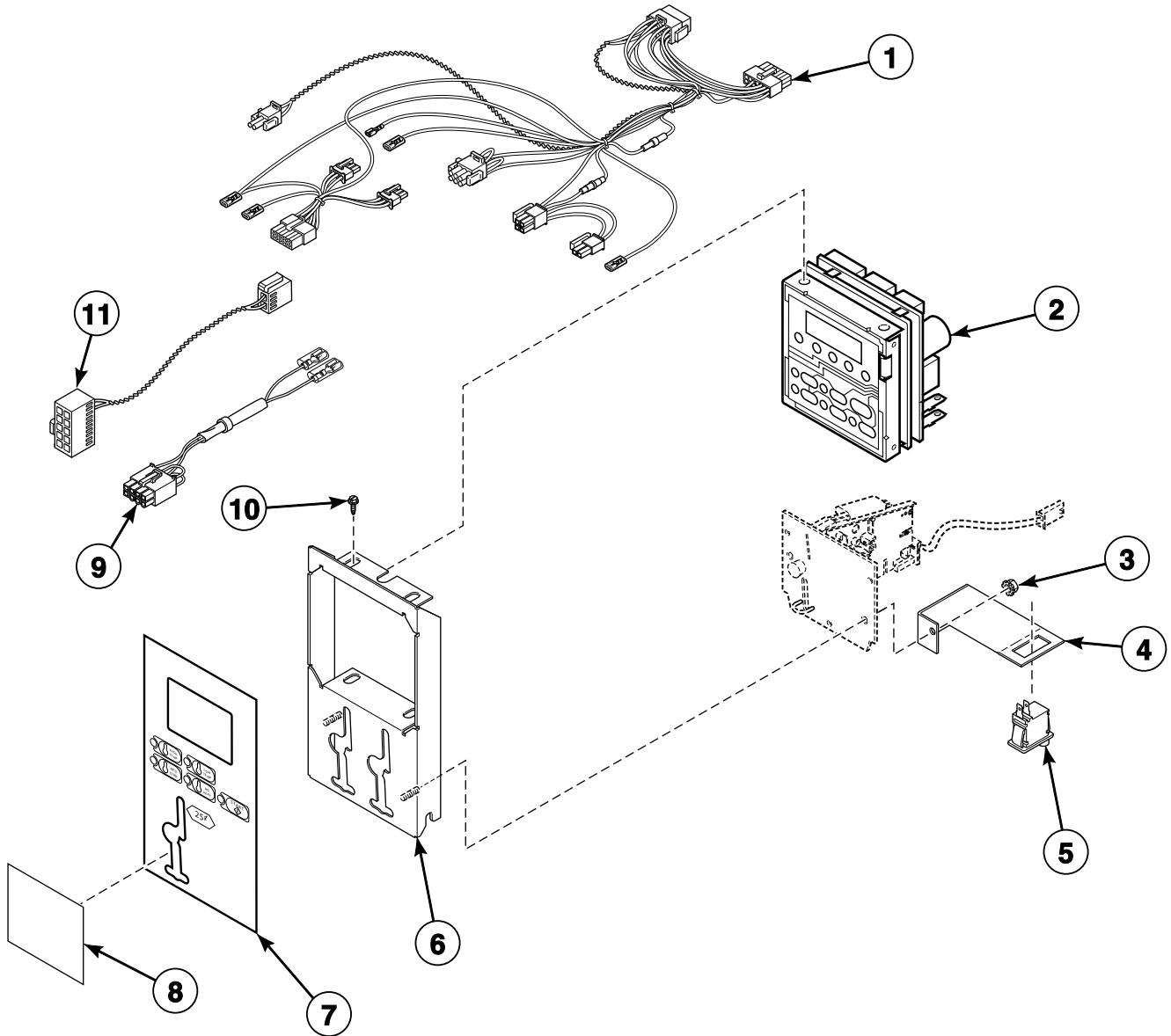
TMB3223P_70304801

DX4 Control Components

REF	PART NO.	DESCRIPTION	COMMENTS
	70441401	Main Harness	Models starting 1/16/12
1	70279101	Graphic Overlay	OPL; Models through 7/31/11
	70468201	Graphic Overlay	OPL; Models starting 8/1/11
	70279201	Graphic Overlay	Coin; Single drop; Models through 7/31/11
	70462601	Graphic Overlay	Coin; Single drop; Models starting 8/1/11
	70279202	Graphic Overlay	Coin; Dual drop; Models through 7/31/11
	70462602	Graphic Overlay	Coin; Dual drop; Models starting 8/1/11
2	70279301P	Control Plate Kit	
3	44050601	Sleeve	4 required
4	70462303P	Control Assembly	Non-CE and non-Australian models; 3O control suffix
	70462304P	Control Assembly	CE and Australian models; 3O control suffix
	70462367P	Control Assembly	Non-CE and non-Australian models; 3V and 3X control suffixes
	70462368P	Control Assembly	CE and Australian models; 3V and 3X control suffixes
5	29787	Nut	
6	70315601P	Control Panel Harness	Non-CE and non-Australian models
	70315701	Control Panel Harness Assembly	C and D CE and Australian models
7	70364103	Bypass Harness	3O, 3W, 3X and R3 control suffixes; Non-CE models
8	70364104P	Coin Vault Switch Harness	3V and 3B control suffixes; Non-CE models

Coin Drop Components for MDC Models

G T30, H, K, L, P and S Models with BC and BX Control Suffixes



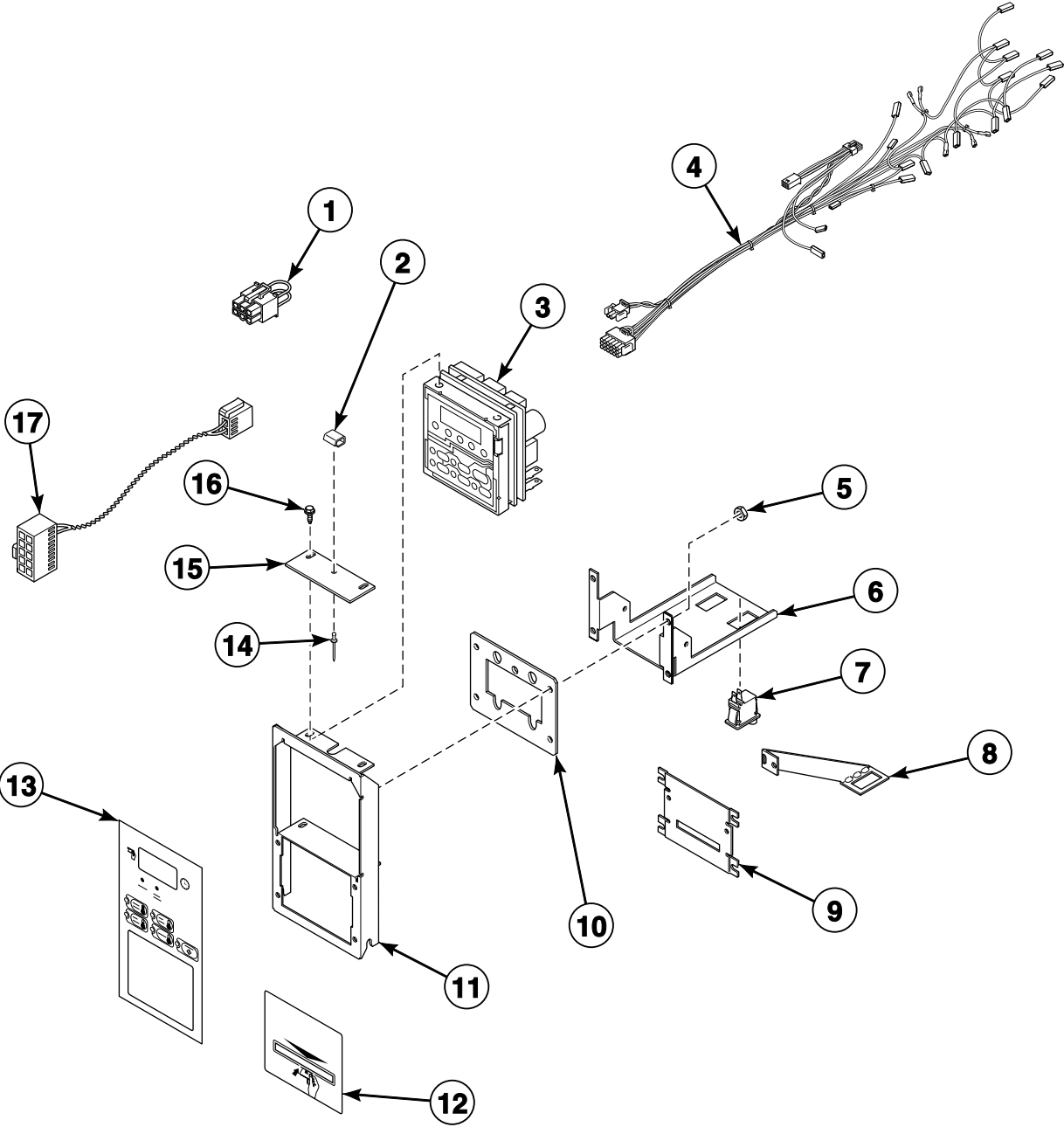
TMB3255P_70304801

Coin Drop Components for MDC Models

REF	PART NO.	DESCRIPTION	COMMENTS
	70346001P	Main Harness	Electric models need 55881 Harness Strap; Models through 1/15/12
	70441401	Main Harness	Electric models need 55881 Harness Strap; Models starting 1/16/12
1	70315501P	Control Panel Harness	Control panel to main harness
2	511867P	Control Assembly	
3	29786	Nut	3 required
4	70183901	Audit Switch Bracket	
5	70413301	Pushbutton Switch	Coin vault switch
6	70291101P	Control Plate Kit	S models
	70291201P	Control Plate Kit	H models
7	70257801	Overlay	L and S models; Single drop; Text
	70257802	Overlay	S models; Dual drop; Text
	70261101	Overlay	L and S models; Single drop; Icon
	70261102	Overlay	S models; Dual drop; Icon
	70258101	Overlay	H models; Single drop
	70258102	Overlay	H models; Dual drop
	70261301	Overlay	H models; Single drop; Icon
	70452601	Overlay	G and K models; Upper; Single drop; Text
	70452602	Overlay	G and K models; Upper; Dual drop; Text
	70452701	Overlay	G and K models; Lower; Single drop; Text
	70452702	Overlay	G and K models; Lower; Dual drop; Text
	8	70321001	Overlay
70129501		Overlay	P models; Upper; Single drop
70129601		Overlay	P models; Upper; Dual drop
70129701		Overlay	P models; Lower; Single drop
70129801		Overlay	P models; Lower; Dual drop
9	70364104P	Coin Vault Switch Harness	Non-CE models
10	501524	Screw	4 required for mounting control
11	70324603	Jumper Calibration Wire	

Card Reader Components for MDC Models

G, H, K, L, M, N, P and S Models with BG, BL and BY Control Suffixes



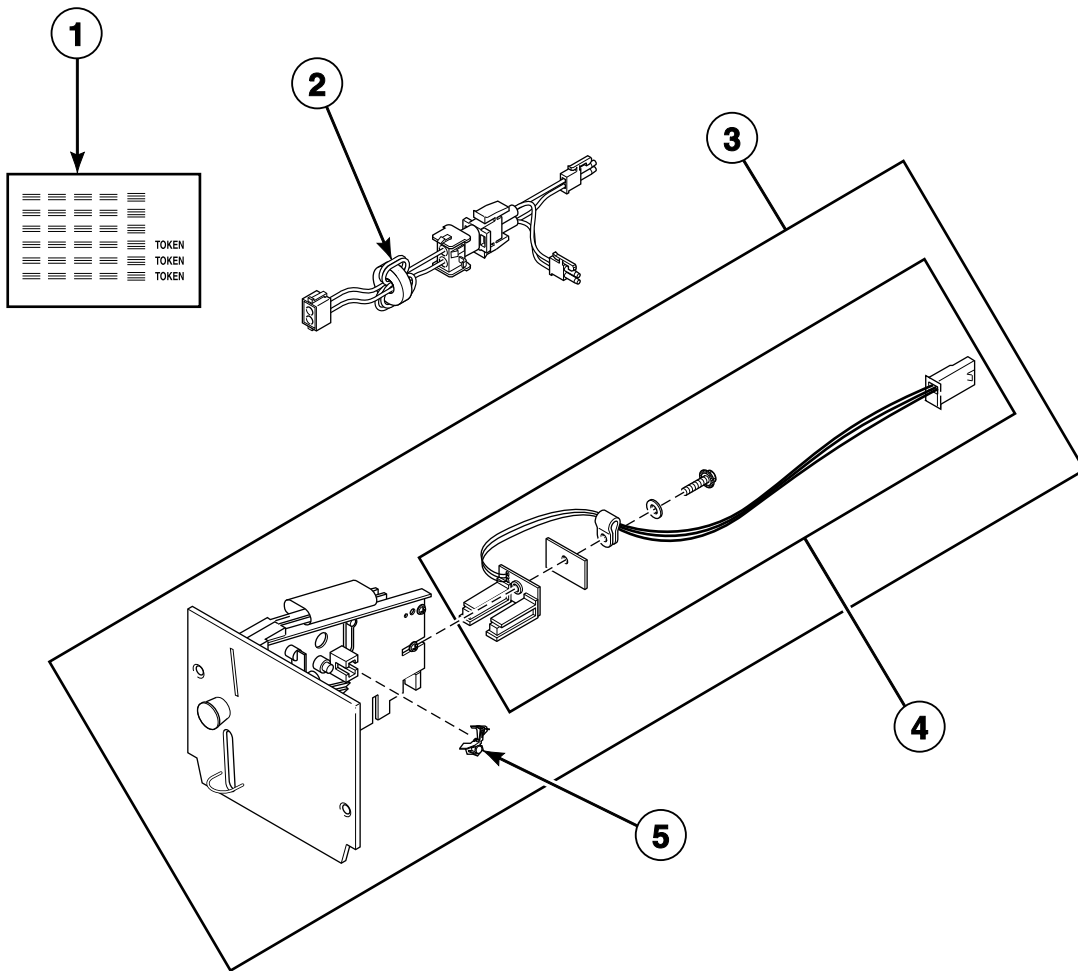
TMB3256P_70304801

Card Reader Components for MDC Models

REF	PART NO.	DESCRIPTION	COMMENTS
	70346001P	Main Harness	Electric models need 55881 Harness Strap; Models through 1/15/12
	70441401	Main Harness	Electric models need 55881 Harness Strap; Models starting 1/16/12
1	70364103	Bypass Harness	Non-CE models
2	431318	Control Door Latch	
3	511867P	Control Assembly	
4	70368001P	Control Panel Harness	GK, GT, HK, HT, KK, KT, LK, LT, MT, NT, PK, PT, SK and ST models
	70315501P	Control Panel Harness	GA, GU, HA, HU, KA, KU, LA, LU, PA, PU, SA and SU models
5	70054	Nut	
6	70119001	Chassis Mounting Bracket	Use with item 1
7	70413301	Pushbutton Switch	Coin vault switch
8	70183901	Audit Switch Bracket	Use with item 7
9	44089501	Slot Card Plate Assembly	
10	70208801	Mounting Plate	
11	70348901	Control Plate Assembly	G, K, L, M, P and S models
	70349001	Control Plate Assembly	H and N models
12	70334201	Card Reader Overlay	S models; Black; Included in literature packet
	70334301	Card Reader Overlay	H models; Gray; Included in literature packet
	70286701	Overlay	P models with BL control suffix; Upper
	70275401	Overlay	H models with BL control suffix
	70286801	Overlay	P models with BL control suffix; Lower
13	70335801	Overlay	L, P and S models; Text and icon
	70336001	Overlay	H models; Text and icon
	70351501	Overlay	M models
	70304201	Overlay	N models; Text and icon
	70452801	Overlay	G and K models; Upper; BG and BL control suffixes
	70452901	Overlay	G and K models; Lower; BG and BL control suffixes
14	M400003	Pop Rivet	
15	70184501	Latch Mounting Bracket	
16	501524	Screw	4 required
17	70324603	Jumper Calibration Wire	

Coin Drops

All Models Except U Models



TMB2921P_70304801

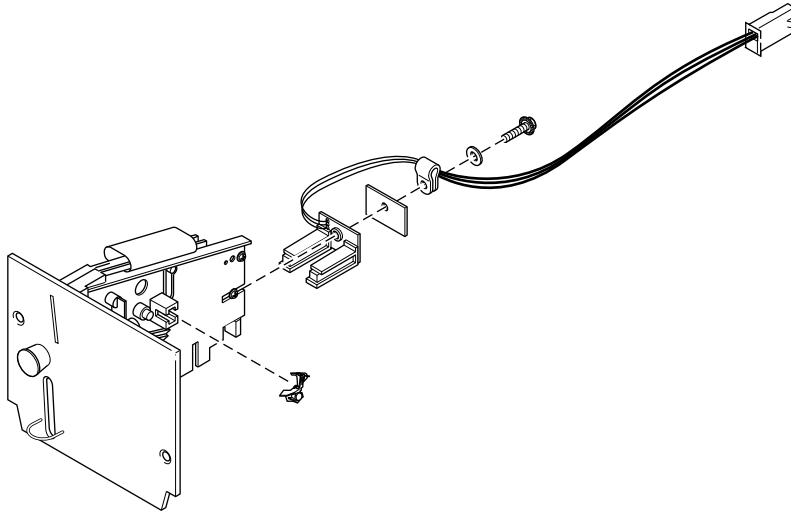
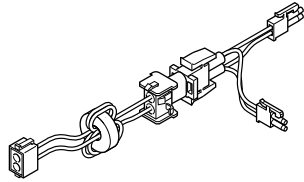
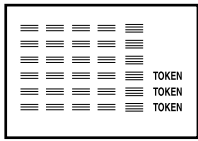
Coin Drops

REF	PART NO.	DESCRIPTION	COMMENTS
1	38725	Coin Identification Paper	
2	44065801	Electronic Coin Drop Harness	
3	70294103P	Electronic Coin Drop Assembly	United Kingdom (default) and Europe
	70294104	Electronic Coin Drop Assembly	Europe (default), Denmark and Norway
	70294105P	Electronic Coin Drop Assembly	Australia (default), New Zealand, Hong Kong, South Korea and Malaysia
	70294106	Electronic Coin Drop Assembly	Mexico (default), Ecuador and United States
	70294107	Electronic Coin Drop Assembly	Lithuania (default), Latvia and Europe
	70294116	Electronic Coin Drop Assembly	Malaysia (default) and China
	70294117	Electronic Coin Drop Assembly	Russia; 5.00 and 10.00
	70294119	Electronic Coin Drop Assembly	Thailand; 1, 5 and 10 Baht
	70294120	Electronic Coin Drop Assembly	Chile; Chilean peso
	70294121	Electronic Coin Drop Assembly	Singapore
	70294111	Electronic Coin Drop Assembly	Euro; .10 - 2.00
	70441601P	Coin Drop	USA; \$.25
	70256402P	Coin Drop	USA; Dual; \$.25 and \$1.00
	70429001	Coin Drop	D models; USA
	38475	Coin Drop Assembly	Japan; 100 yen
	38519	Coin Drop Assembly	Japan; 100 and 500 yen
	38467	Coin Drop Assembly	Australia; .20 and 1.00
	70447301	Coin Drop Assembly	Australia; 1.00 and 2.00
	70482401	Coin Drop Assembly	New Zealand; 1.00 and 2.00
	39748	Coin Drop	HU, PU and SU models; Token; Jeton
	210195	Coin Drop Assembly	Euro; .20 and 1.00
	210196	Coin Drop Assembly	Euro; .50 and 1.00
	38462P	Coin Drop Assembly	Token; STD-118-1
	38463	Coin Drop Assembly	Token; STD-118-5
	70471601	Coin Drop Assembly	Token; 7K
	38464P	Coin Drop Assembly	Canada; .25
	70441602	Coin Drop Assembly	Canada; .25 and 1.00
38472	Coin Drop Assembly	England; 20 pence and 1 pound	
N/A	Coin Drop Assembly	Denmark; 1 and 5 DKK; May replace with 70294104 Electronic Coin Drop Assembly	
38521	Coin Drop Assembly	Korea; 100 and 500 won	
38963P	Coin Drop	Token; STD-118-16	
N/A	Coin Drop Assembly	Taiwan; Dual; 5 and 10 NT; May replace with CK113 Electronic Coin Drop Kit	
39157	Coin Drop Assembly	Israel; Shekel	
CK077	Coin Drop Kit	Taiwan; 10 NT	
4	200674P	Opto Coupler	
5	201595P	Wire Guard	

N/A = Part no longer available

Coin Drop Kits

All Models Except U Models



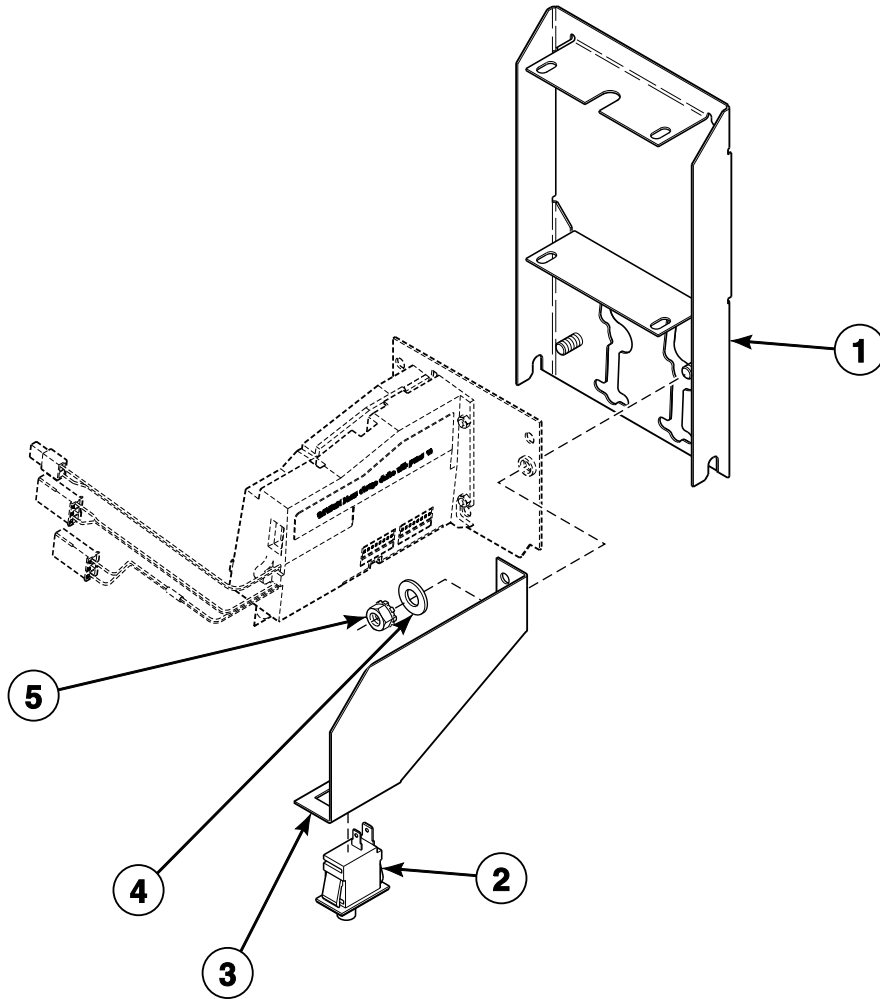
TMB2921PA_70304801

Coin Drop Kits

REF	PART NO.	DESCRIPTION	COMMENTS
	CK115	Electronic Coin Drop Kit	United States and Canada
	CK113	Electronic Coin Drop Kit	Japan and Taiwan
	CK099	Electronic Coin Drop Kit	Australia (default), New Zealand, Hong Kong, South Korea and Malaysia
	CK100	Electronic Coin Drop Kit	United Kingdom (default) and Europe
	CK101	Electronic Coin Drop Kit	Europe (default), Denmark and Norway
	CK103	Electronic Coin Drop Kit	Lithuania (default), Latvia and Europe
	CK108	Electronic Coin Drop Kit	South Africa
	CK109	Electronic Coin Drop Kit	Euro
	CK116	Electronic Coin Drop Kit	Malaysia (default) and China
	CK117	Electronic Coin Drop Kit	Russia
	CK118	Electronic Coin Drop Kit	Philippine
	CK119	Electronic Coin Drop Kit	Thailand
	CK120	Electronic Coin Drop Kit	Chile
	CK121	Electronic Coin Drop Kit	Singapore
	CK122	Electronic Coin Drop Kit	New Zealand; 1.00 and 2.00

Electronic Coin Drop Components

C, D, G, H, I, K, L, P and S Models with 3V, BC, KC, LC, NC, WC and ZC Control Suffixes



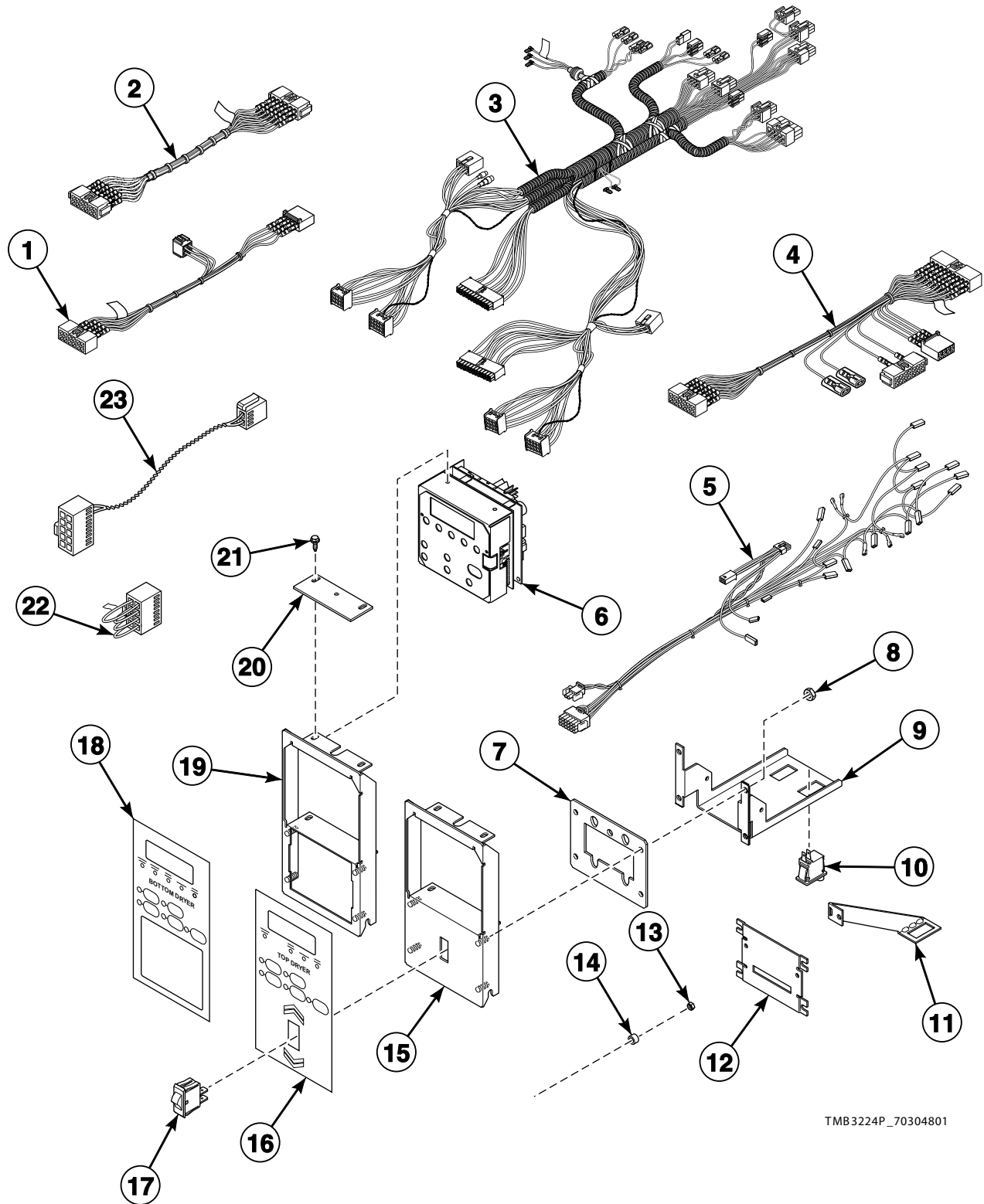
TMB1984K_70304801

Electronic Coin Drop Components

REF	PART NO.	DESCRIPTION	COMMENTS
1	70291101P	Control Plate Kit	C, D, G, I, K, L, P and S models
	70291201P	Control Plate Kit	H models
2	70413301	Pushbutton Switch	Coin vault switch
3	70292601	Audit Switch Bracket	
4	70292801	Washer	2 required
5	29786	Nut	2 required

Card Reader Components for Micro Models

K Models Through Serial No. 1101018349 with NJ Control Suffix



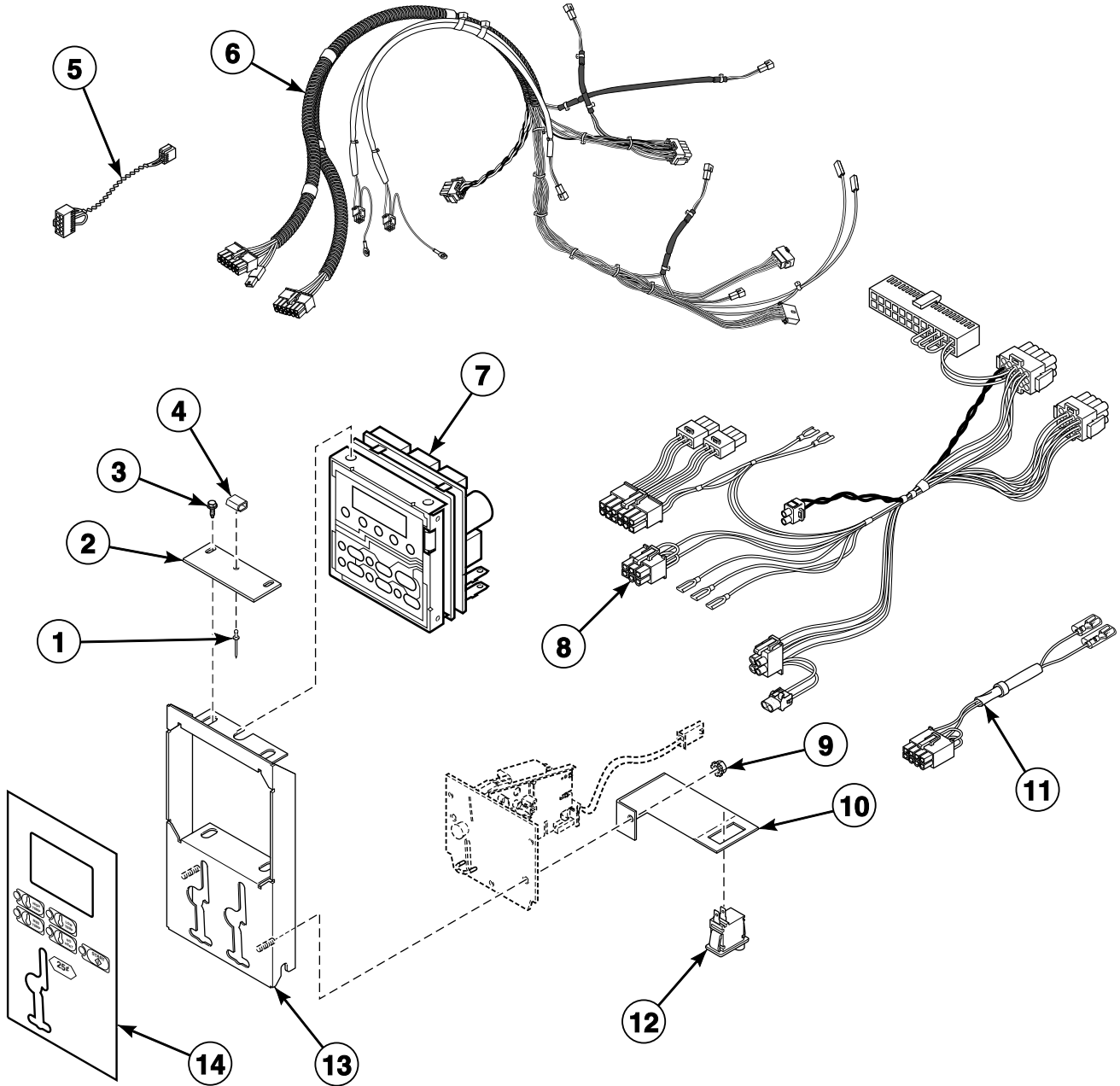
TMB 3224P_70304801

Card Reader Components for Micro Models

REF	PART NO.	DESCRIPTION	COMMENTS
	430497	Screw	
	36274	Wire Clip	
	70307003	Control Housing Cover	
1	70420101P	Lower Card Reader Harness	
2	70419901P	Main Harness	Single card reader; Electric models need 55881 Harness Strap
3	70346001P	Main Harness	Electric models need 55881 Harness Strap
4	70420001P	Upper Card Reader Harness	
5	70368001P	Control Panel Harness	KK and KT models
	70315501P	Control Panel Harness	KA and KU models
6	505905P	Control Kit	
7	70208801	Mounting Plate	
8	70054	Nut	
9	70119001	Chassis Mounting Bracket	
10	70413301	Pushbutton Switch	Coin vault switch
11	70183901	Audit Switch Bracket	Use with item 10
12	44089501	Slot Card Plate Assembly	
13	29787	Nut	
14	56079	Panel Locator	
15	70420201	Control Mounting Bracket Assembly	
16	70418001	Overlay	Upper
17	44099601	Rocker Switch	
18	70417901	Overlay	Bottom
19	70348901	Control Plate Assembly	
20	70184501	Latch Mounting Bracket	
21	501524	Screw	4 required
22	70364103	Bypass Harness	Non-CE models
23	70324603	Jumper Calibration Wire	

Coin Drop Components for NetMaster Models

KT Models Through Serial No. 1101018349 and ST Models Through Serial No. 0904004427
NC, NX, ZC and ZX Control Suffixes



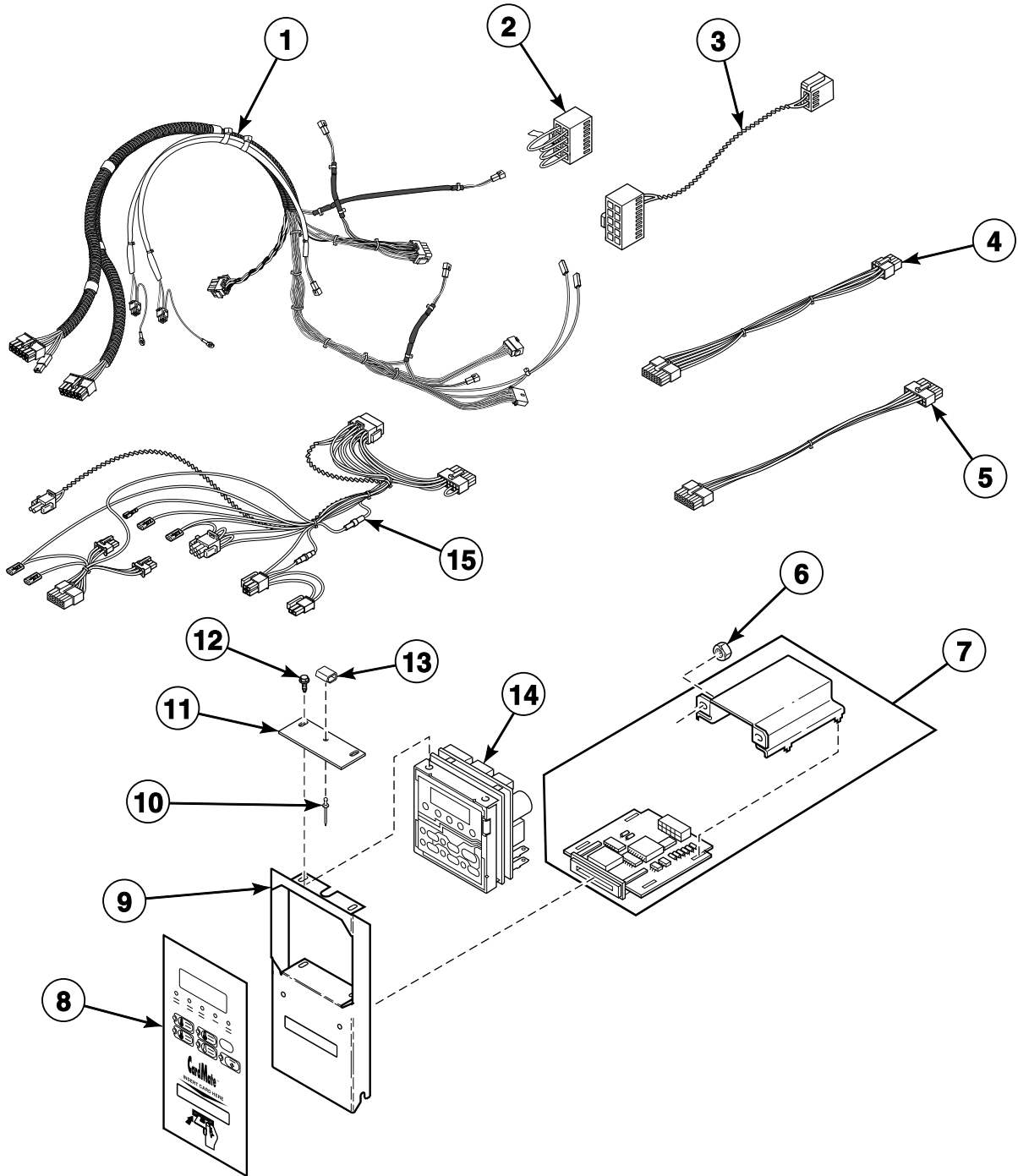
TMB2782P_70304801

Coin Drop Components for NetMaster Models

REF	PART NO.	DESCRIPTION	COMMENTS
	44147801	Overlay	K models
1	M400003	Pop Rivet	
2	70184501	Latch Mounting Bracket	
3	501524	Screw	4 required
4	431318	Control Door Latch	
5	70211703P	Jumper Calibration Assembly	
6	70346002P	Main Harness	Electric models need 55881 Harness Strap
7	505905P	Control Kit	Includes tape
8	70368001P	Control Panel Harness	
9	29786	Nut	
10	70292601	Audit Switch Bracket	
11	70364104P	Coin Vault Switch Harness	NC and ZC control suffixes; Non-CE models
12	70413301	Pushbutton Switch	Coin vault switch
13	70291101P	Control Plate Kit	
	70419501	Control Plate Assembly	K models
14	70184101	Overlay	Single drop
	70184102	Overlay	Dual drop
	70413601	Overlay	K models; NC and NX control suffixes; Single drop; Bottom
	70413602	Overlay	K models; NC and NX control suffixes; Dual drop; Bottom
	70413901	Overlay	K models; NC and NX control suffixes; Single drop; Upper
	70413902	Overlay	K models; NC and NX control suffixes; Dual drop; Upper

Card Reader Components for NetMaster Models

KT Models Through Serial No. 1101018349 and SA and ST Models Through Serial No. 0904004427
NR, NY, ZR and ZY Control Suffixes



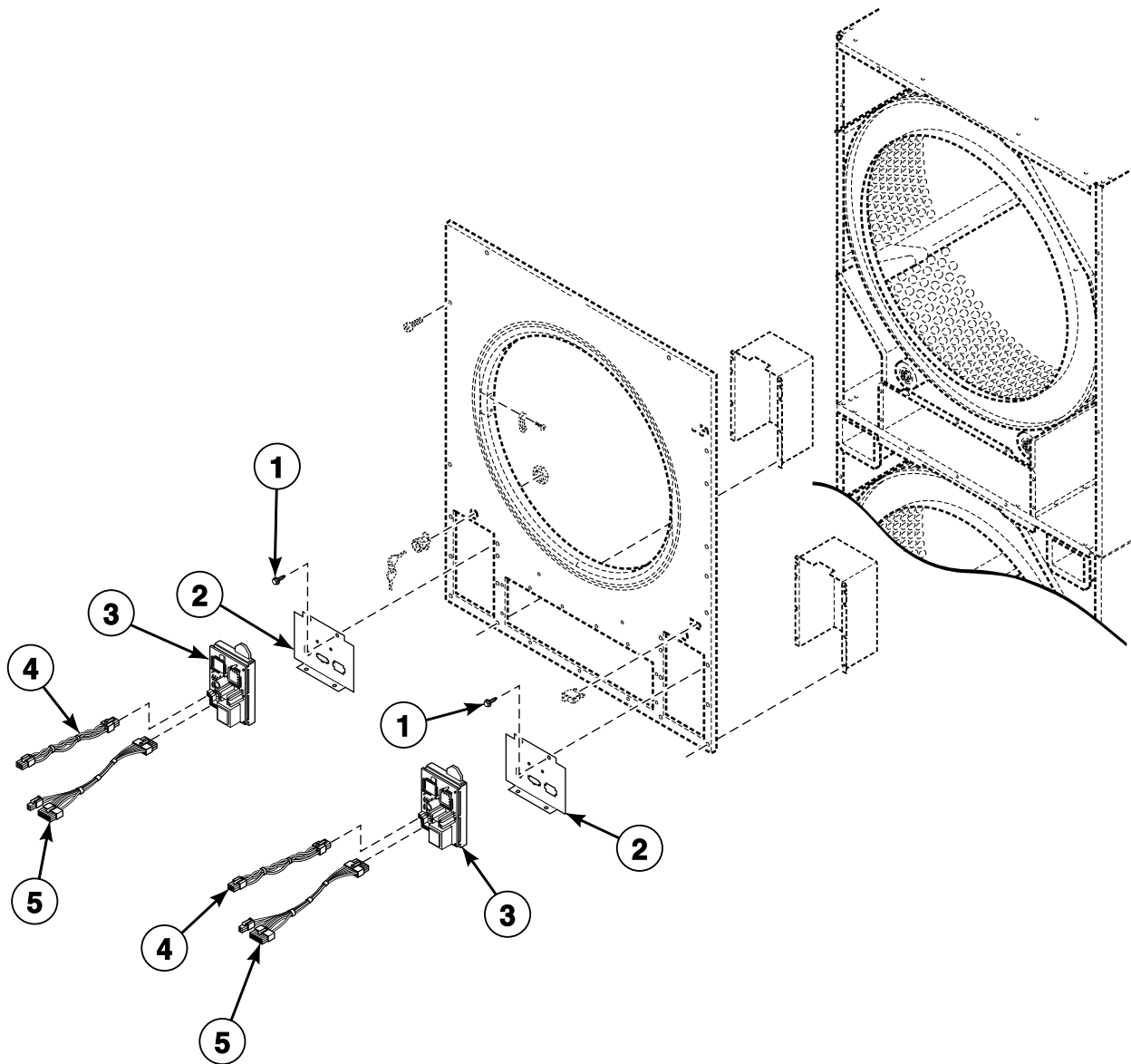
TMB2783P_70304801

Card Reader Components for NetMaster Models

REF	PART NO.	DESCRIPTION	COMMENTS
1	70346002P	Main Harness	ZR and ZY control suffixes; Electric models need 55881 Harness Strap
2	70364103	Bypass Harness	Non-CE models
3	70211703P	Jumper Calibration Assembly	
4	70206601	Card Reader Network Harness Assembly	Card reader or network
5	70211801	Card Reader Harness Assembly	
6	70054	Nut	2 required
7	510068P	Card Reader and Bracket Assembly	
8	70184201	Overlay	Card reader installed
	70235101	Overlay	Card reader ready
	70416301	Overlay	K models; NY control suffix; Upper
	70416401	Overlay	K models; NY control suffix; Bottom
9	70175911	Control Door Assembly	NR control suffix
10	M400003	Pop Rivet	
11	70184501	Latch Mounting Bracket	
12	501524	Screw	4 required
13	431318	Control Door Latch	
14	505905P	Control Kit	Includes tape
15	70368001P	Control Panel Harness	KT and ST models
	70315501P	Control Panel Harness	SA models

Network Board for NetMaster Models

SA and ST Models Through Serial No. 0904004427 with ZC, ZR, ZX and ZY Control Suffixes



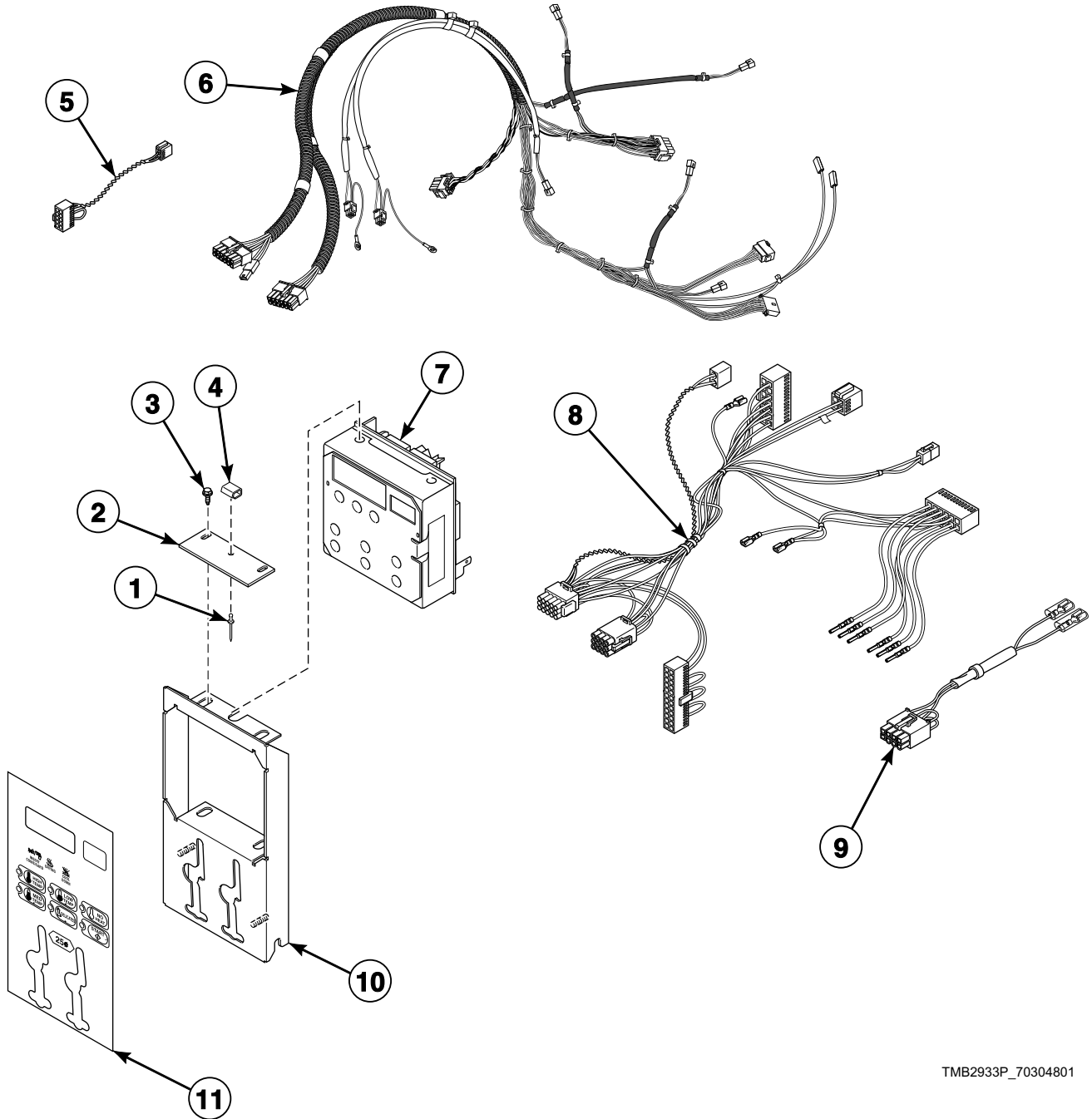
TMB2308P_70304801

Network Board for NetMaster Models

REF	PART NO.	DESCRIPTION	COMMENTS
1	52909	Screw	
2	70307002	Control Housing Cover	
3	210016P	Network Board Assembly	
4	70211101	Communication Harness Assembly	Network board to main harness at control bulkhead
5	800217	Network Wire Harness Assembly	

Coin Drop Components for Quantum Models

S Models with LC, LX, WC and WX Control Suffixes



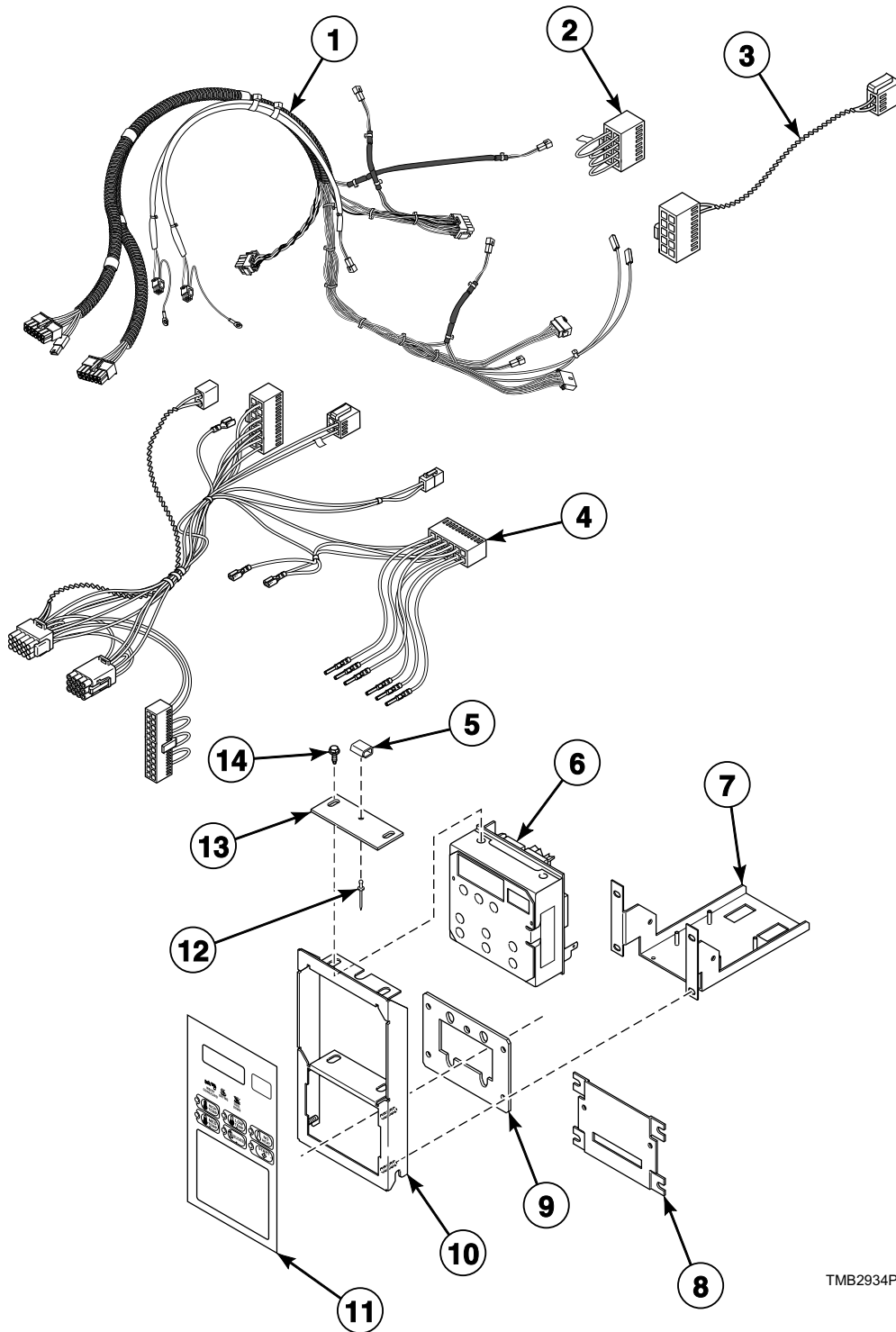
TMB2933P_70304801

Coin Drop Components for Quantum Models

REF	PART NO.	DESCRIPTION	COMMENTS
	NK207	Network Retrofit Kit	LC and LX control suffixes; Wired
	NK220	Network Controller Kit	LC and LX control suffixes; Wired
	NK301	Wireless Network Kit	LC and LX control suffixes
	NK320	Ethernet Gateway Kit	LC and LX control suffixes; Wireless
	NK330	USB Gateway Kit	LC and LX control suffixes; Wireless
1	M400003	Pop Rivet	
2	70184501	Latch Mounting Bracket	
3	501524	Screw	4 required
4	431318	Control Door Latch	
5	70324603	Jumper Calibration Wire	
6	70346001P	Main Harness	LC and LX control suffixes; Electric models need 55881 Harness Strap; Models through 1/15/12
	70346002P	Main Harness	WC and WX control suffixes; Electric models need 55881 Harness Strap; Models through 1/15/12
	70441401	Main Harness	Electric models need 55881 Harness Strap; Models starting 1/16/12
7	70450501P	Control Assembly	Includes tape
8	70410401P	Control Panel Harness	
9	70364104P	Coin Vault Switch Harness	Non-CE models
10	70291101P	Control Plate Kit	
11	70449401	Control Overlay	Models STT30D and STT45D
	70443401	Control Overlay	Models STT30D and STT45D; Upper
	70443501	Control Overlay	Models STT30D and STT45D; Lower
	70410101	Control Overlay	All other models; Single drop
	70410102	Control Overlay	All other models; Dual drop

Card Reader Components for Quantum Models

S Models with LY and WY Control Suffixes



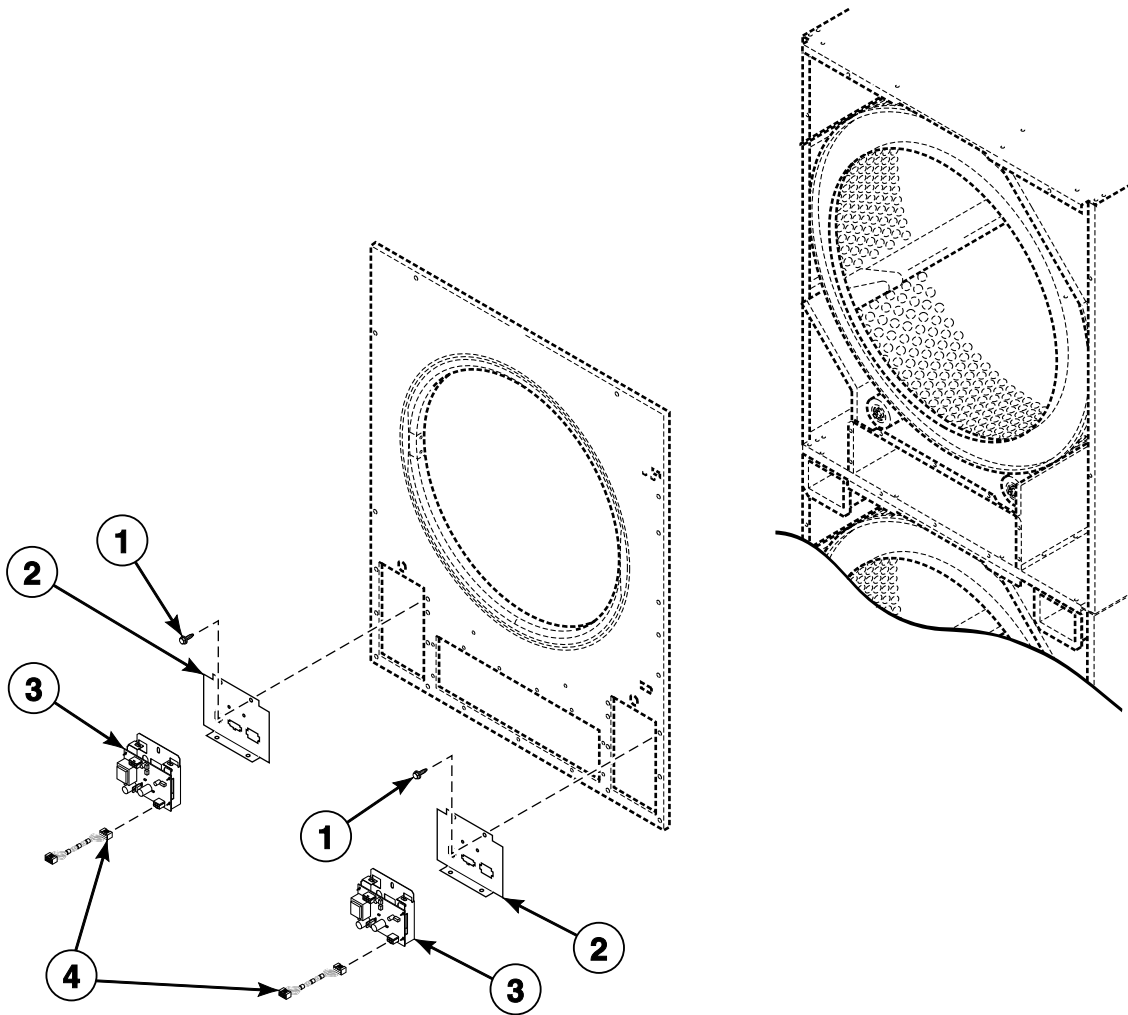
TMB2934P_70304801

Card Reader Components for Quantum Models

REF	PART NO.	DESCRIPTION	COMMENTS
	NK207	Network Retrofit Kit	LY control suffix; Wired
	NK220	Network Controller Kit	LY control suffix: Wired
	NK301	Wireless Network Kit	LY control suffix
	NK320	Ethernet Gateway Kit	LY control suffix; Wireless
	NK330	USB Gateway Kit	LY control suffix; Wireless
1	70346001P	Main Harness	LY control suffix; Electric models need 55881 Harness Strap; Models through 1/15/12
	70346002P	Main Harness	WY control suffix; Electric models need 55881 Harness Strap; Models through 1/15/12
	70441401	Main Harness	Electric models need 55881 Harness Strap; Models starting 1/16/12
2	70364103	Bypass Harness	Non-CE models
3	70324603	Jumper Calibration Wire	
4	70410401P	Control Panel Harness	
5	431318	Control Door Latch	
6	70450501P	Control Assembly	Includes tape
7	70419201	Chassis Mounting Bracket Assembly	
8	44089501	Slot Card Plate Assembly	
9	70208801	Mounting Plate	
10	70348901	Control Plate Assembly	
11	70417601	Control Overlay	
12	M400003	Pop Rivet	
13	70184501	Latch Mounting Bracket	
14	501524	Screw	4 required

Network Board for Quantum Models

S Models with WC, WX and WY Control Suffixes



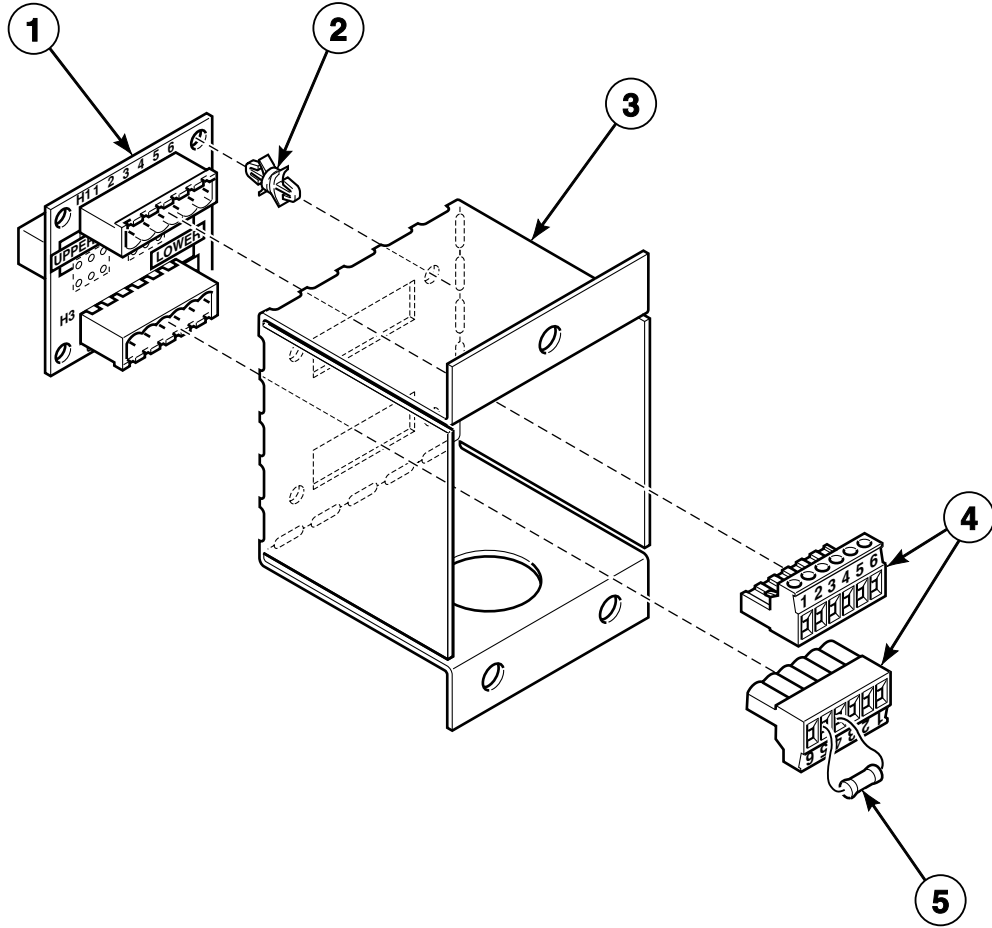
TMB2935P_70304801

Network Board for Quantum Models

REF	PART NO.	DESCRIPTION	COMMENTS
1	52909	Screw	
2	70307002	Control Housing Cover	
3	201341	Network Board Assembly	
4	44088501P	Network Wire Harness Assembly	

Communication Board

S Models with WC, ZC and ZR Control Suffixes



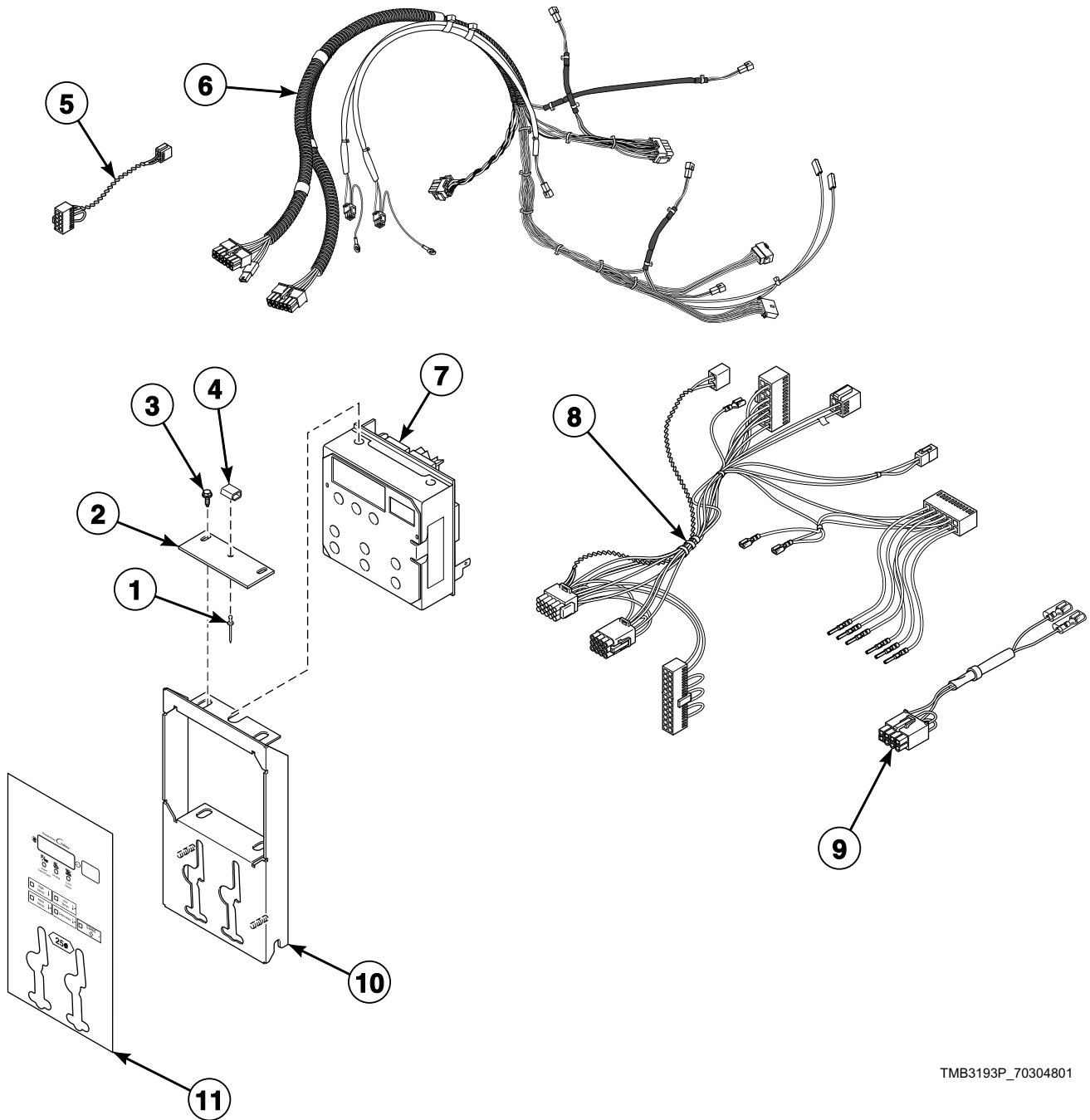
TMB2351P_70304801

Communication Board

REF	PART NO.	DESCRIPTION	COMMENTS
1	210097	Communication Board	
2	210098	PC Board Standoff	4 required
3	70323101	Communication Board Bracket	
4	210099	Communication Connector	
5	210162	Terminating Resistor	120 Ohms

Coin Drop Components for Galaxy 600 Models

H Models with KC and KX Control Suffixes



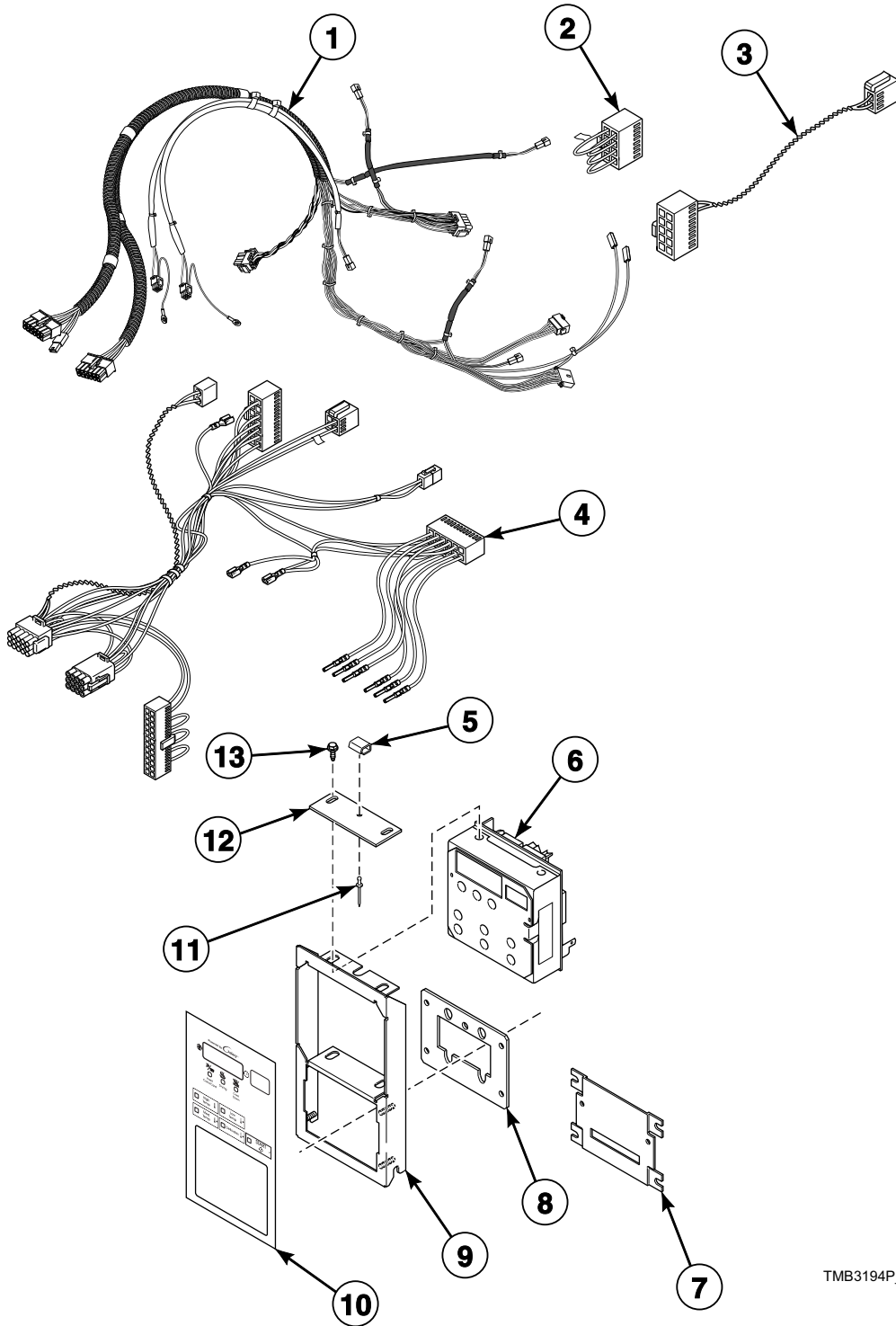
TMB3193P_70304801

Coin Drop Components for Galaxy 600 Models

REF	PART NO.	DESCRIPTION	COMMENTS
1	M400003	Pop Rivet	
2	70184501	Latch Mounting Bracket	
3	501524	Screw	4 required
4	431318	Control Door Latch	
5	70324603	Jumper Calibration Wire	
6	70441401	Main Harness	Electric models need 55881 Harness Strap
7	70450502	Control Assembly	Includes tape
8	70410401P	Control Panel Harness	
9	70364104P	Coin Vault Switch Harness	Non-CE models
10	70291201P	Control Plate Kit	
11	70472101	Control Overlay	Single drop
	70472102	Control Overlay	Dual drop

Card Reader Components for Galaxy 600 Models

H Models with KY Control Suffix



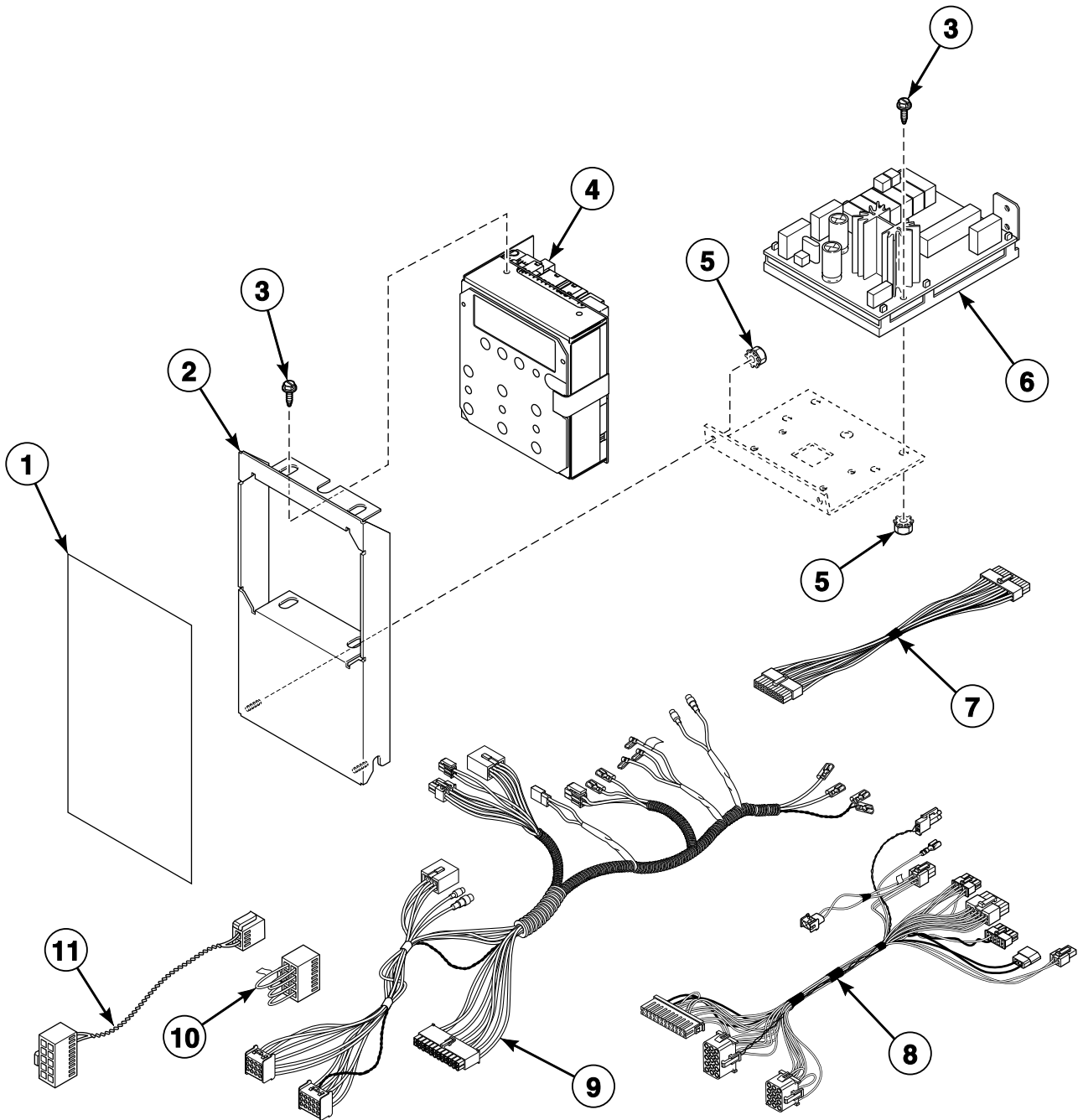
TMB3194P_70304801

Card Reader Components for Galaxy 600 Models

REF	PART NO.	DESCRIPTION	COMMENTS
1	70441401	Main Harness	Electric models need 55881 Harness Strap
2	70364103	Bypass Harness	Non-CE models
3	70324603	Jumper Calibration Wire	
4	70410401P	Control Panel Harness	
5	431318	Control Door Latch	
6	70450502	Control Assembly	Includes tape
7	44089501	Slot Card Plate Assembly	
8	70208801	Mounting Plate	
9	70349001	Control Plate Assembly	
10	70472101	Control Overlay	Single drop; KC and KX control suffixes
	70472102	Control Overlay	Dual drop; KC and KX control suffixes
	70472901	Control Overlay	KY control suffix
11	M400003	Pop Rivet	
12	70184501	Latch Mounting Bracket	
13	501524	Screw	4 required

LED OPL Control

C, D, H, I, S and U Models
G, K, L and P Models Starting 1/16/12
Models with EO Control Suffix

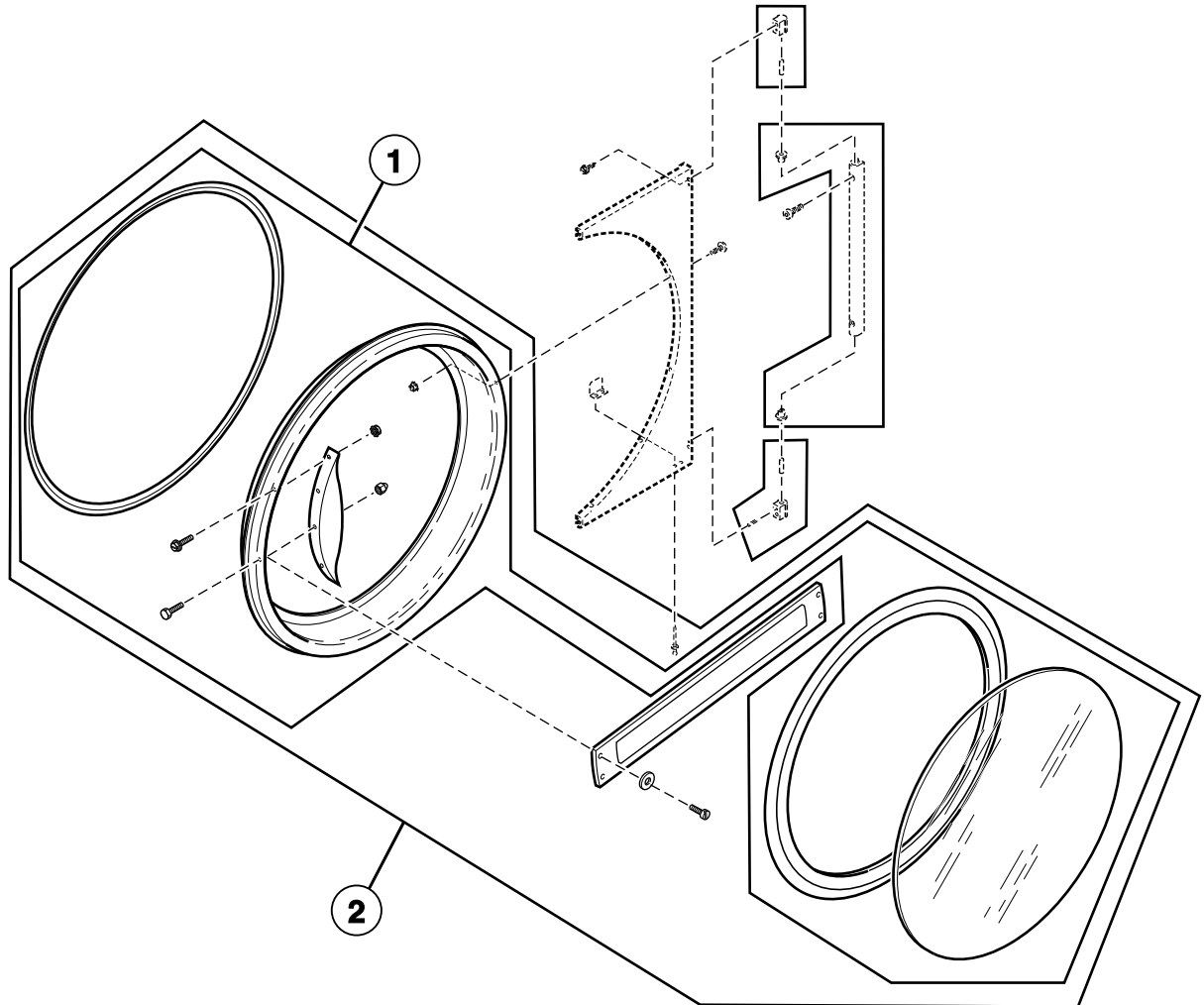


TMB3258P_70304801

LED OPL Control

REF	PART NO.	DESCRIPTION	COMMENTS
1	70467101	Overlay	S models
	70445102	Overlay	H models
	70466701	Overlay	C, D and I models
	70462801	Overlay	U models
	70463002	Overlay	G and K models
	70472502	Overlay	P models
	70472302	Overlay	L models
2	70441001	Control Door and Studs Assembly	C, D, I, S and U models
	70441101	Control Door and Studs Assembly	H models
3	501524	Screw	
4	70454101P	Control Assembly	H, S and U models
	70437102P	Control Assembly	C, D and I models
	70437103P	Control Assembly	P models
	70437104P	Control Assembly	G and K models
	70437105P	Control Assembly	L models
5	70054	Nut	
6	70434101P	Control Assembly	
7	44186101	Output Harness	Use between item 4 and item 6
8	44240301	Control Panel Harness	Goes from item 4 to main harness
9	70441401	Main Harness	
10	70364103	Bypass Harness	Non-CE models
11	70324603	Jumper Calibration Wire	

Door Assemblies

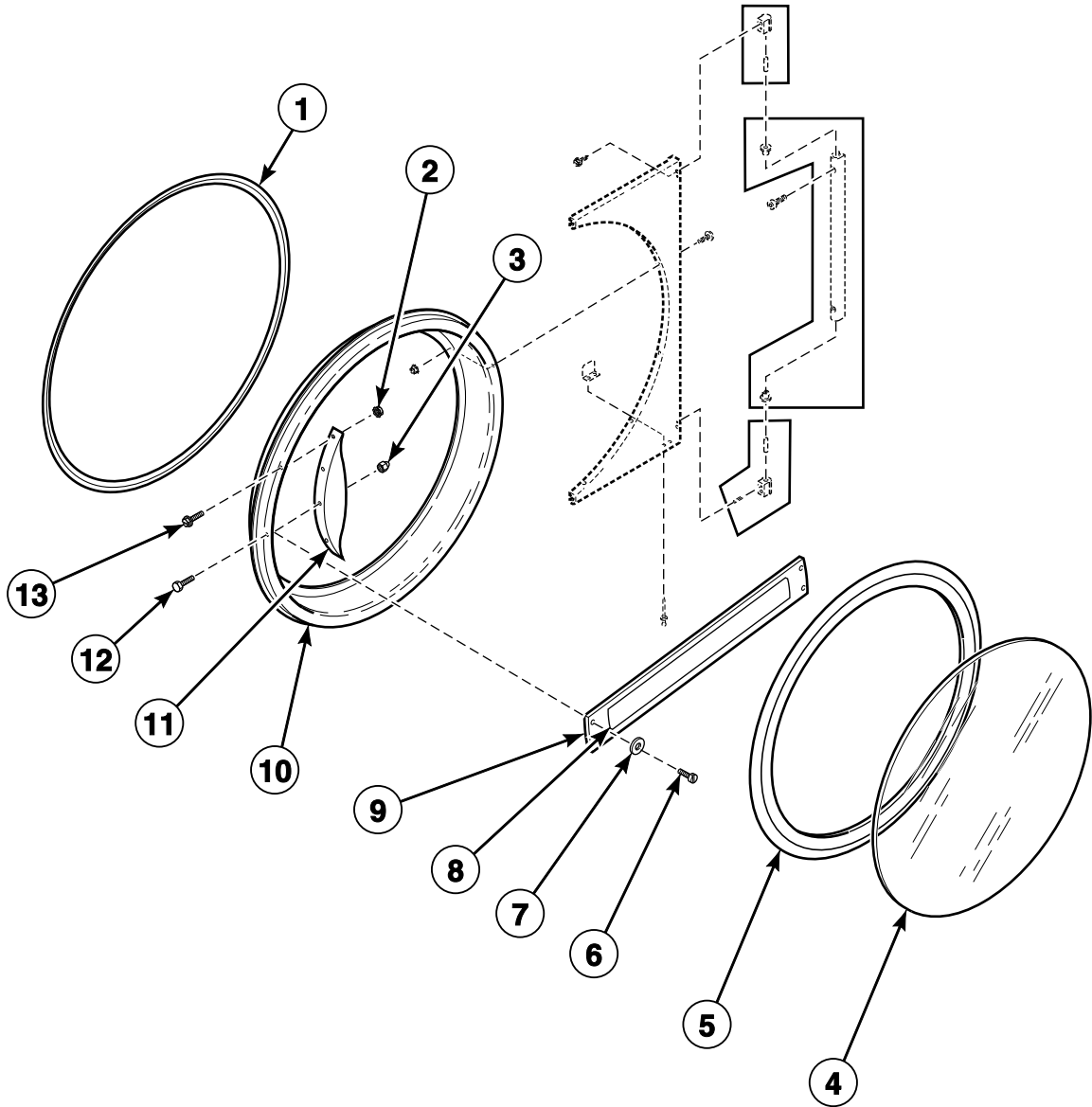


TMB3086PA_70304801

Door Assemblies

REF	PART NO.	DESCRIPTION	COMMENTS
1	70212300	Door Assembly	T30 M, S, and U models; Includes items 1-5 and 11-13 listed on <i>Door Components</i> page
	44046701	Door Assembly	T30 C, D, and I models through 7/31/11; Includes items 1-5 and 10-13 listed on <i>Door Components</i> page
	70212301	Door Assembly	T30 C, D, and I models starting 8/1/11; Includes items 1-5 and 10-13 listed on <i>Door Components</i> page
	44058001P	Door Assembly	T30 H models; Includes items 1-5 and 11-13 listed on <i>Door Components</i> page
	44058002	Door Assembly	T30 N models; Includes items 1-5 and 11-13 listed on <i>Door Components</i> page
	70212200	Door Assembly	P models; Includes items 1-5 and 11-13 listed on <i>Door Components</i> page
	70064100	Door Assembly	L models; Includes items 1-5 and 11-13 listed on <i>Door Components</i> page
	44058102P	Door Assembly	T45 H models; Includes items 1-5 and 11-13 listed on <i>Door Components</i> page
	44028902P	Door Assembly	T45 M, S and U models; Includes items 1-5 and 10-13 listed on <i>Door Components</i> page
	44112101	Door Assembly	T45 C, D and I models through 7/31/11; Includes items 1-5 and 10-13 listed on <i>Door Components</i> page
	44028903	Door Assembly	T45 C, D and I models starting 8/1/11; Includes items 1-5 and 10-13 listed on <i>Door Components</i> page
2	70408901	Door Assembly	T30 G and K models; Includes items 1, 3-10 and 12 listed on <i>Door Components</i> page
	70407401	Door Assembly	T45 K models; Includes door ring and straight handle bar

Door Components

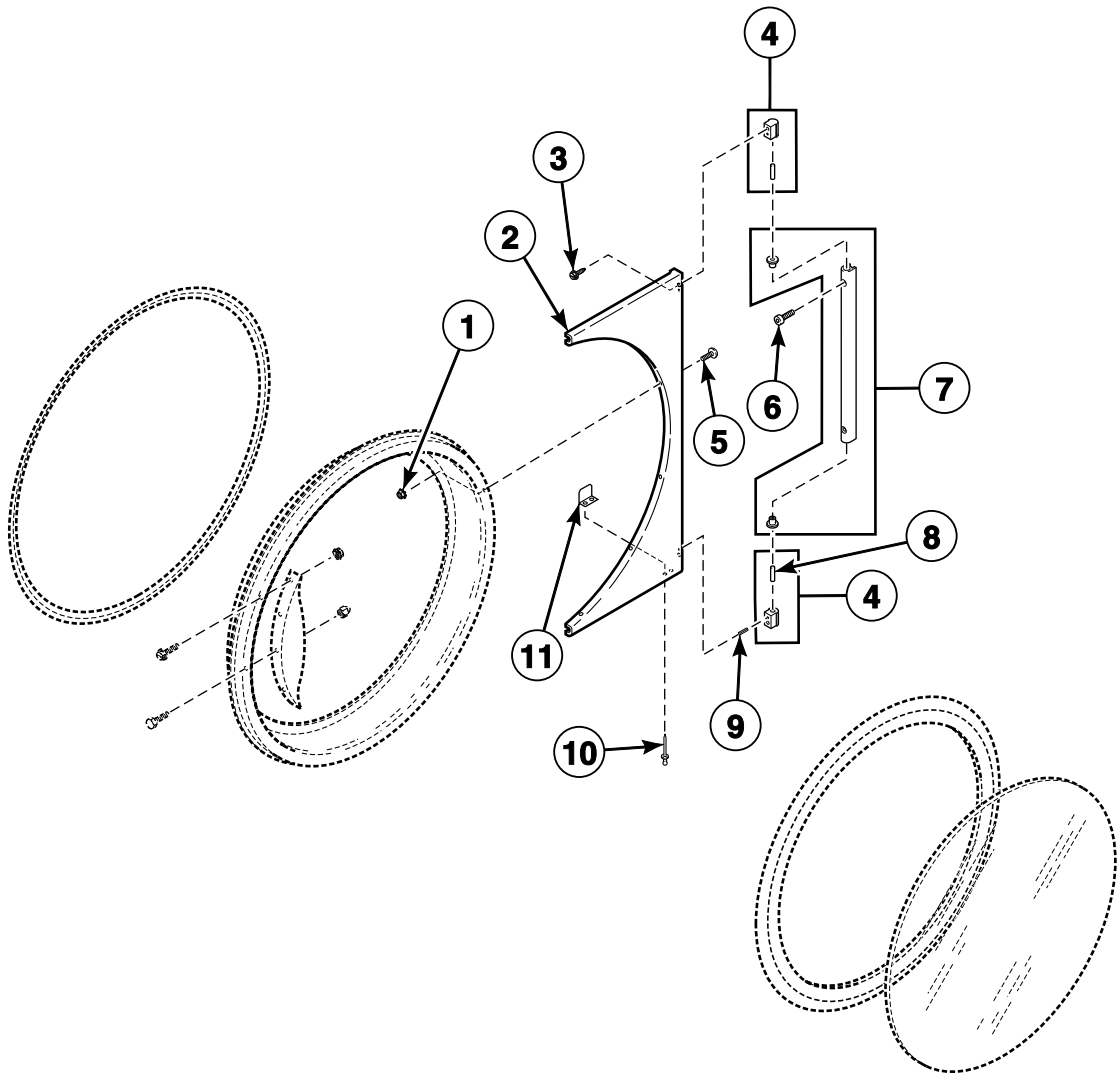


TMB3086P_70304801

Door Components

REF	PART NO.	DESCRIPTION	COMMENTS
1	70296801	Door Ring Gasket	T30 models
	44008201P	Door Ring Gasket	T45 models
2	44071201	Nut	
3	M414215	Nut	Door strike
4	70133601P	Door Glass	T30 H models; Use Loctite 414 or equivalent adhesive to attach to item 5
	M400784P	Door Glass	All other T30 models; Use Loctite 414 or equivalent adhesive to attach to item 5
	44008402P	Door Glass	T45 H models; Use Loctite 414 or equivalent adhesive to attach to item 5
	44008401P	Door Glass	All other T45 models; Use Loctite 414 or equivalent adhesive to attach to item 5
5	70211901P	Door Glass Seal Kit	T30 models; Use Loctite 414 for seal
	70211902P	Door Seal Kit	T45 models; Use Loctite 414 for seal
6	70412601	Pop Rivet	G and K models; Attaches door handle to door ring
7	70409301	Washer	G and K models
8	70411401	Nameplate Overlay	G models; Coin
	44144401	Nameplate Overlay	K models; Coin
9	70399502B	Handle Bar	T30 G and K models
	70399501B	Handle Bar	T45 G and K models
10	70081801	Door Ring	T30 H, L, M, N, P, S and U models
	44043501	Door Ring and Handle Assembly	T30 C, D and I models through 7/31/11; Includes 44078201 Handle
	70455001B	Door Ring Assembly	T30 C, D and I models starting 8/1/11
	70399701B	Door Ring	T30 G and K models
	44112001	Door Ring and Handle Assembly	T45 C and I models through 7/31/11
	44007704B	Door Ring	T45 C, D and I models starting 8/1/11
	44007702	Door Ring Assembly	T45 H, M, S and U models
	44007703B	Door Ring	T45 G and K models
11	44007902P	Door Handle	T30 M, N, S and U models; T30 C, D and I models starting 8/1/11
	44057701	Door Handle	T30 H models
	430117	Door Handle	L models
	M400133	Door Handle	P models
	44007901	Door Handle	T45 M, S and U models
	44057702	Door Handle	T45 H models
	44111901	Door Handle	T45 C, D, and I models
12	M400661	Screw	Door strike
13	430757	Screw	T30 M, S and U models
	430756	Screw	2 required for left side of door handle for L models
	61199	Screw	H and N models; T45 M, S and U models
	70126301	Pop Rivet	G and K models; 4 required

Door Hinge Components



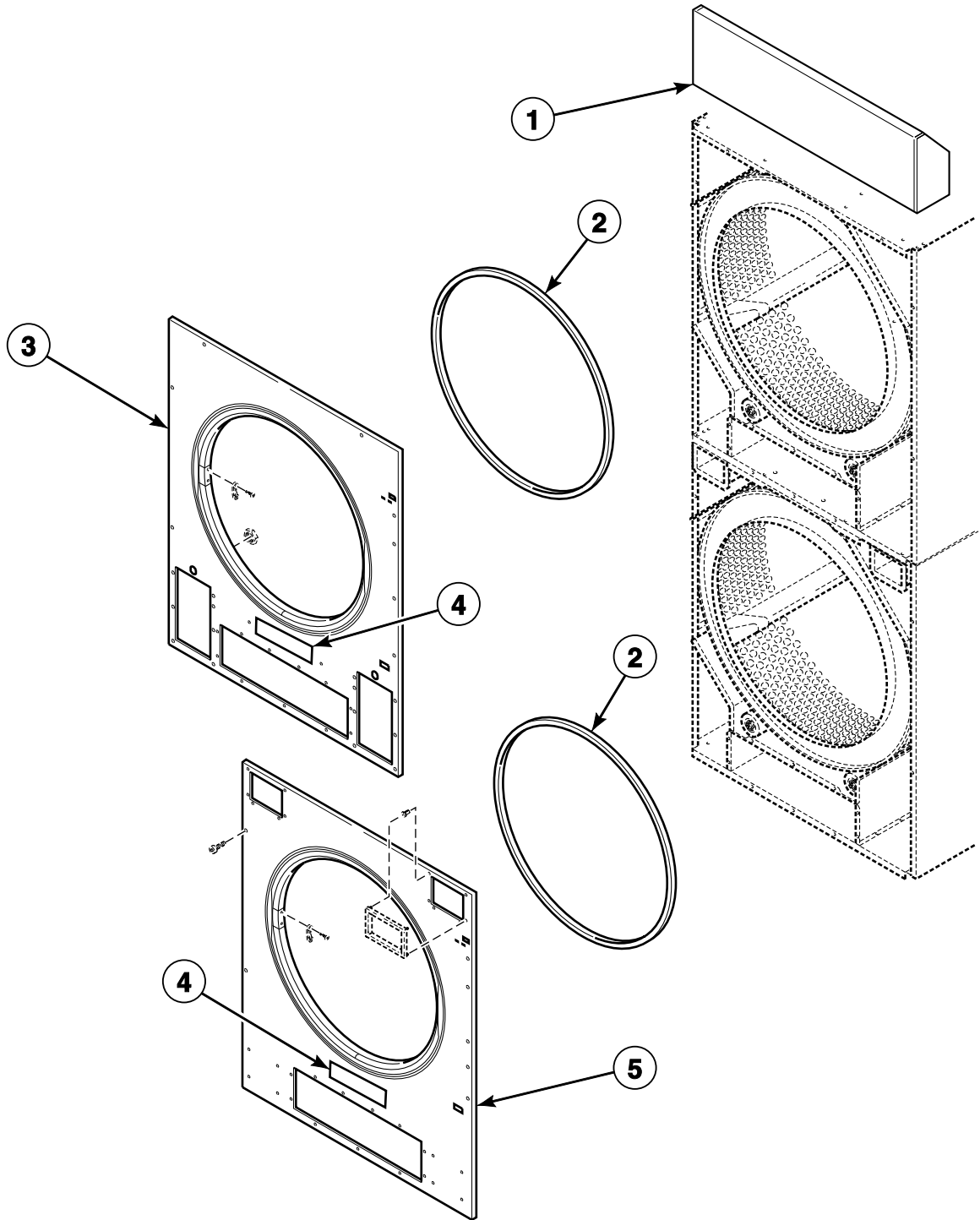
TMB2310PA_70304801

Door Hinge Components

REF	PART NO.	DESCRIPTION	COMMENTS
	M4788P3	Door Hinge Kit	T30 D and I models; To change from old look to new look
1	23951	Nut	
2	70115903B	Door Hinge	T30 G and K models; T30 D and I models starting 8/1/11
	70115901*	Door Hinge	T30 H, L, P, S and U models; T30 C models starting 8/1/11
	70115902	Door Hinge	T30 C, H, L, P, S and U models; T30 I models through 7/31/11; Stainless steel
	44075209B	Door Hinge Assembly	T45 G and K models; T45 D and I models starting 8/1/11
	44075205*	Door Hinge Assembly	T45 H, S and U models; T45 C models starting 8/1/11
	44075206	Door Hinge Assembly	T45 C, H, S and U models; T45 I models through 7/31/11; Stainless steel
3	61199	Screw	
4	M4773P3	Cam and Hinge Kit	G and K models; D and I models starting 8/1/11
	M4772P3	Cam and Hinge Kit	C, H, L, P, S and U models; I models through 7/31/11
5	M400044	Screw	
6	70407301	Screw	G and K models; D and I models starting 8/1/11
	70033502	Screw	C, H, L, P, S and U models; I models through 7/31/11
7	44035002	Door Hinge Lug Assembly	G and K models; D and I models starting 8/1/11; Black
	44035001	Door Hinge Lug Assembly	C, H, L, P, S and U models; I models through 7/31/11
8	70071401	Pin	
9	70071401	Pin	
10	70058501	Pop Rivet	
11	70215001P	Door Switch Actuator Kit	

* Add Letter To Designate Color. L - Almond Q - Bisque W - White

Front Panel Assemblies and False Fronts



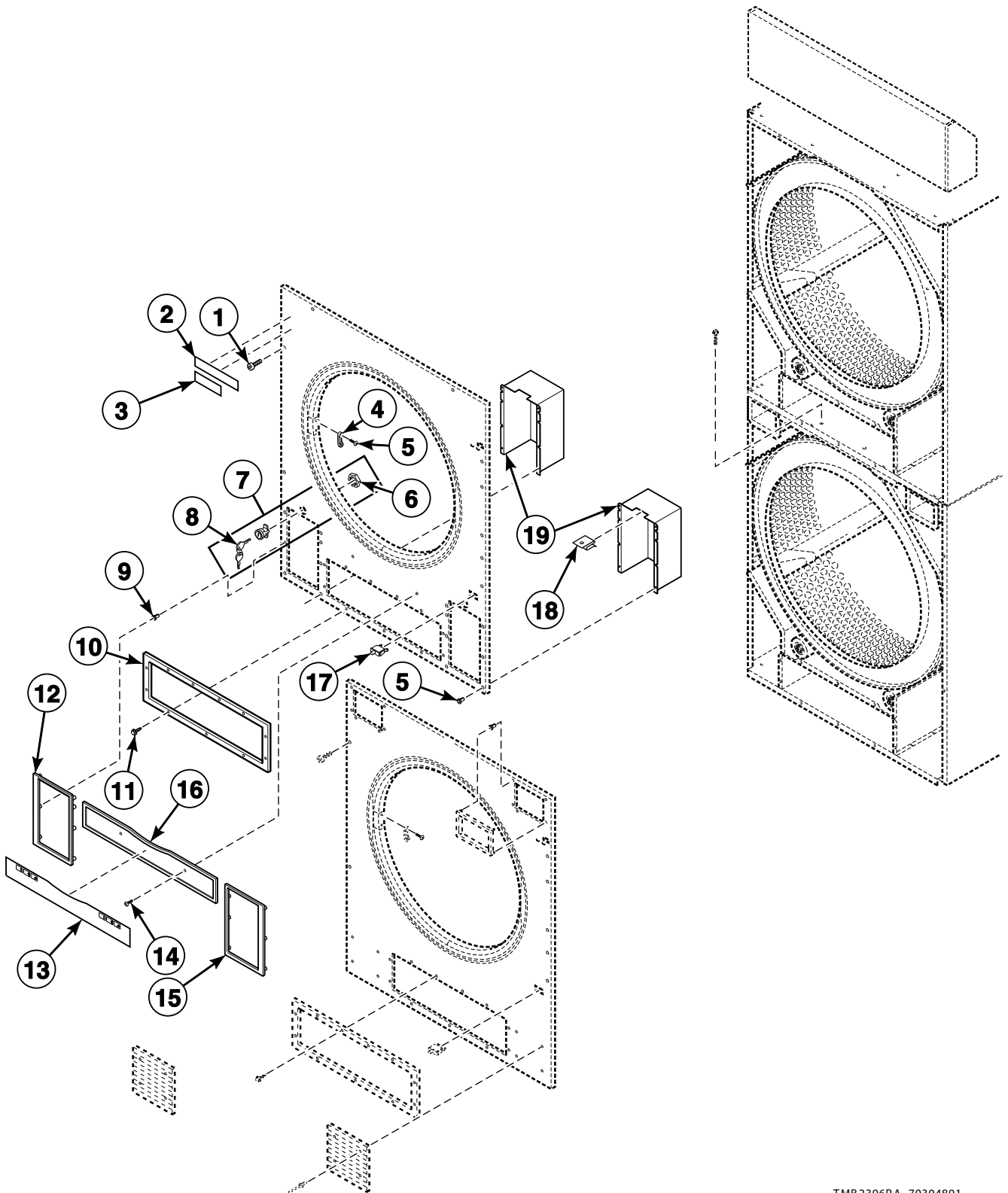
TMB3161P_70304801

Front Panel Assemblies and False Fronts

REF	PART NO.	DESCRIPTION	COMMENTS
	70399406	Access Panel Trim	T45 G and K models
	70399401	Access Panel Trim	T30 G and K models
	298P4P	Spray Paint	White
	297P4	Spray Paint	Almond
	286P4	Spray Paint	Blue
	122P4P	Porcelain Touch-Up Paint	White
	215P4P	Porcelain Touch-Up Paint	Almond
	370P4P	Porcelain Touch-Up Paint	Bisque
1	70371701*P	False Front Kit	T30 models; To match T45 height; Includes 2 screws
	70371702P	False Front Kit	T30 models; Stainless steel; To match T45 height; Includes 2 screws
2	70173401P	Front Panel Seal	T30 models
	70173402	Front Cylinder Seal	T45 models
3	70391301*P	Upper Front Panel Assembly	T30 models
	70391302P	Upper Front Panel Assembly	T30 C, D, G, H, I, K, M and N models; Stainless steel
	70391303P	Upper Front Panel Assembly	T30 L, P, S and U models; Stainless steel
	70454501	Upper Front Panel Assembly	T30 models; Stainless steel
	70391501*P	Upper Front Panel Assembly	T45 H, N, S and U models
	70391502P	Upper Front Panel Assembly	T45 C, D, G, H, I, K, M, N and U models; Stainless steel
	70391503P	Upper Front Panel Assembly	T45 S models; Stainless steel
4	70418101	Instruction Label	Card models
5	70391205*	Lower Front Panel Assembly	T30 CE OPL models
	70391206P	Lower Front Panel Assembly	T30 CE OPL models; Stainless steel
	70391201*P	Lower Front Panel Assembly	T30 coin models
	70391202P	Lower Front Panel Assembly	T30 coin models; Stainless steel
	70391203*P	Lower Front Panel Assembly	T30 OPL models
	70391204	Lower Front Panel Assembly	T30 OPL models; Stainless steel
	70454502	Lower Front Panel Assembly	T30 models; Stainless steel
	70391401*P	Lower Front Panel Assembly	T45 coin models
	70391402P	Lower Front Panel Assembly	T45 coin models; Stainless steel
	70391403*P	Lower Front Panel Assembly	T45 OPL models
	70391404P	Lower Front Panel Assembly	T45 OPL models; Stainless steel

* Add Letter To Designate Color. L - Almond Q - Bisque W - White

Upper Cabinet Front Components

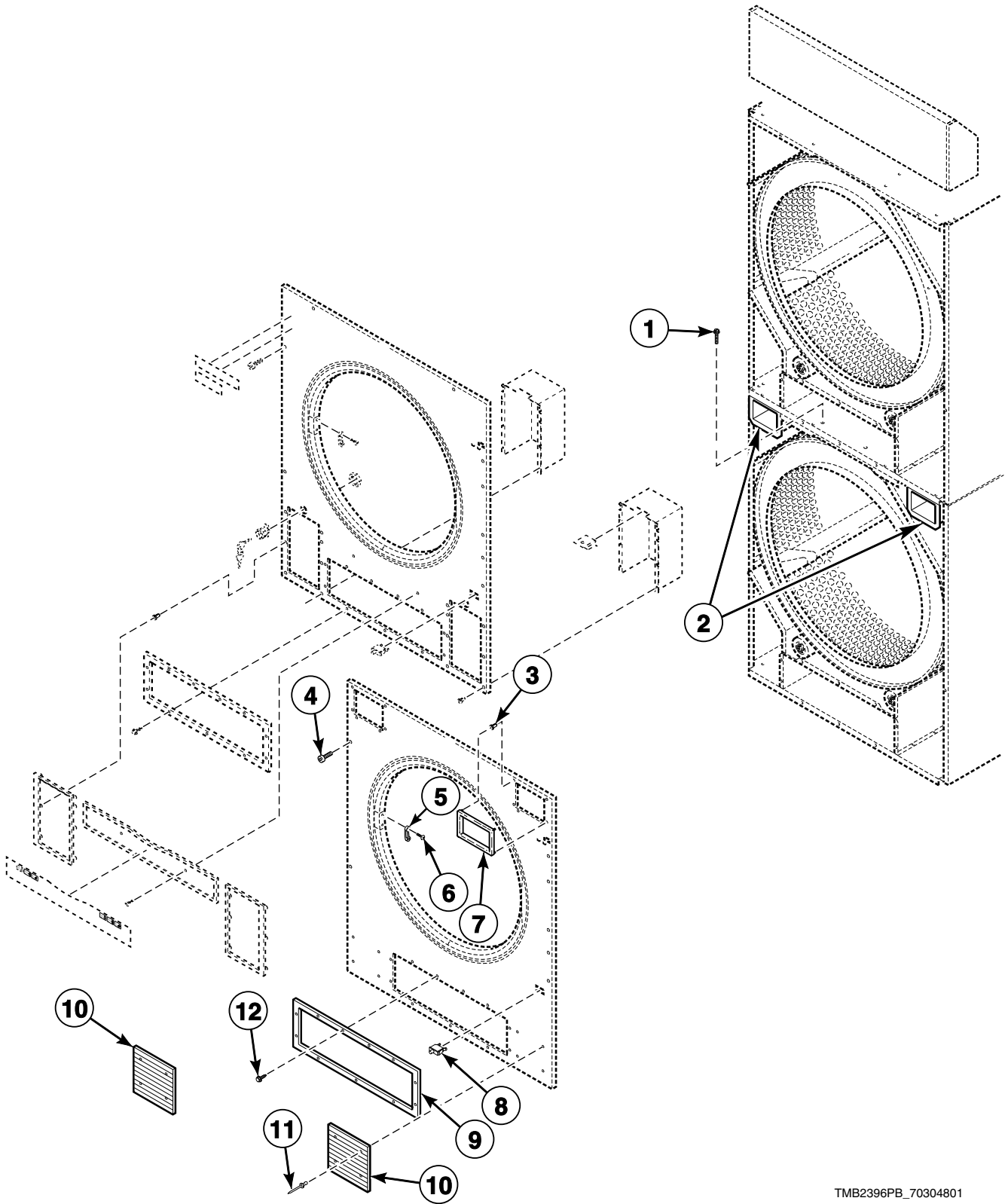


TMB2396PA_70304801

Upper Cabinet Front Components

REF	PART NO.	DESCRIPTION	COMMENTS
	70017301	Front Panel Baffle Seal	2 required
	M410892	Warning Label	
1	M400003	Pop Rivet	
2	44062901	Nameplate	C models
	B12389801	Nameplate	D and I models
	70414001	Label	G and K models; Coin
3	70289201	Nameplate	T30 C models through Serial No. 0205xxxxx
	44129906	Nameplate	T30 C models starting Serial No. 0205xxxxx
	44129908	Nameplate	T45 C models
	70286601	Label	T30 D models through 7/8/12
	70286602	Label	T45 D models through 7/8/12
	70289801	Nameplate	T30 I models through 7/8/12
	70289802	Label	T45 I models through 7/8/12
4	M401223	Door Latch	
5	M400003	Pop Rivet	2 required for item 4; 4 required for item 19
6	44088801	Nut	Panel lock
7	44089301P	Lock, Key and Nut Kit	RL001
8	70155601	Key	RL001
9	M400972	Shadow Box Clip	6 required per coin vault trim
10	70117901P	Lint Drawer Gasket	T30 models
	70300201P	Lint Drawer Gasket	T45 models
11	70275801	Screw	8 required
12	70117001	Control Trim	H and N models; Gray
	70116902	Control Trim	All other models; Black; Left
13	70114601	Overlay	T30 SA, SK, ST, UA, UK and UT models; Coin
	70115401	Overlay	T30 SA, SK and ST models; Card
	70362601	Overlay	T30 SU and UU models; Blank
	70412901	Overlay	P models
	70243801	Overlay	L models
	70299701	Center Trim Overlay	T45 SA, SK, ST, UA, UK and UT models; Coin
	70362701	Overlay	T45 SA, SK and ST models; Card
	70362301	Overlay	T45 SU and UU models; Blank
14	M405188	Screw	2 required for S and U models
15	70117001	Control Trim	H and N models; Gray
	70116901	Control Trim	All other models; Black; Right
16	70120501	Control Trim	T30 models; Center
	70299601	Center Trim	T45 models; Center
17	70413301	Pushbutton Switch	Door switch
18	M406494	Panel Clip	2 required per control housing
19	70119901	Control Housing	

Lower Cabinet Front Components

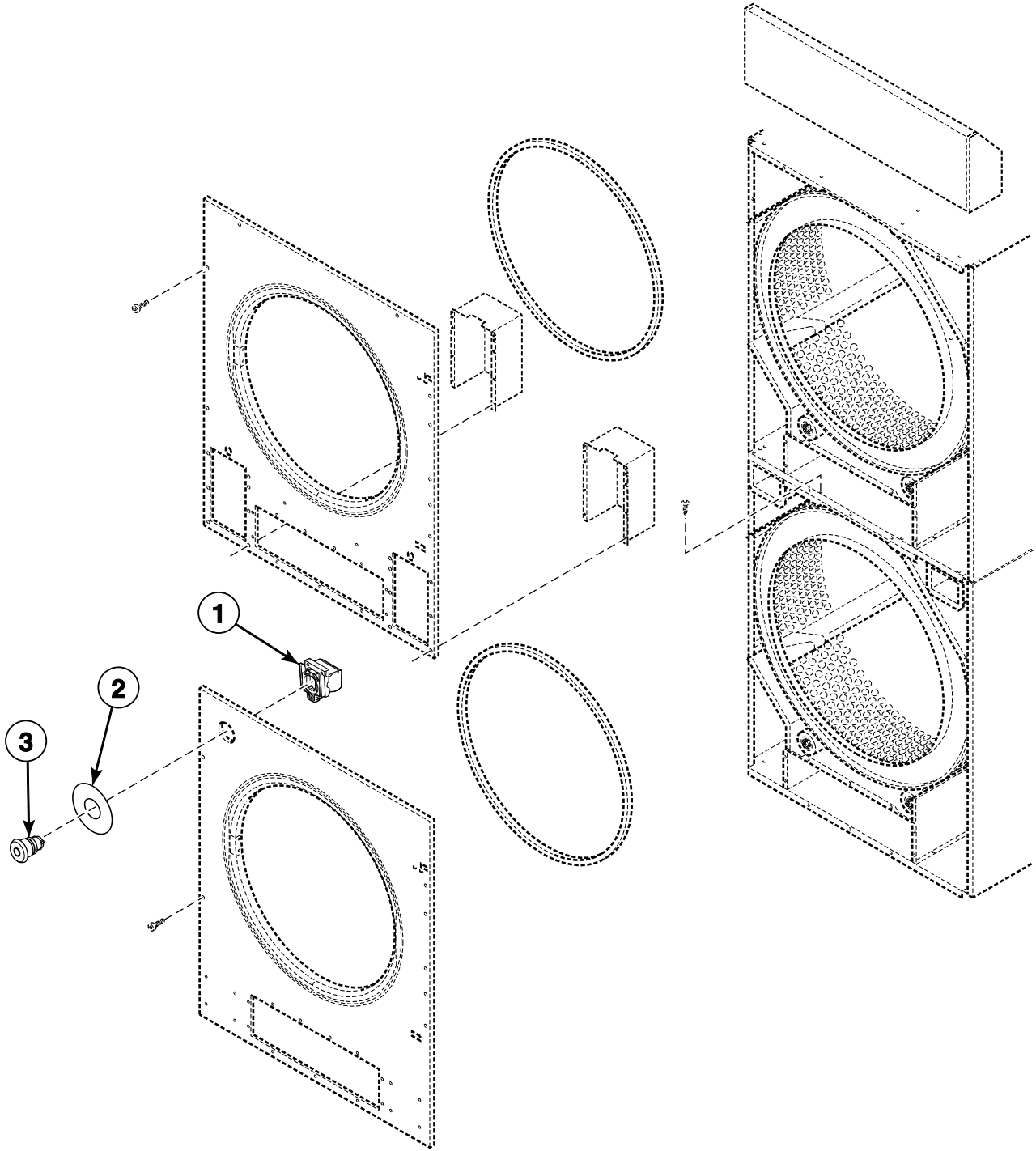


TMB2396PB_70304801

Lower Cabinet Front Components

REF	PART NO.	DESCRIPTION	COMMENTS
	M4379P4	Tumbler Dolly Kit	
	M410892	Warning Label	
	70345801	Base Harness	Models through 7/31/11
	70449001	Base Harness	Models starting 8/1/11
	70017301	Front Panel Baffle Seal	2 required
1	70069901	Screw	
2	70180101	Coin Vault Assembly	
3	M400972	Shadow Box Clip	6 required per coin vault trim
4	70033502	Screw	For painted front panels
	70182601	Screw	For stainless steel front panels
5	M401223	Door Latch	
6	44166601	Pop Rivet	2 required per latch; 4 required per control housing
7	70117501	Coin Vault Trim	H and N models; Gray
	70117502	Coin Vault Trim	All other models; Black
8	70413301	Pushbutton Switch	Door switch
9	70117901P	Lint Drawer Gasket	T30 models
	70300201P	Lint Drawer Gasket	T45 models
10	70117606	Kickplate	H and N models
	70117605	Kickplate	All other models
11	70126401	Pop Rivet	4 required per kickplate; H and N models; Gray
	70126301	Pop Rivet	4 required per kickplate; All other models; Black
12	70275801	Screw	8 required

Emergency Stop Button for CE Models

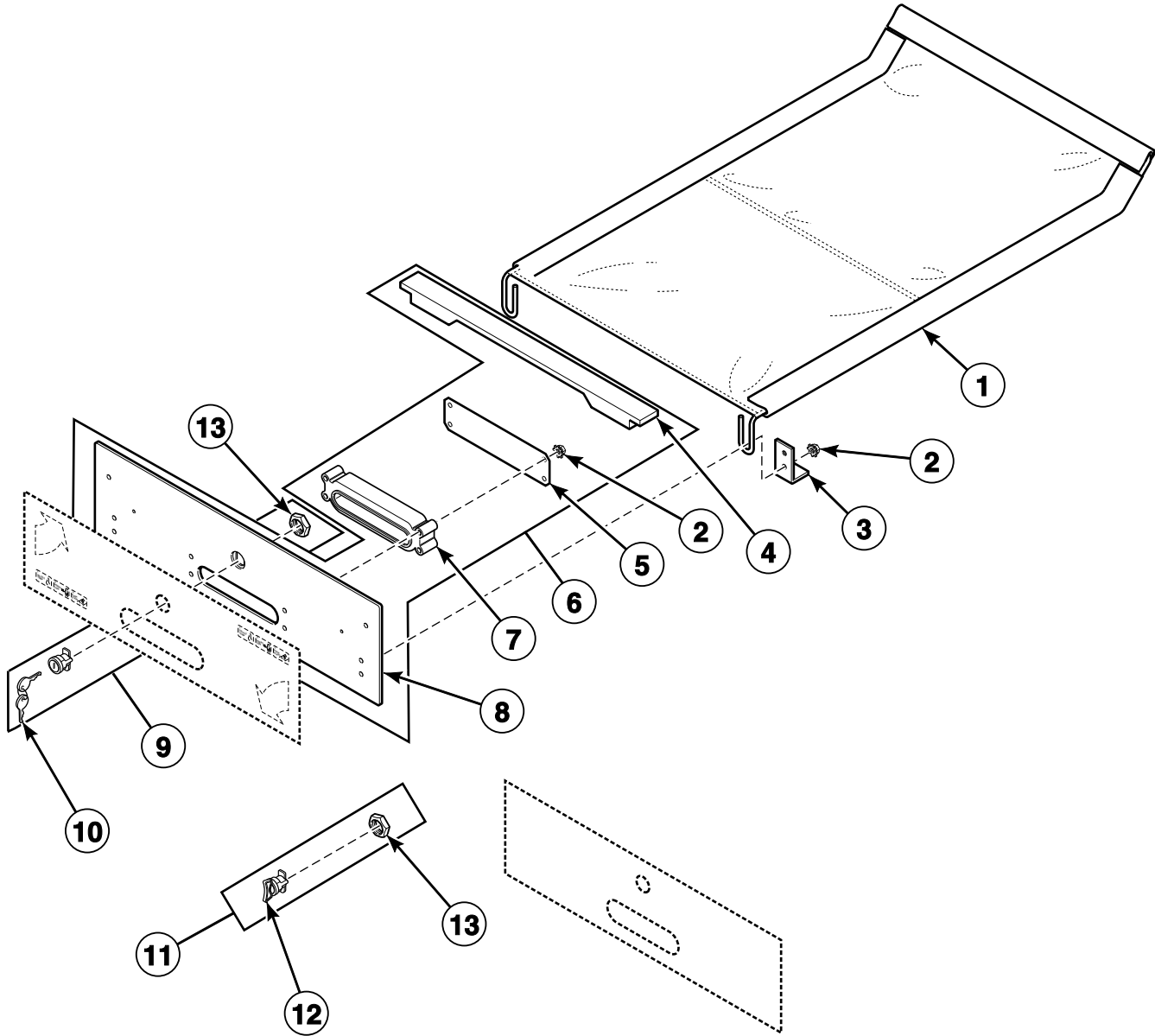


TMB2347P_70304801

Emergency Stop Button for CE Models

REF	PART NO.	DESCRIPTION	COMMENTS
	70364102	Emergency Stop Harness	2 contacts
	70364101P	Emergency Stop Harness	4 contacts
	F200233700P	Emergency Stop Button Kit	Models starting 10/1/07
1	44018701	Contact Block	Models through 9/30/07; With base
	44018901	Contact Block	Models through 9/30/07; Without base
	F200233401	Contact Block Switch	Models starting 10/1/07
	F8069501	Contact Switch	Models starting 10/1/07
2	44012901	Emergency Stop Label	
3	44018801	Pushbutton	Models through 9/30/07
	F200233500	Emergency Stop Pushbutton	Models starting 10/1/07

Lint Drawer Components

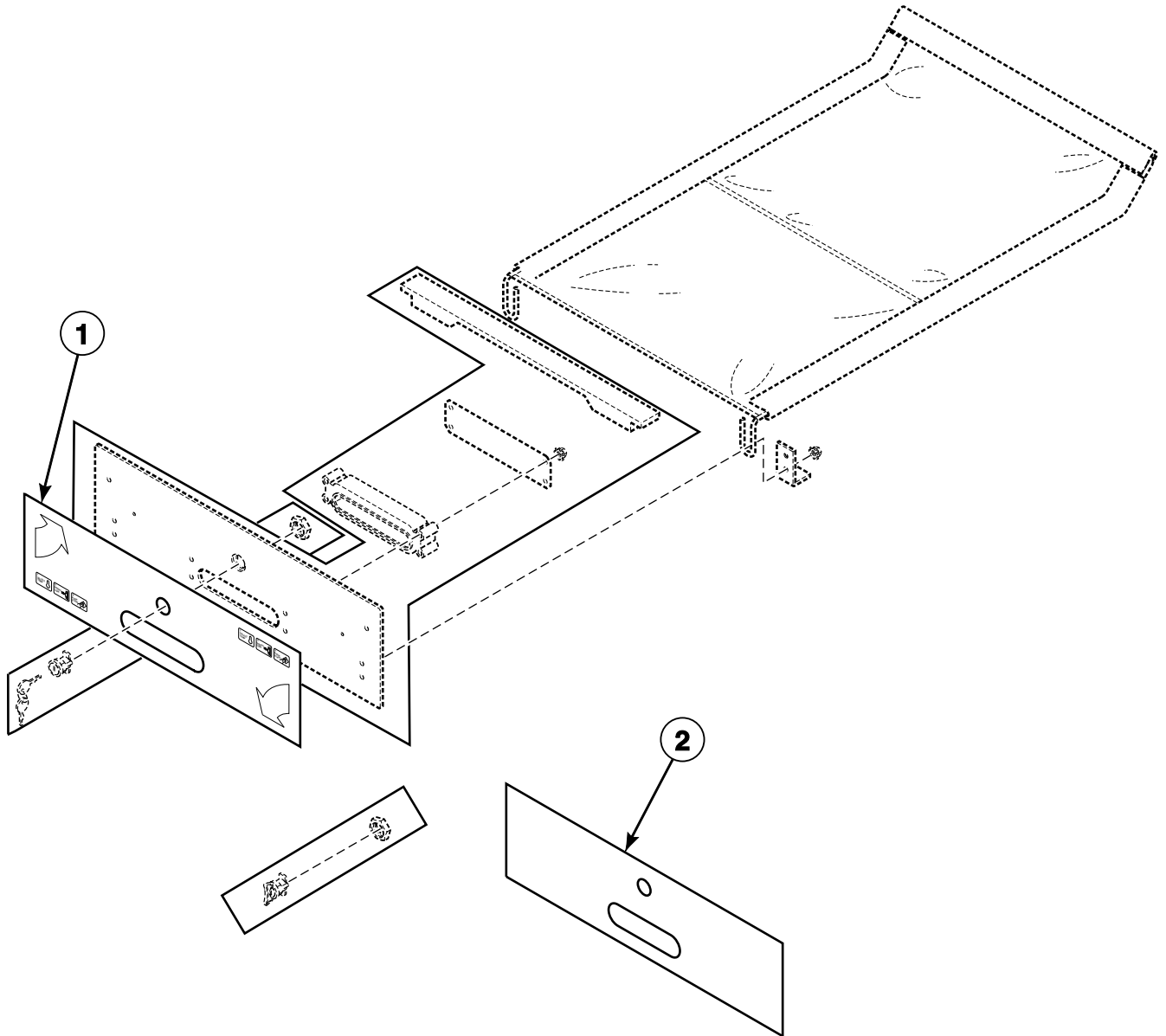


TMB2735P_70304801

Lint Drawer Components

REF	PART NO.	DESCRIPTION	COMMENTS
	70342401	Lock Shim	T30 models; Black
	70342402	Lock Shim	T30 models; Gray
1	70290601	Lint Screen Assembly	T30 models
	70301201	Lint Screen Assembly	T45 models
2	44087101	Nut	6 required
3	70026901	Lint Screen Bracket	2 required
4	70333101	Lint Frame Gasket	T30 models
	70333103	Lint Frame Gasket	T45 models
5	70323201	Lint Drawer Handle Plate	
6	70322901P	Lint Drawer Front Kit	T30 models; Black; Includes 70342401 Lock Shim
	70322902P	Lint Drawer Front Kit	T30 models; Gray; Includes 70342402 Lock Shim
	70323001	Lint Drawer Front Assembly	T45 models; Black
	70323002	Lint Drawer Front Assembly	T45 models; Gray
7	70320801	Lint Drawer Handle	Black
	70320802	Lint Drawer Handle	Gray
8	70322901P	Lint Drawer Front Kit	Includes studs
9	44089302P	Lock, Key and Nut Kit	RL002
10	70155602	Key	RL002
11	70399201P	Panel Latch Kit	C, D, G, H, I, K, S and U models
12	70399201	Panel Latch	C, D, G, H, I, K, S and U models; 3O, BG and QT control suffixes
13	44088801	Nut	

Lint Drawer Overlays

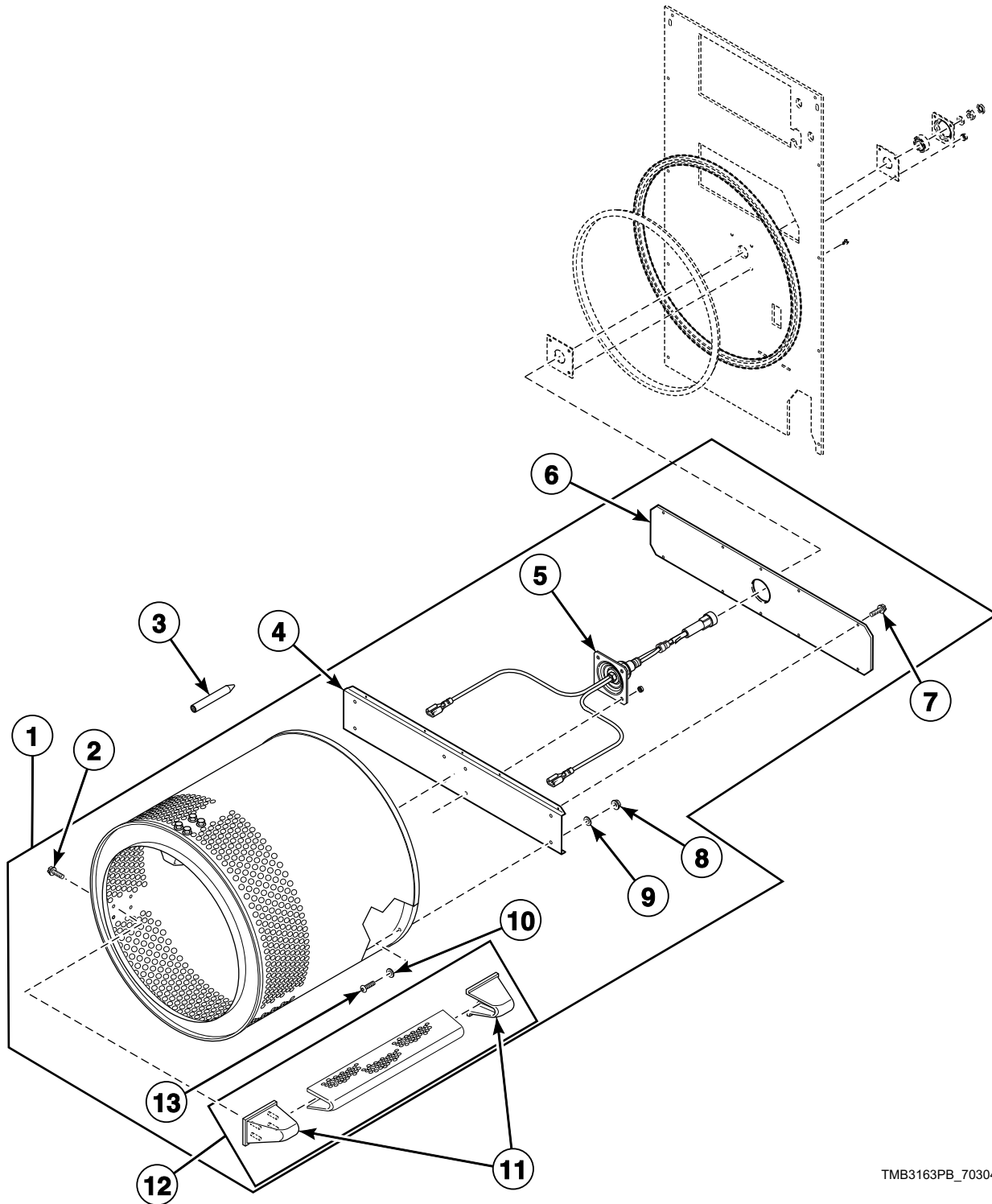


TMB2735PA_70304801

Lint Drawer Overlays

REF	PART NO.	DESCRIPTION	COMMENTS
1	70114701	Overlay	T30 SA, SK and ST models; Upper lint drawer; OPL and coin
	70136301	Overlay	T30 SU models; Upper lint drawer; OPL and coin
	70375301	Overlay	T30 H models; Upper lint drawer; OPL
	70136501	Overlay	T30 HU models; Upper lint drawer; Coin
	70395901	Overlay	T30 HA, HK and HT models; Upper lint drawer; Coin
	70460901	Overlay	T30 U models; Upper lint drawer
	70304301	Overlay	T30 N models; Upper lint drawer
	70351601	Overlay	T30 M models; Upper lint drawer
	70411601	Overlay	T30 G models; Upper lint drawer
	70137101	Overlay	T30 P models; Upper lint drawer
	70413701	Overlay	T30 K models; Upper lint drawer
	70258201	Overlay	T30 C, D and I non-Australian and non-CE models; Upper lint drawer
	70285001	Overlay	T30 C and D CE models; Upper lint drawer
	70299901	Overlay	T45 S models; Upper lint drawer
	70428701	Overlay	T45 S models; Upper lint drawer; Icon
	70461001	Overlay	T45 U models; Upper lint drawer
	70363101	Overlay	T45 H models; Upper lint drawer; OPL
	70428901	Overlay	T45 H models; Upper lint drawer; OPL; Icon
	70396001	Overlay	T45 H models; Upper lint drawer; Coin
	70428801	Overlay	T45 H models; Upper lint drawer; Coin; Icon
	70381101	Overlay	T45 M models; Upper lint drawer
	70408001	Overlay	T45 C and I models; Upper lint drawer
	70408002	Overlay	T45 D models; Upper lint drawer
70413801	Overlay	T45 K models; Upper lint drawer	
2	70115301	Overlay	T30 C, D, G, I, K, L, P, S and U non-CE models; Lower lint drawer
	70136401	Overlay	T30 C, D, G, K, L, P, S and U CE models; Lower lint drawer
	70115201	Overlay	T30 HA, HK and HT models; Lower lint drawer
	70136601	Overlay	T30 HU models; Lower lint drawer
	70137101	Overlay	T30 P models; Lower lint drawer
	70351701	Overlay	T30 M models; Lower lint drawer
	70300001	Overlay	T45 C, D, G, I, K, S and U models; Lower lint drawer
	70428702	Overlay	T45 S models; Lower lint drawer; Icon
	70325301	Overlay	T45 H models; Lower lint drawer
	70428802	Overlay	T45 H models; Lower lint drawer; Icon
	70381201	Overlay	T45 M models; Lower lint drawer

Cylinder and Trunnion Components

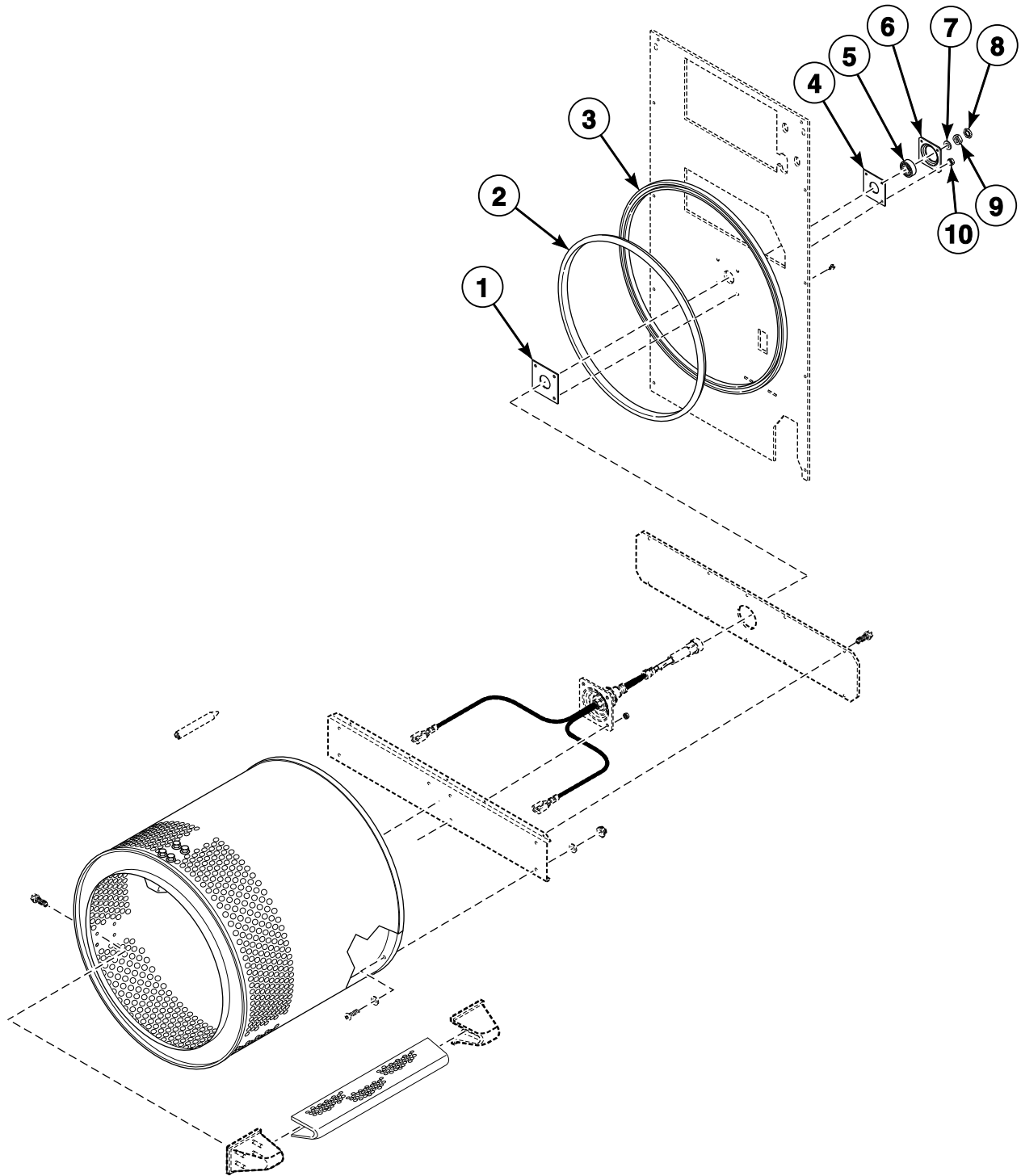


TMB3163PB_70304801

Cylinder and Trunnion Components

REF	PART NO.	DESCRIPTION	COMMENTS
	70343101P	Drywall Screw Magnet Kit	Includes 6 magnets and 6 screws
1	70372503P	Cylinder Assembly	T30 K models; Non-moisture sensing
	70372501P	Cylinder Assembly	All other T30 models; Galvanized; Non-moisture sensing
	70372502P	Cylinder Assembly	All other T30 models; Stainless steel; Non-moisture sensing
	70372903	Cylinder Assembly	T45 K models; Non-moisture sensing
	70372901P	Cylinder Assembly	All other T45 models; Galvanized; Non-moisture sensing
	70372902P	Cylinder Assembly	All other T45 models; Stainless steel; Non-moisture sensing
	70443903	Cylinder and Trunnion Assembly	T30 G and K models; Moisture sensing
	70443901	Cylinder and Trunnion Assembly	All other T30 models; Galvanized; Moisture sensing
	70443902	Cylinder and Trunnion Assembly	All other T30 models; Stainless steel; Moisture sensing
	70444003	Cylinder and Trunnion Assembly	T45 G and K models; Moisture sensing
	70444001	Cylinder and Trunnion Assembly	All other T45 models; Galvanized; Moisture sensing
70444002	Cylinder and Trunnion Assembly	All other T45 models; Stainless steel; Moisture sensing	
2	62588	Screw	
3	263P4	Cylinder Guide Tool	
4	70257101	Rear Cylinder Channel	T30 models; Non-moisture sensing
	70257102	Rear Cylinder Channel	T30 models; Moisture sensing
	70305201	Rear Cylinder Channel	T45 models; Non-moisture sensing
	70305202	Rear Cylinder Channel	T45 models; Moisture sensing
5	M4960P3	Trunnion and Seal Kit	T30 models; Also order 511637P Adhesive; Non-moisture sensing
	M4962P3	Trunnion and Seal Kit	T45 models; Also order 511637P Adhesive; Non-moisture sensing
	70454601	Trunnion and Wire Assembly	Moisture sensing; Includes 70244702 Trunnion Assembly
6	70257201	Rear Cylinder Channel Plate	T30 models
	70305301	Rear Cylinder Channel Plate	T45 models
7	430497	Screw	10 required
8	M412986	Nut	
9	M400080	Washer	Models through Serial No. 0708006765
10	70411301	Washer	Models starting Serial No. 0708006766
11	70070101	End Cap	Non-moisture sensing
	70070102	End Cap	Moisture sensing
12	70433002	Cylinder Rib Assembly	T30 models; Moisture sensing
	70433001	Cylinder Rib Assembly	T45 models; Moisture sensing
13	70392801	Bolt	8 required

Bearing Components

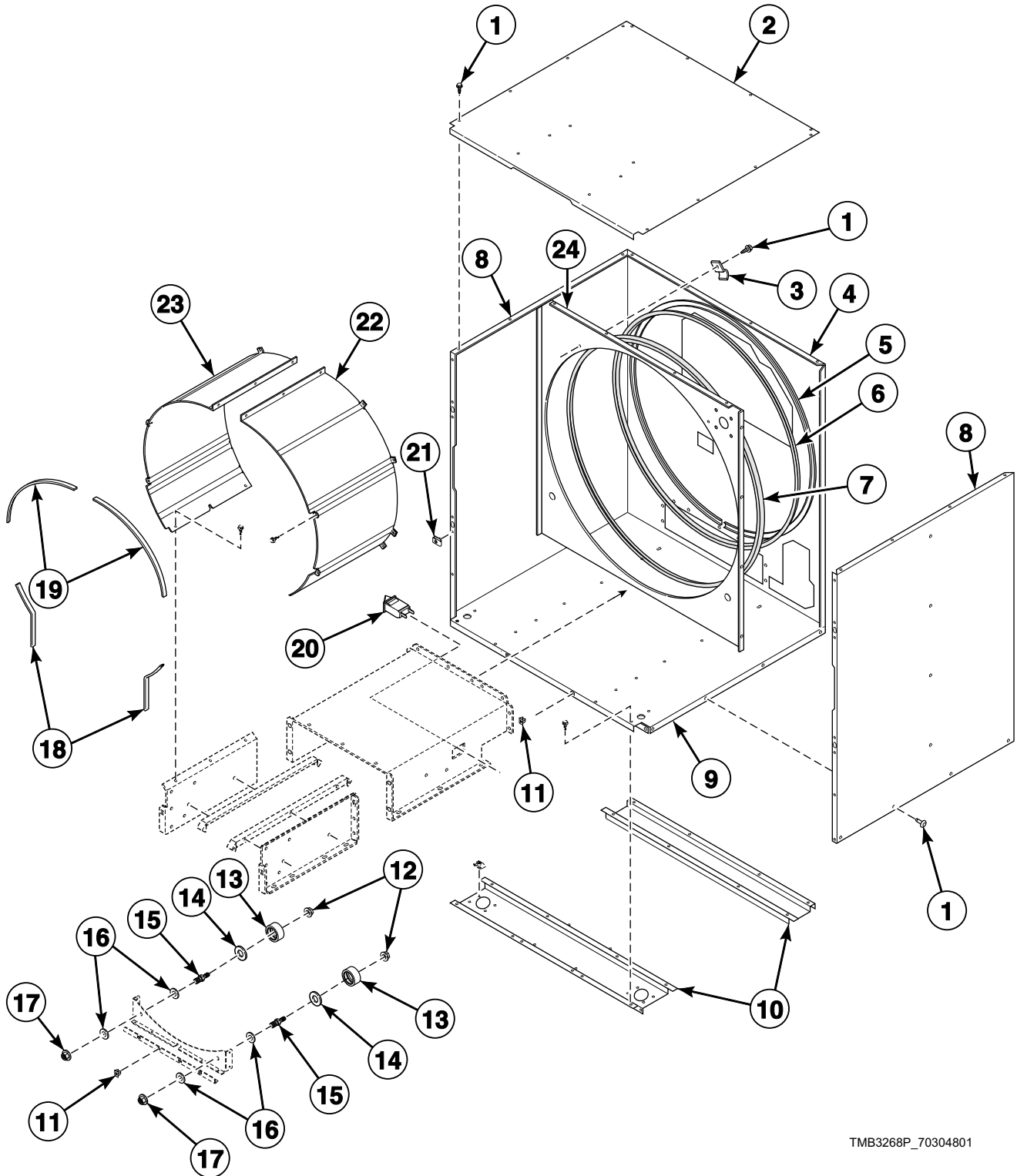


TMB3163PA_70304801

Bearing Components

REF	PART NO.	DESCRIPTION	COMMENTS
1	430352	Cylinder Bearing Stud Plate Assembly	
2	70013701P	Rear Cylinder Seal	T30 models; Requires 511637P Adhesive
	70013703	Rear Cylinder Seal	T45 models; Requires 511637P Adhesive
3	70017201	Rear Cylinder Seal Support	T30 models
	70305401	Rear Cylinder Seal Support	T45 models
4	70355001	Rear Bearing Shim	
5	70448701	Support Bearing	
6	70013901	Rear Cylinder Bearing Housing	
7	M400991	Washer	
8	M400034	Nut	
9	M400022	Nut	
10	M412986	Nut	
	70411301	Washer	Models starting Serial No. 0708006766

Cabinet Components



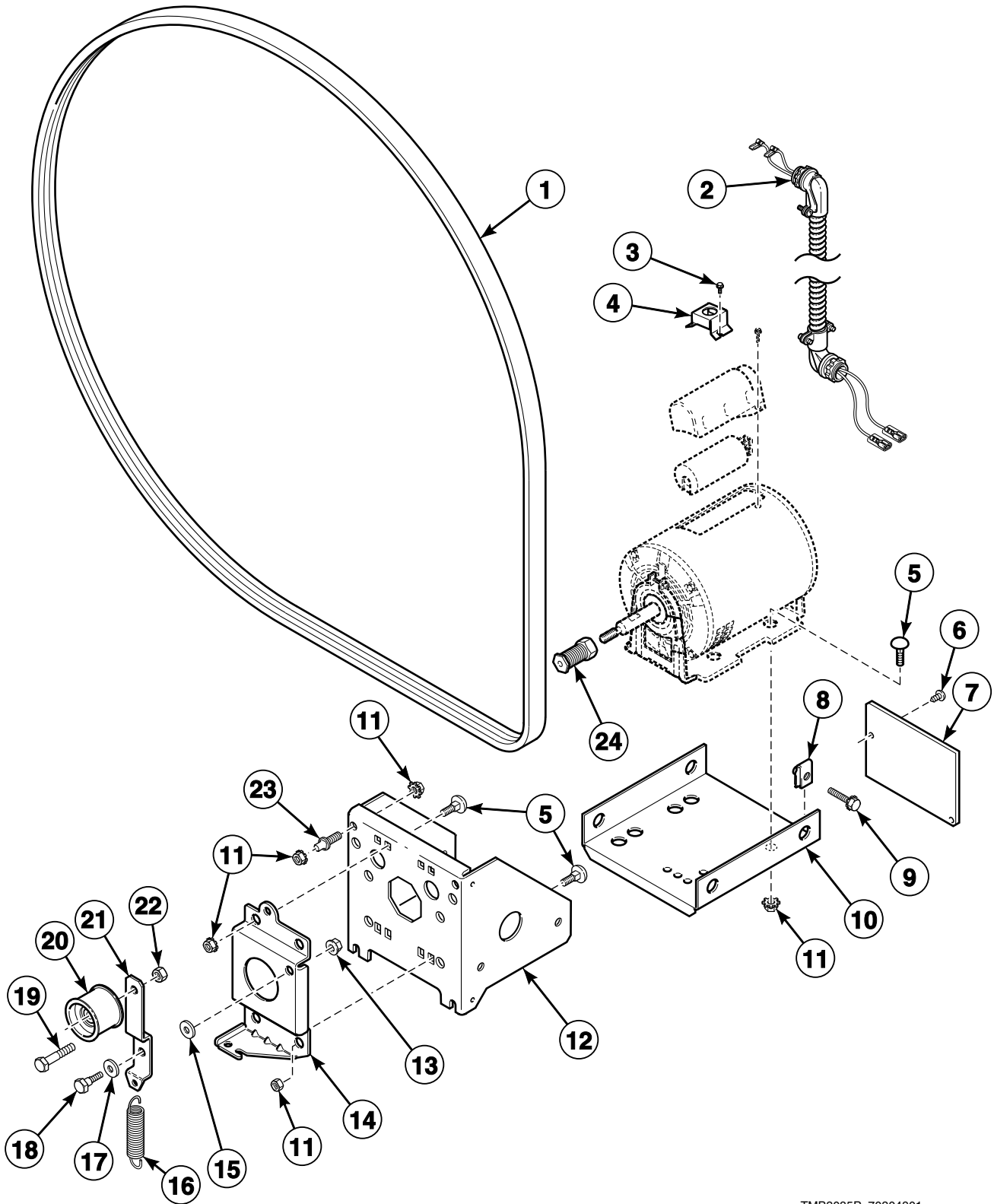
TMB3268P_70304801

Cabinet Components

REF	PART NO.	DESCRIPTION	COMMENTS
	430352	Cylinder Bearing Stud Plate Assembly	
	70058501	Pop Rivet	
	21899	Nut	For leveling legs
	70247701	Screw	For leveling legs
	298P4P	Spray Paint	White
	297P4	Spray Paint	Almond
	286P4	Spray Paint	Blue
	122P4P	Porcelain Touch-Up Paint	White
	215P4P	Porcelain Touch-Up Paint	Almond
	370P4P	Porcelain Touch-Up Paint	Bisque
1	430497	Screw	
2	70357701	Top Panel Assembly	T30 models; Upper; Includes threaded insert
	70357801	Top Panel Assembly	T45 models; Upper; Includes threaded insert
3	70226701	Clip	
4	70339401	Rear Panel	T30 gas models
	70339402	Rear Panel	T30 electric and steam models
	70301701	Rear Panel	T45 models
5	70017201	Rear Cylinder Seal Support	T30 models
	70305401	Rear Cylinder Seal Support	T45 models
6	70013701P	Rear Cylinder Seal	T30 models
	70013703	Rear Cylinder Seal	T45 models
7	70066003	Center Cylinder Seal Assembly	T30 models; Includes center cylinder seal support and center cylinder seal
	70066005	Center Cylinder Seal	T45 models; Includes center cylinder seal support and center cylinder seal
8	70231801*P	Side Panel	T30 models
	70301801*P	Side Panel	T45 models
9	70339501	Top Panel	T30 models; Lower
	70302001	Top Panel	T45 models; Lower
10	70288201	Channel Base Assembly	T30 models
11	70030501	Expansion Clip	
12	430576	Nut	
13	70298701P	Roller Bearing Assembly	
14	70443601	Roller Seal	Models starting 3/1/10
15	70249501	Roller Shaft	
16	70261401	Washer	
17	70288801	Nut	
18	70015711	Sheet Metal Edge Gasket	T30 models; Lower
	70015707	Sheet Metal Edge Gasket	T45 models; Lower
19	70015712	Sheet Metal Edge Gasket	T30 models; Upper
	70015708	Sheet Metal Edge Gasket	T45 models; Upper
20	431159	Switch	For lint drawer
21	70030401	Nut	
22	70339301	Cylinder Shroud	T30 models; Right
	70301901	Cylinder Shroud	T45 models; Right
23	70339302	Cylinder Shroud	T30 models; Left
	70301902	Cylinder Shroud	T45 models; Left
24	70339201	Center Partition	T30 models
	70301601	Center Partition	T45 models

* Add Letter To Designate Color. L - Almond Q - Bisque W - White

Drive Motor Components

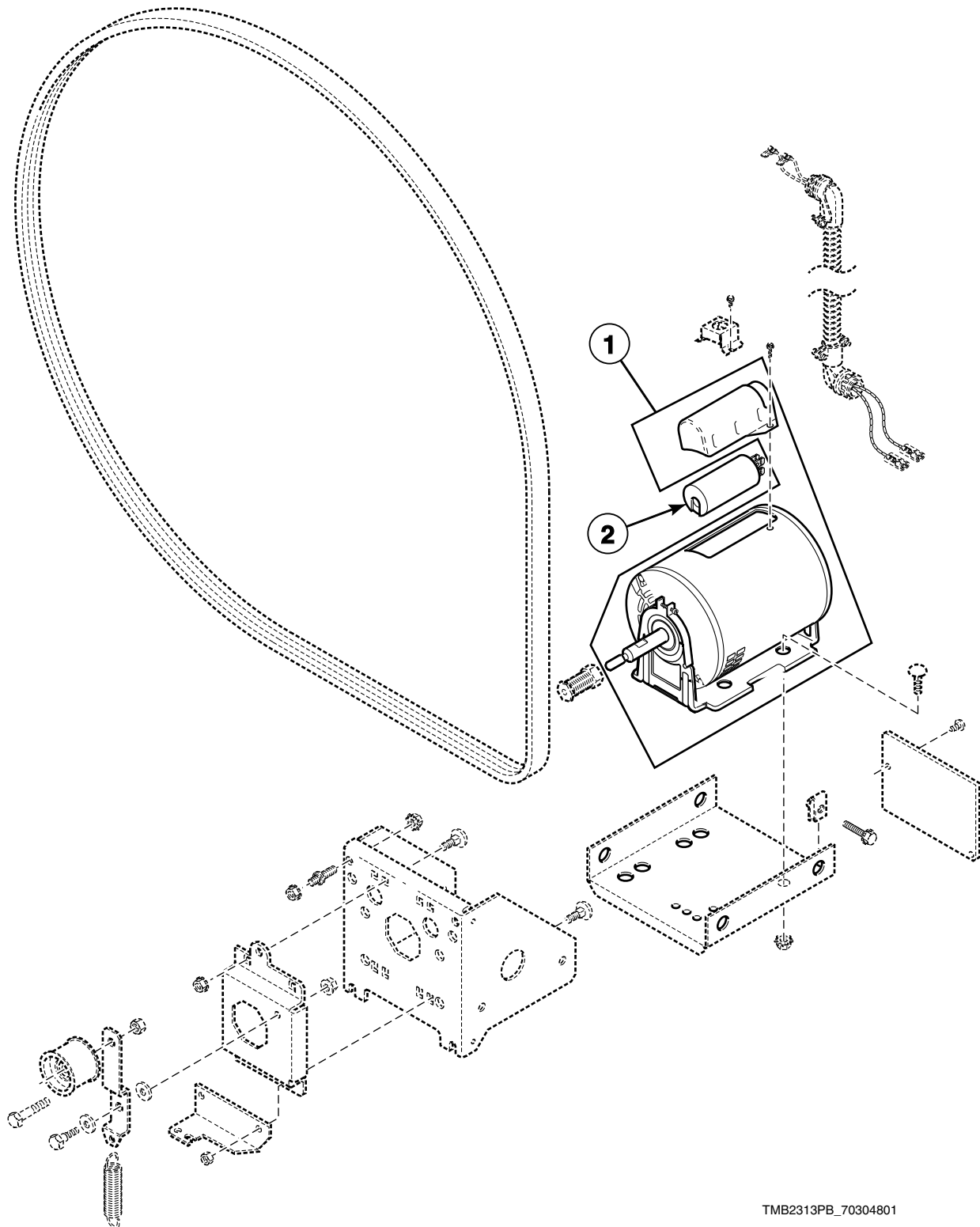


TMB3085P_70304801

Drive Motor Components

REF	PART NO.	DESCRIPTION	COMMENTS
	M4853P3	Belt Tension Tool Kit	
1	70276201P	Belt	T30 models
	70276204P	Belt	T45 models
2	70316701P	Cylinder Motor Harness	Models through 2/28/10; 1 Phase models; 3 Phase electric models with 240 Volt and below
	70316801P	Cylinder Motor Harness	Models through 2/28/10; 3 Phase models except electric models with 240 Volt and below
	70439901	Cylinder Motor Harness	Models starting 3/1/10; 1 Phase models; 3 Phase electric models with 240 Volt and below
	70440301	Cylinder Motor Harness	Models starting 3/1/10; 3 Phase models except electric models with 240 Volt and below
3	23222	Screw	
4	70321701	Motor Conduit Mounting Bracket	
5	70062401	Bolt	
6	430497	Screw	
7	70202501	Drive Access Cover	
8	27222	Nut	4 required
9	M412985	Screw	
10	70127301	Motor Mount Bracket	T30 models
	70312001	Motor Mount Bracket	T45 models
11	M412986	Nut	
12	70261701	Motor Channel	
13	29796	Nut	
14	70443301	Idler Bracket	
15	70270301	Washer	
16	70045301	Drum Idler Spring	With silencer
17	70265901	Washer	
18	431539	Screw	
19	430648	Screw	
20	70050401P	Idler Wheel Assembly	
21	70259901	Cylinder Idler Arm	
22	56156	Nut	
23	70334701	Double Ended Stud	
24	70284203	Motor Pulley	T30 models; 50 Hertz
	70284201	Motor Pulley	T30 models; 60 Hertz
	70284204	Motor Pulley	T45 models; 50 Hertz
	70284208	Motor Pulley	T45 models; 60 Hertz

Drive Motors and Motor Capacitors

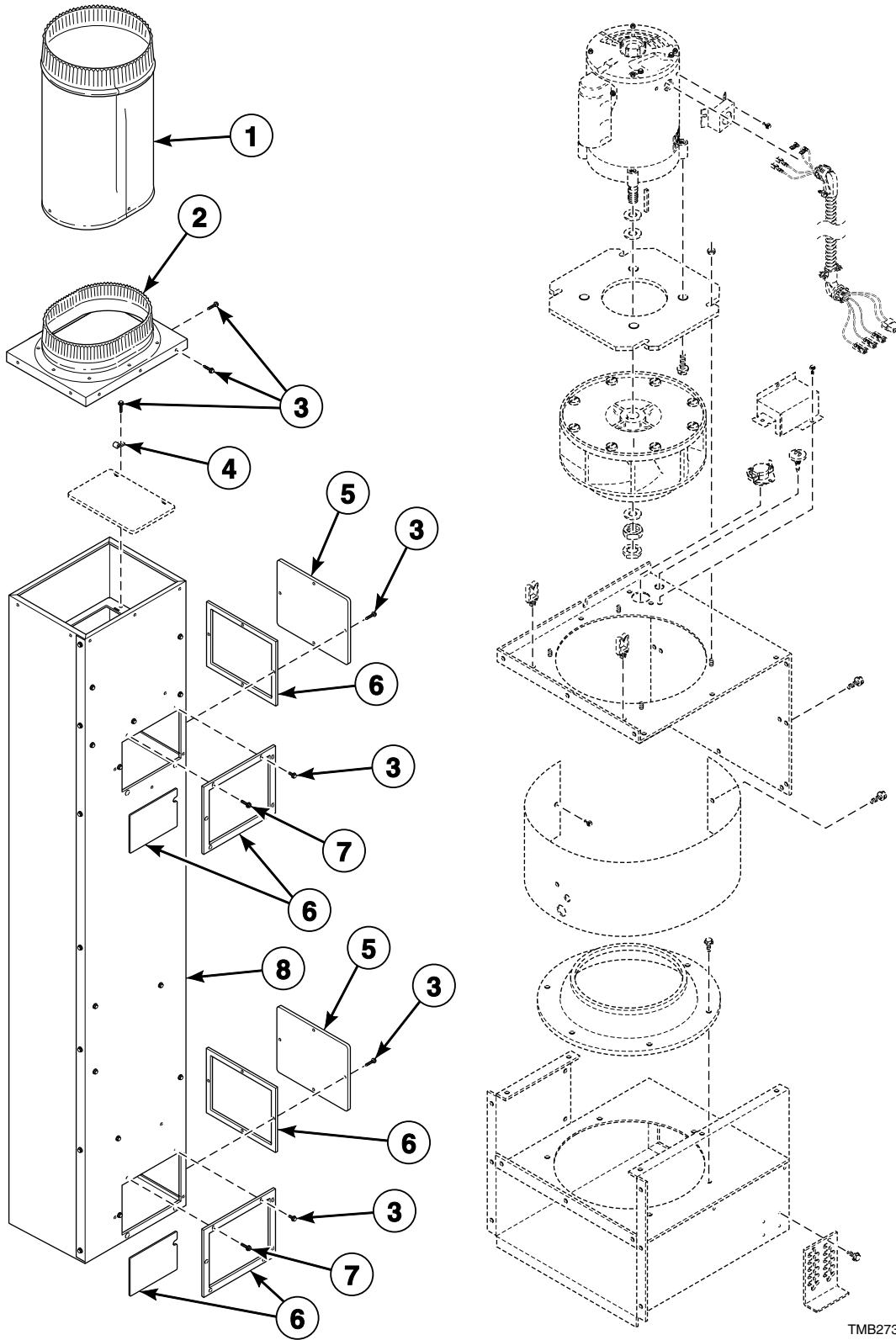


TMB2313PB_70304801

Drive Motors and Motor Capacitors

REF	PART NO.	DESCRIPTION	COMMENTS
1	70337901P	Drive Motor Kit	T30 models; 120-240 Volt/60 Hertz/1 Phase; Low Amp
	70338001P	Drive Motor Kit	T30 models; 230-240 Volt/50 Hertz/1 Phase; No run capacitor
	70338101P	Drive Motor	T30 models; 200-480 Volt/60 Hertz/3 Phase and 200-415 Volt/50 Hertz/3 Phase; No capacitors
	70392901P	Drive Motor	T45 models; 100-120 or 208-240 Volt/60 Hertz/1 Phase
	70298401P	Drive Motor	T45 models; 200-240 Volt/60 Hertz/3 Phase; No capacitors
	70401501	Drive Motor	T45 models; 100 or 200 Volt/50 Hertz/1 Phase; No run capacitor
	70401601	Drive Motor	T45 models; 230-240 Volt/50 Hertz/1 Phase; No run capacitor
	70401701	Drive Motor	T45 models; 380 Volt/50 Hertz/3 Phase; No capacitors
	70401801	Drive Motor	T45 models; 400-415 Volt/50 Hertz/3 Phase; No capacitors
2	70211502	Motor Capacitor	T30 models; Start; For 70337901 Drive Motor on 20 Amp models
	70211401	Motor Capacitor	T30 models; Run; For 70337901 Drive Motor on 20 Amp models
	M410296	Motor Capacitor	T30 models; Start; For 70338001P Drive Motor Kit
	70413101	Motor Capacitor	T45 models; Start; For 70392901P Drive Motor
	70413201	Motor Capacitor	T45 models; Run; For 70392901P Drive Motor
	70435702	Motor Capacitor	T45 models; Start; For 70401501 Drive Motor
	70435701	Motor Capacitor	T45 models; Start; For 70401601 Drive Motor

Exhaust Components

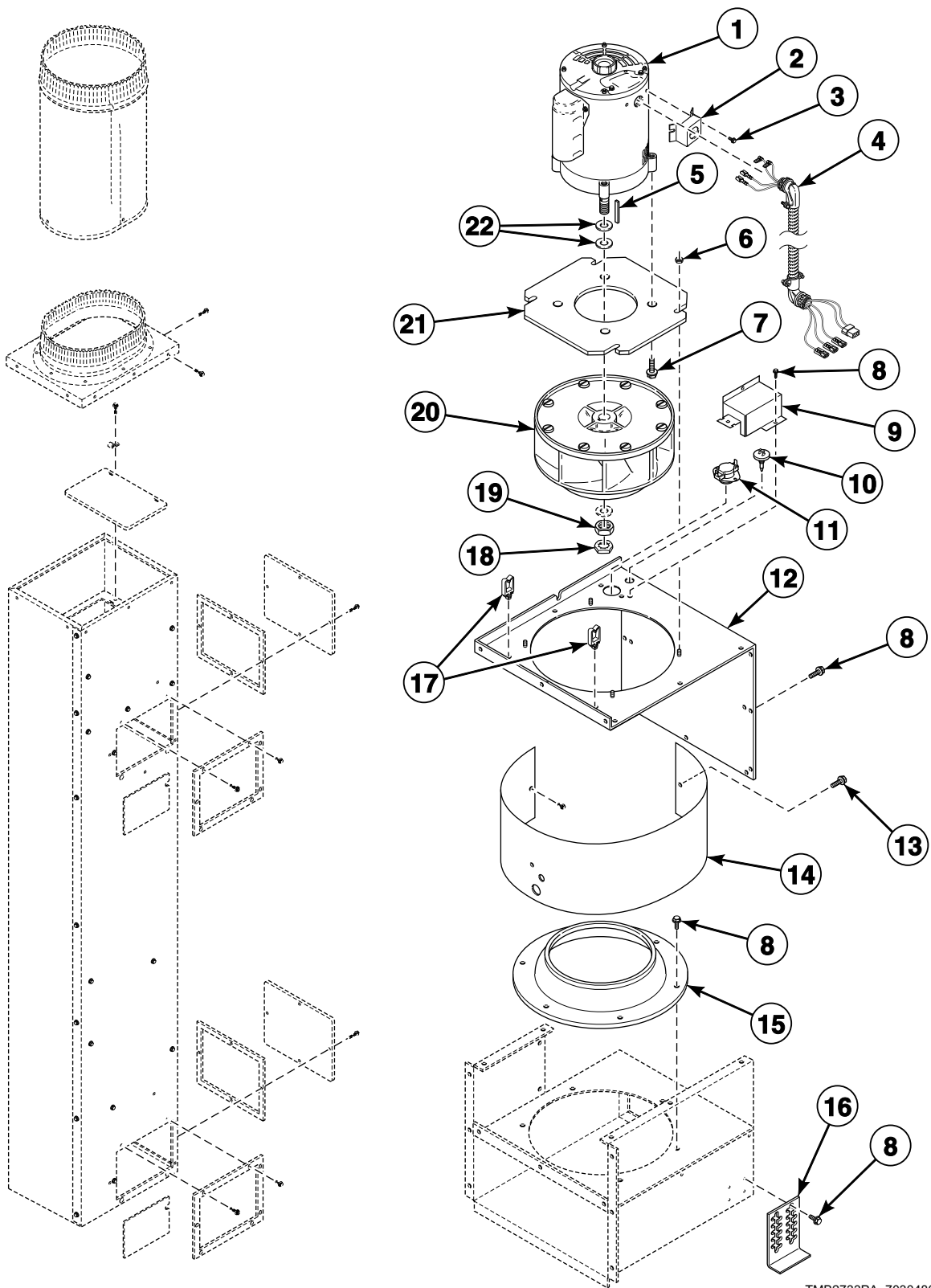


TMB2733P_70304801

Exhaust Components

REF	PART NO.	DESCRIPTION	COMMENTS
	70289101P	Lint Panel Gasket	Sold per foot
1	70425801	Exhaust Pipe Assembly	T45 CE models
	44154301	Exhaust Pipe	T30 CE models
2	70207501	Duct Cover	T30 models
	70307601	Duct Cover	T45 models
3	430497	Screw	12 required
4	70226701	Clip	
5	70340301	Duct Access Cover	T30 models; 2 required
	70308701	Duct Access Cover	T45 models
6	70340401	Exhaust Duct Gaskets Assembly	T30 models; 2 required
	70302801P	Exhaust Duct Gaskets Assembly	T45 models; 2 required
7	M411072	Screw	2 required
8	70340502	Exhaust Duct Assembly	T30 CE models; Includes cap, dampers and gaskets; Order blower housing scroll separately
	70340501	Exhaust Duct Assembly	All other T30 models; Includes cap, dampers and gaskets; Order blower housing scroll separately
	70311902	Exhaust Duct Assembly	T45 CE models; Includes cap, dampers and gaskets; Order blower housing scroll separately
	70311901	Exhaust Duct Assembly	All other T45 models; Includes cap, dampers and gaskets; Order blower housing scroll separately

Blower Components

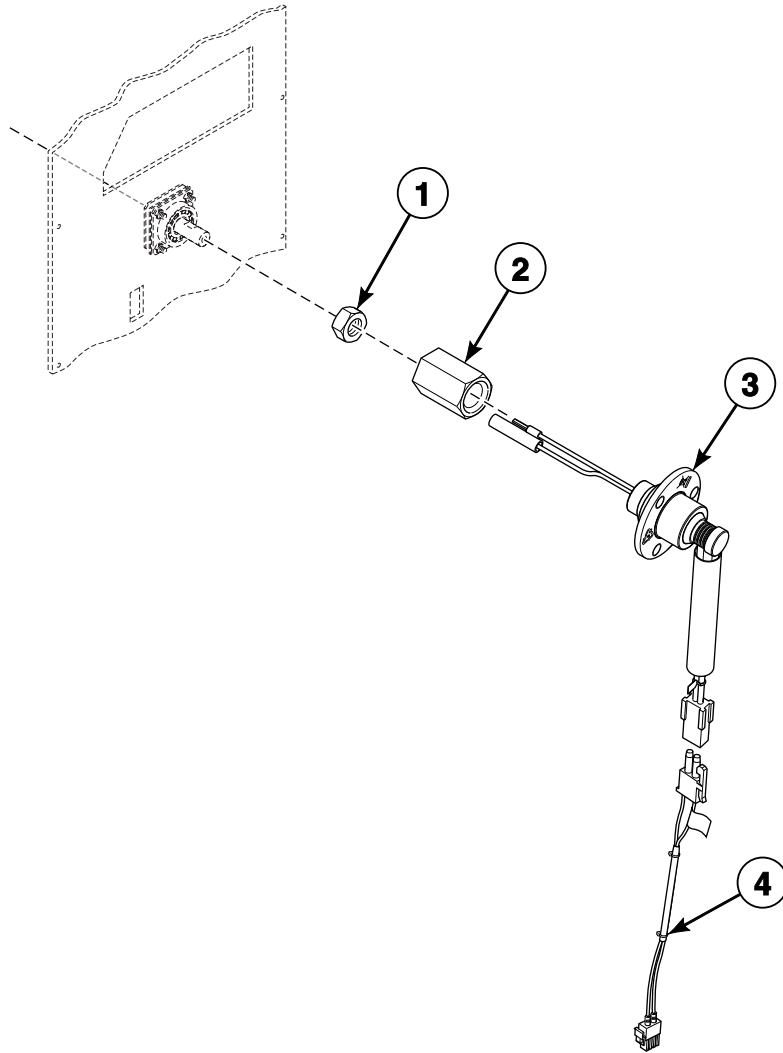


TMB2733PA_70304801

Blower Components

REF	PART NO.	DESCRIPTION	COMMENTS
	70392701P	Gasket	For blower housing opening
1	70337601P	Blower Motor Kit	T30 models; 120-240 Volt/60 Hertz/1 Phase; Low Amp
	70337701P	Blower Motor Kit	T30 models; 230-240 Volt/50 Hertz/1 Phase
	70342601P	Blower Motor	200-480 Volt/60 Hertz/3 Phase and 200-415 Volt/50 Hertz/3 Phase
	70297901P	Blower Motor	T45 models; 100-120 or 208-240 Volt/60 Hertz/1 Phase
	70401401	Blower Motor	T45 models; 100 or 200 Volt/50 Hertz/1 Phase
2	70321701	Motor Conduit Mounting Bracket	
3	23222	Screw	
4	70440001P	Fan Motor Harness	1 Phase models; 3 Phase electric models with 240 Volt and below
	70317001	Fan Motor Harness	Models through 2/28/10; 3 Phase models except electric models with 240 Volt and below
	70440401	Fan Motor Harness	Models starting 3/1/10; 3 Phase models except electric models with 240 Volt and below
5	70144101	Key	
6	29786	Nut	4 required
7	70126101	Screw	4 required
8	430497	Screw	12 required
9	70346301	Thermistor Cover	
10	M414704	Thermistor	
11	M411307	Limit Thermostat	Auto reset
12	70341401	Blower Housing Cover Assembly	T30 models
	70322801	Blower Housing Cover Assembly	T45 models
13	51780	Screw	
14	70340801	Blower Housing Scroll	T30 models
	70303201	Blower Housing Scroll	T45 models
15	70014101	Blower Inlet Cone	T30 models
	70303101	Blower Inlet Cone	T45 models
16	70200301	Rear Stabilizer Bracket	
17	70366201	Wire Clip	2 required
18	M400034	Nut	
19	M400022	Nut	
20	70359801P	Blower Assembly	T30 models
	70302201P	Blower Assembly	T45 models
21	70341001	Blower Motor Mounting Plate	T30 models
	70303401	Blower Motor Mounting Plate	T45 models
22	M400991	Washer	3 required

Moisture Sensing Components

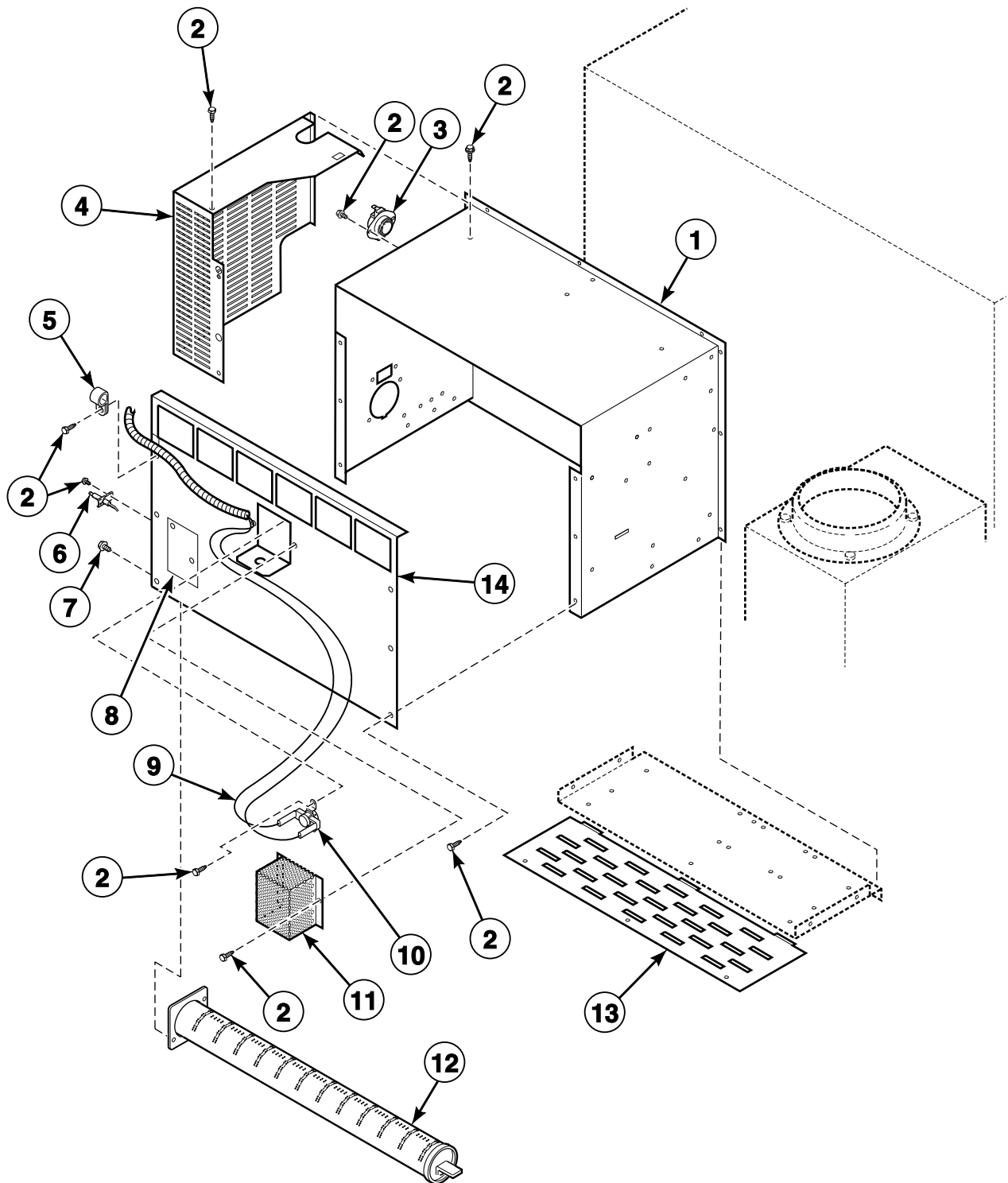


TMB3147P_70304801

Moisture Sensing Components

REF	PART NO.	DESCRIPTION	COMMENTS
	70468901	Moisture Sensor Test Wires	Use to troubleshoot the moisture sensor circuit
1	M400035	Nut	
2	44224401	Slip Ring Holder	
3	44240201	Slip Ring Assembly	
4	70448901	Moisture Sensor Harness Assembly	

Gas Burner Housing and Secondary Stove Limit

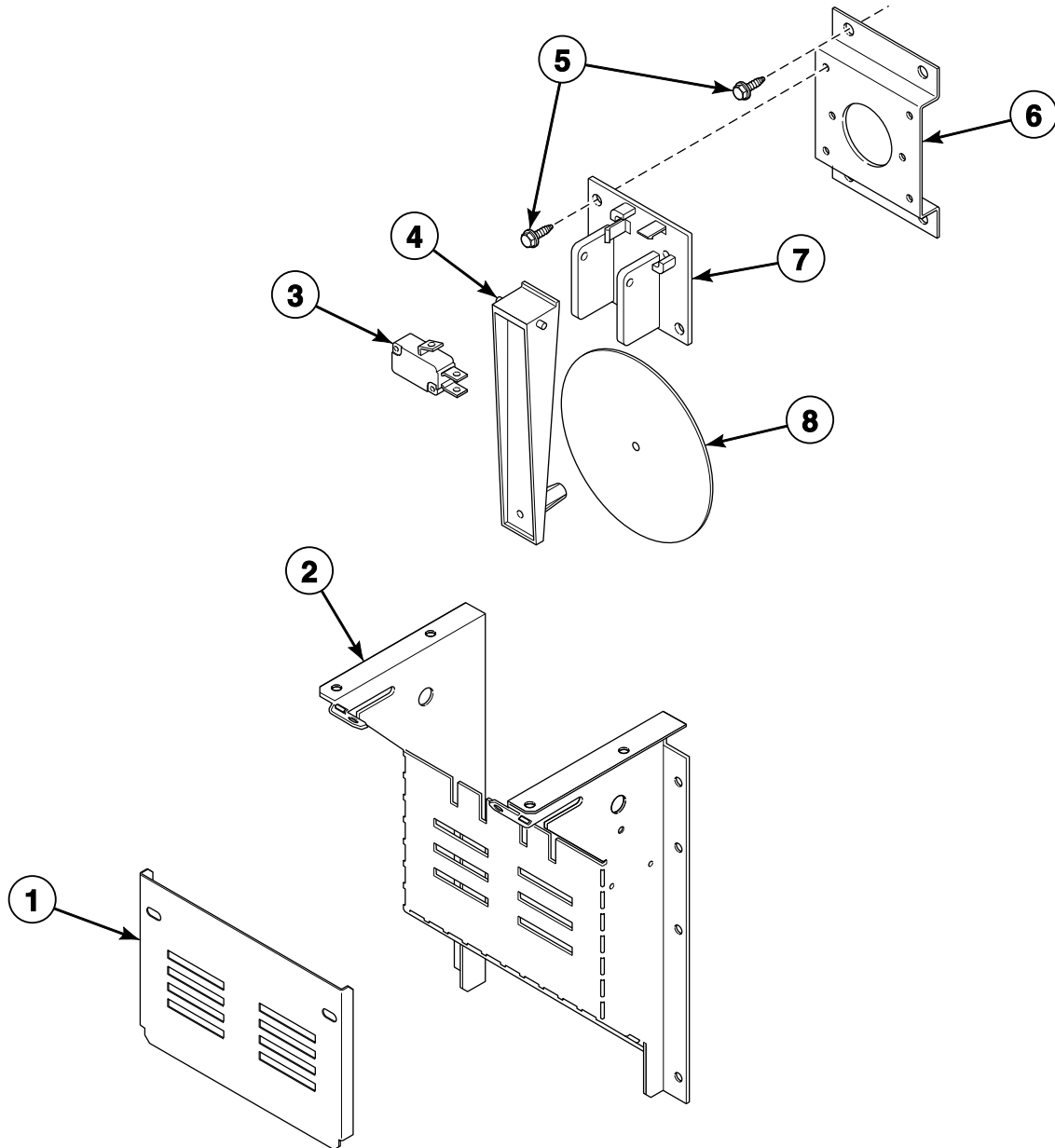


TMB2315P_70304801

Gas Burner Housing and Secondary Stove Limit

REF	PART NO.	DESCRIPTION	COMMENTS
	70316501	Stove Limit Harness	
	M4903P3	Stove Limits Kit	T30 Australian models; Models through Serial No. 0311000078; In addition, order 70299101 Secondary Stove Limit Kit
1	70333401	Stove Top and Sides	T30 models
	70306001	Stove Top and Sides	T45 models
2	430497	Screw	
3	M409219	Limit Thermostat	Non-CE models
	70397101	Manual Reset Thermostat	Australian models; T30 Korean models
	70186301	Manual Reset Thermostat	T45 Korean models
4	70233401	Gas Valve Cover	T30 Australian and CE models
	70425001	Gas Valve Cover	T45 Australian and CE models
5	70203701	Pipe Clip	
6	70032801P	Spark Electrode	Models through 9/16/12
	70466501P	Spark Electrode	Models starting 9/17/12
7	05161	Screw	
8	70159601	Igniter Cover	
9	70316501	Stove Limit Harness	
10	70299001	Limit Thermostat	
11	M414477	Thermostat Cover	
12	70229801P	Gas Burner	
13	70188801	Burner Grill	T30 models
	70306501	Burner Grill	T45 models
14	70371501	Stove Back	T30 models
	70375201	Stove Back	T45 models

Airflow Switch

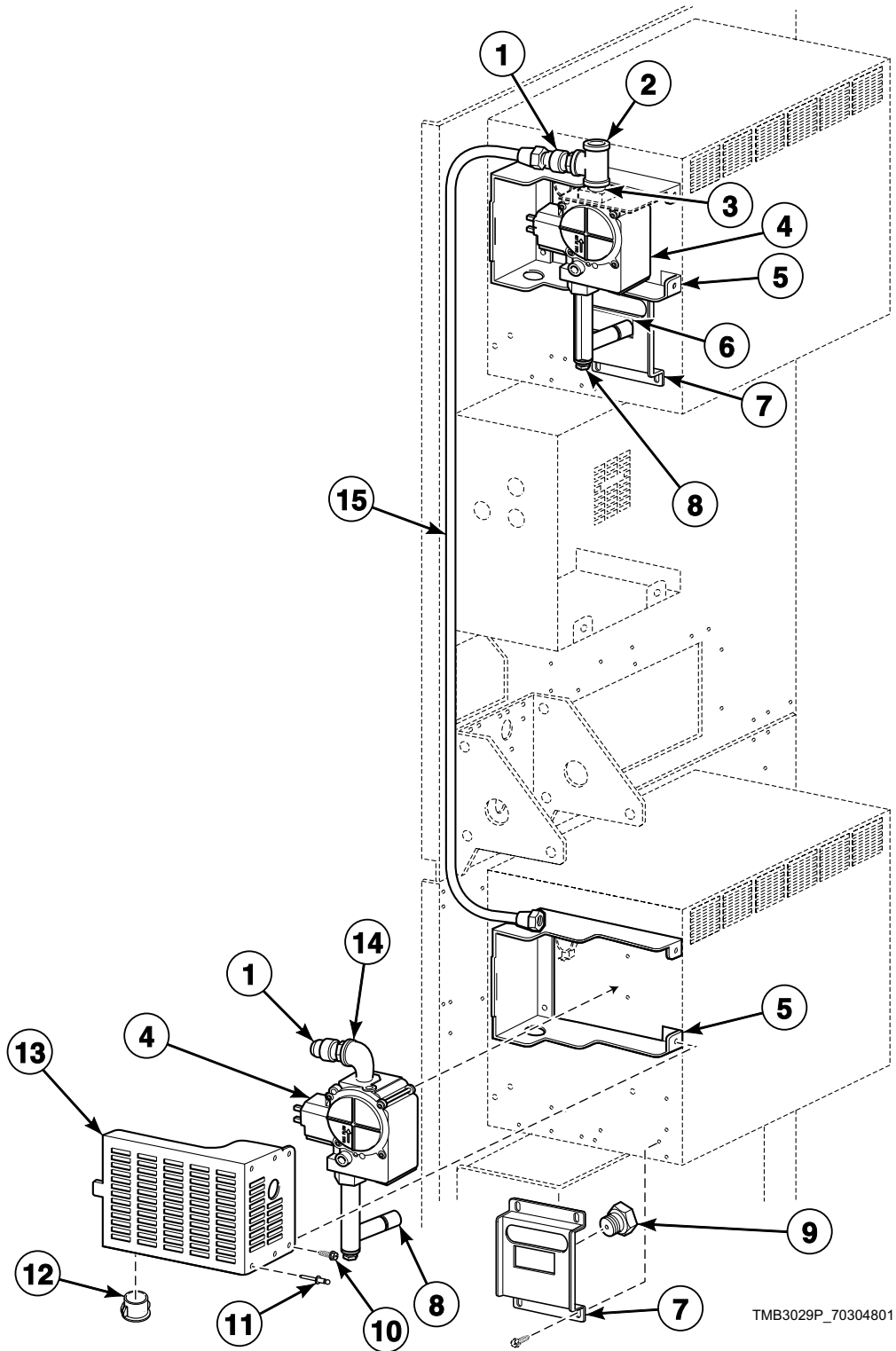


TMB3126P_70304801

Airflow Switch

REF	PART NO.	DESCRIPTION	COMMENTS
1	70356601	Airflow Switch Cover	Non-moisture sensing
	70465701	Airflow Switch Cover	Moisture sensing
2	70356101	Airflow Switch Wrapper	
3	70411901	Switch	
4	70319401	Airflow Switch Arm	
5	430497	Screw	
6	70356301	Switch Bracket	
7	70319601	Airflow Switch and Arm Bracket	
8	70319201	Airflow Switch Vane	

Gas Valve and Piping - Non-CE and Non-Australian Gas Models



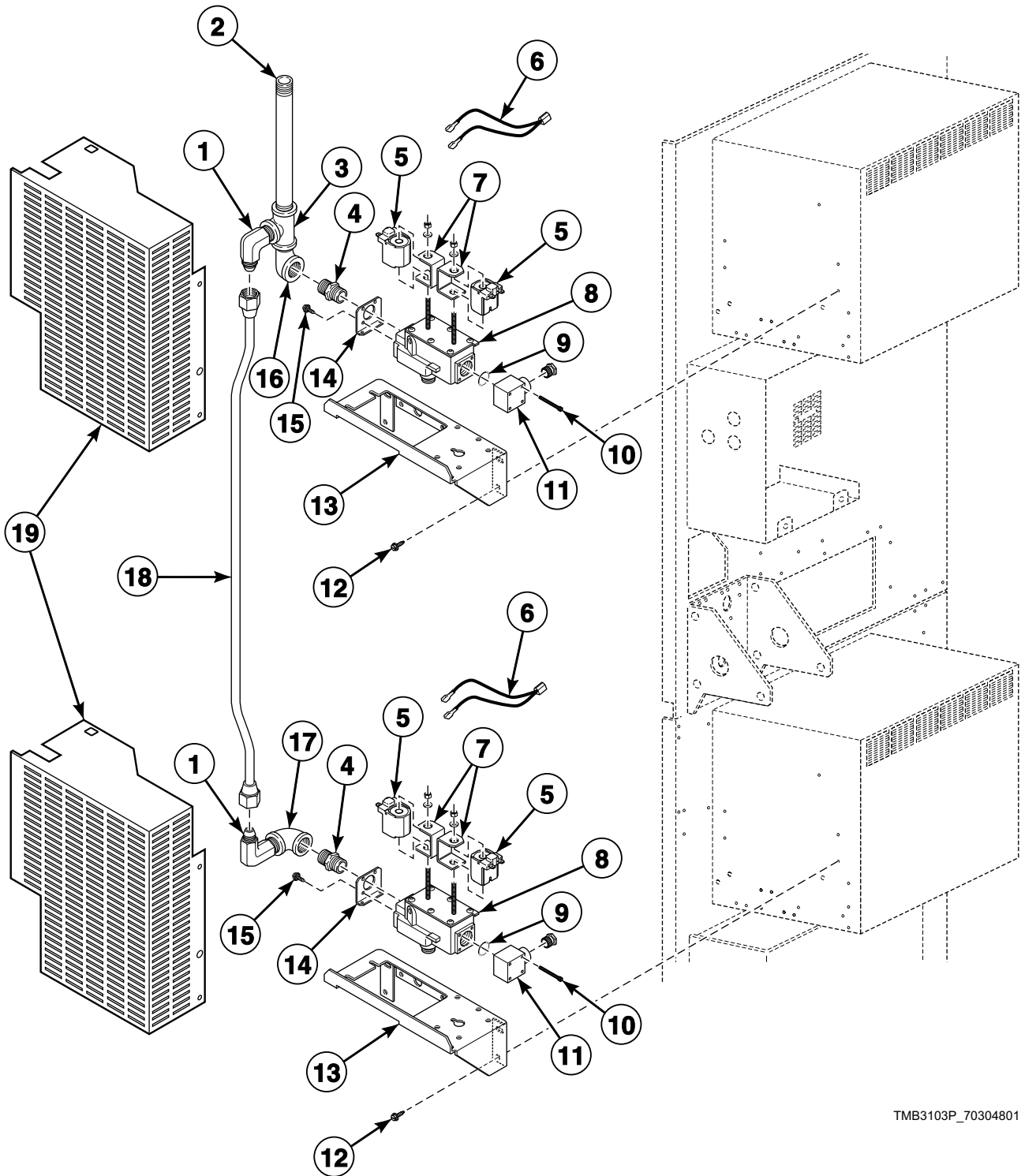
Gas Valve and Piping - Non-CE and Non-Australian Gas Models

REF	PART NO.	DESCRIPTION	COMMENTS
	M4970P3	Replacement Gas Valve Kit	Natural Gas (N.G.); Use to replace old valve before 12/15/09 with new valve
	M4972P3	Replacement Gas Valve Kit	Liquid Petroleum Gas (L.P.); Use to replace old valve before 12/15/09 with new valve
	M4707P3	L.P. Conversion Kit	T30 models; 0-2,000 feet
	M4880P3	L.P. Conversion Kit	T45 models; 0-2,000 feet
	M413650	Gas Valve Harness Assembly	
	M412997	Harness Assembly	
1	70262601	Pipe	
2	70267501	Pipe Tee	Models through 1/31/10
	70071801	Tee	Models starting 2/1/10
3	431486	Pipe Nipple	
4	44154501P	Gas Valve	N.G.
	44154502P	Gas Valve	L.P.
5	70328201	Forward Valve Cover	
6	70249001	Orifice Keeper Bracket	
7	70248901	Orifice Holder Bracket	
8	70435901P	Orifice Adapter	
9	M406361	Burner Orifice	T30 models; L.P.; 0-2,000 feet; Drill no. 40 (2.5 mm); *
	M403017	Burner Orifice	T30 models; L.P.; 2,001-6,000 feet; Drill no. 42 (2.4 mm); *
	M406184	Burner Orifice	T30 models; L.P.; 6,001-8,000 feet; Drill no. 43 (2.3 mm); *
	M401011	Burner Orifice	T30 models; L.P.; 8,001-10,000 feet; Drill no. 44 (2.2 mm); *
	M401002	Burner Orifice	T30 models; N.G.; 0-2,000 feet; Drill no. 20 (4.1 mm); *
	M402996	Burner Orifice	T30 models; N.G.; 2,001-4,000 feet; Drill no. 22 (4.0 mm); *
	M402980	Burner Orifice	T30 models; N.G.; 4,001-6,000 feet; Drill no. 24 (3.9 mm); *
	M401000	Burner Orifice	T30 models; N.G.; 6,001-8,000 feet; Drill no. 26 (3.7 mm); *
	M401014	Burner Orifice	T30 models; N.G.; 8,001-10,000 feet; Drill no. 28 (3.6 mm); *
	M411512	Burner Orifice	T45 models; L.P.; 0-2,000 feet; Drill no. 34 (2.8 mm); *
	M411375	Burner Orifice	T45 models; L.P.; 2,001-6,000 feet; Drill no. 36 (2.7 mm); *
	M411376	Burner Orifice	T45 models; L.P.; 6,001-8,000 feet; Drill no. 38 (2.6 mm); *
	M406361	Burner Orifice	T45 models; L.P.; 8,001-10,000 feet; Drill no. 40 (2.5 mm); *
	M411510	Burner Orifice	T45 models; N.G.; 0-2,000 feet; Drill no. 13 (4.7 mm); *
	M411511	Burner Orifice	T45 models; N.G.; 2,001-4,000 feet; Drill no. 15 (4.6 mm); *
	M411373	Burner Orifice	T45 models; N.G.; 4,001-6,000 feet; Drill no. 16 (4.5 mm); *
	M402988	Burner Orifice	T45 models; N.G.; 6,001-8,000 feet; Drill no. 18 (4.3 mm); *
	M401002	Burner Orifice	T45 models; N.G.; 8,001-10,000 feet; Drill no. 20 (4.1 mm); *
	M401007	Burner Orifice	50 Hertz; Models HTT45D and STT45D; Drill no. 39 (2.5 mm); *
		N/A	Burner Orifice
10	430497	Screw	
11	70058501	Pop Rivet	3/16 inch
12	M400770	Snap Bushing	
13	70282401	Rear Valve Cover	
14	H86070034	Street Elbow	
15	70281601	Tube	T30 models
	70281602	Tube	T45 models

N/A = Part no longer available

* NOTE: One orifice required per pocket

Gas Valve and Piping - T30 CE and Australian Gas Models



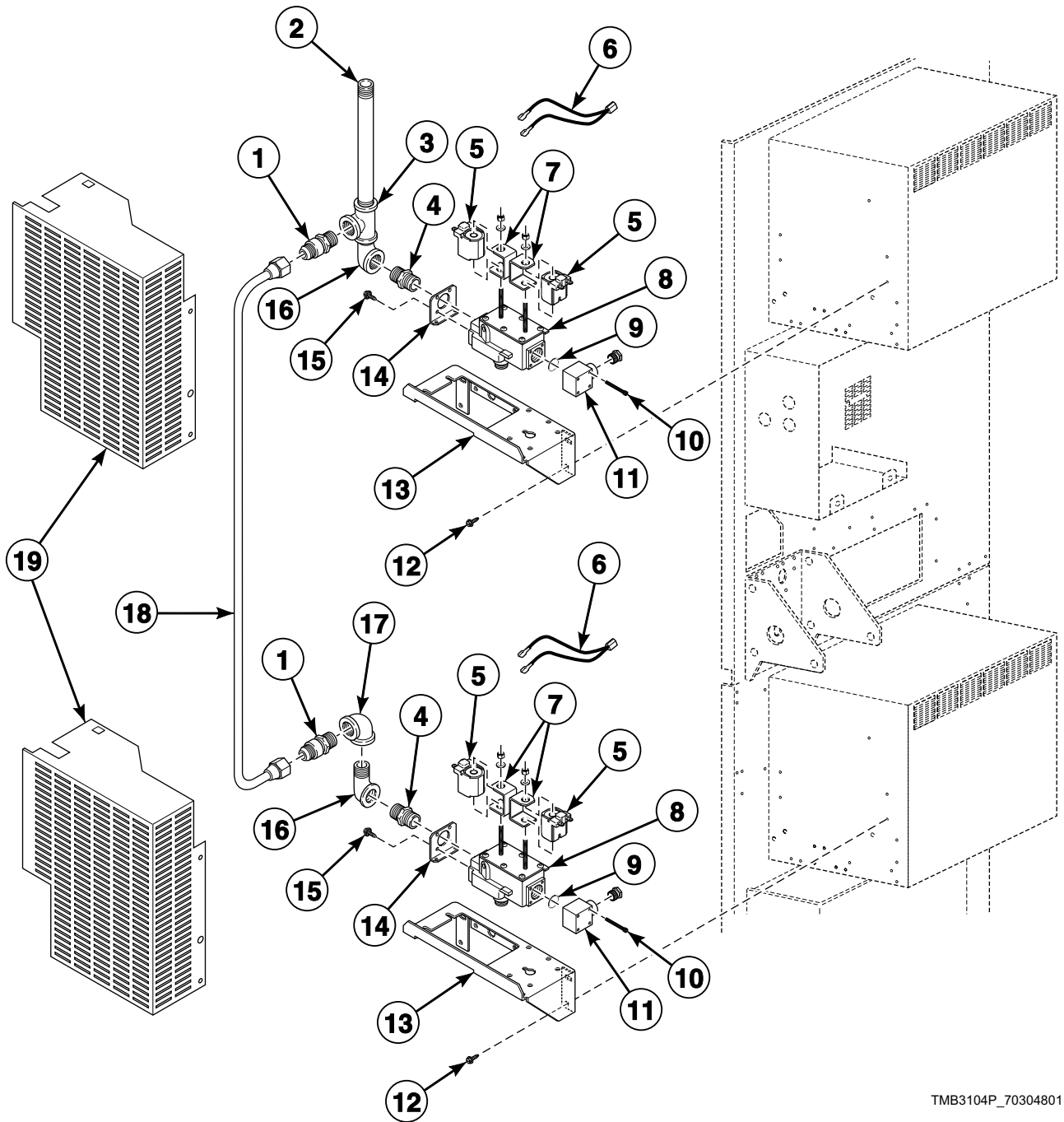
TMB3103P_70304801

Gas Valve and Piping - T30 CE and Australian Gas Models

REF	PART NO.	DESCRIPTION	COMMENTS
	M4733P3	N.G. Valve Conversion Kit	Regulated; Liquid Petroleum Gas (L.P.) to Natural Gas (N.G.)
	M4734P3	L.P. Valve Conversion Kit	Unregulated; N.G. to L.P.
	M4746P3	Valve Bracket and Cover Kit	Includes items 13 and 19
	M412997	Harness Assembly	
1	70208701	Elbow	
2	70210201	Pipe Nipple	
3	70071801	Tee	
4	70131901	Adapter	
5	70260101	Gas Valve Coil	24 Volt
6	M413650	Gas Valve Harness Assembly	
7	70260601	Valve Coil Bracket	
8	70457301P	N.G. Valve	
	70457302P	L.P. Valve	
9	431482	O-Ring	
10	431484	Screw	
11	70223501	Spud Adapter	
12	430497	Screw	
13	70233301	Gas Valve Bracket	
14	70457701	Valve Support Bracket	
15	23222	Screw	8 required
16	H86070034	Street Elbow	
17	70079601	Elbow	
18	70281603	Tube	
19	70233401	Gas Valve Cover	

NOTE: For CE gas and orifice information, refer to installation manual.

Gas Valve and Piping - T45 CE and Australian Gas Models



TMB3104P_70304801

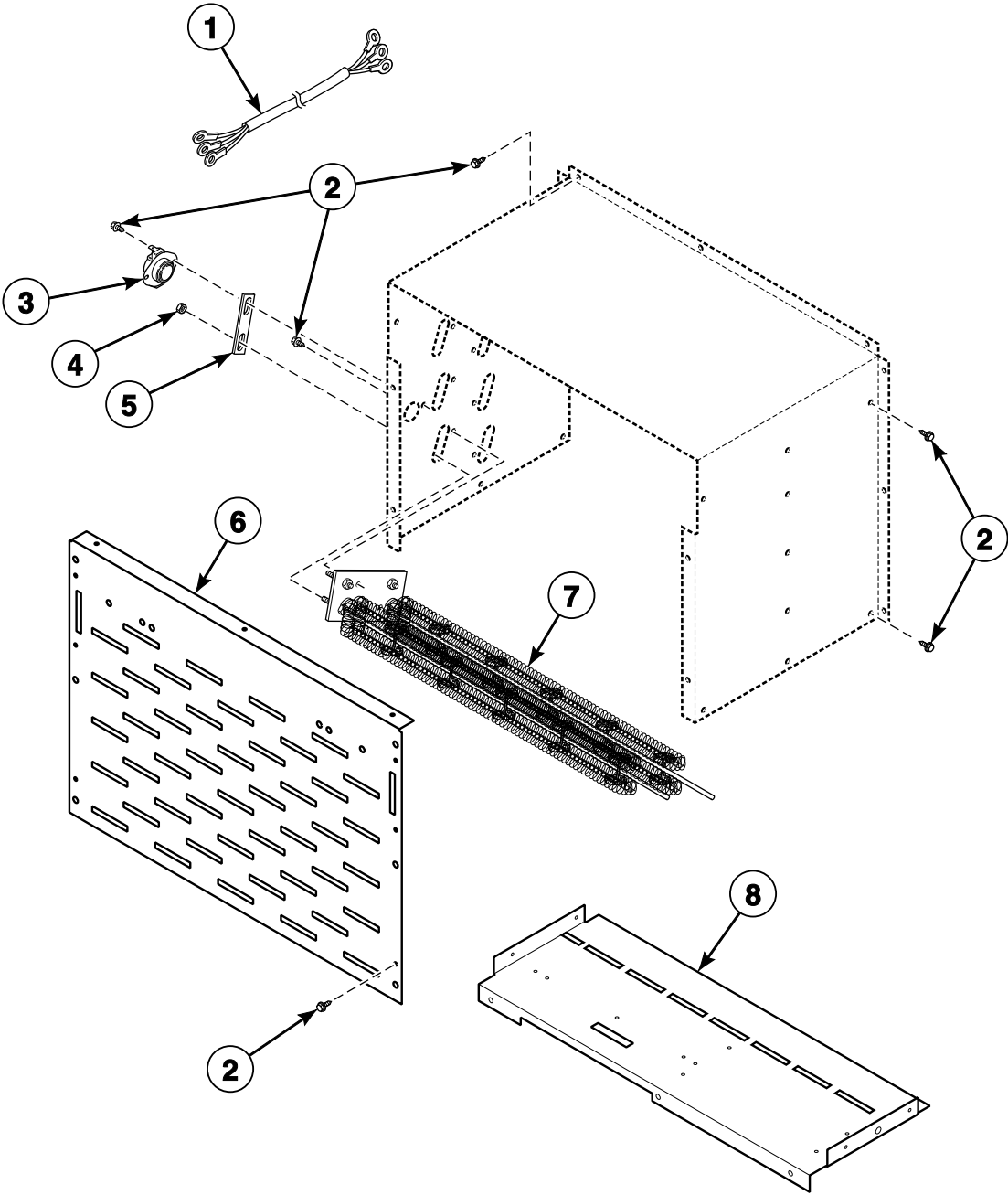
Gas Valve and Piping - T45 CE and Australian Gas Models

REF	PART NO.	DESCRIPTION	COMMENTS
	M4733P3	N.G. Valve Conversion Kit	Regulated; Liquid Petroleum Gas (L.P.) to Natural Gas (N.G.)
	M4734P3	L.P. Valve Conversion Kit	Unregulated; N.G. to L.P.
	M4746P3	Valve Bracket and Cover Kit	Includes items 13 and 19
	M412997	Harness Assembly	
1	70262601	Pipe	
2	70139601	Pipe Nipple	
3	70071801	Tee	
4	70131901	Adapter	
5	70260101	Gas Valve Coil	24 Volt
6	M413650	Gas Valve Harness Assembly	
7	70260601	Valve Coil Bracket	
8	70457301P	N.G. Valve	
	70457302P	L.P. Valve	
9	431482	O-Ring	
10	431484	Screw	
11	70223501	Spud Adapter	
12	430497	Screw	
13	70233301	Gas Valve Bracket	
14	70457701	Valve Support Bracket	
15	23222	Screw	8 required
16	H86070034	Street Elbow	
17	70079601	Elbow	
18	70281603	Tube	
19	70233401	Gas Valve Cover	

NOTE: For CE gas and orifice information, refer to installation manual.

Electric Heater Components

T30 Electric Models



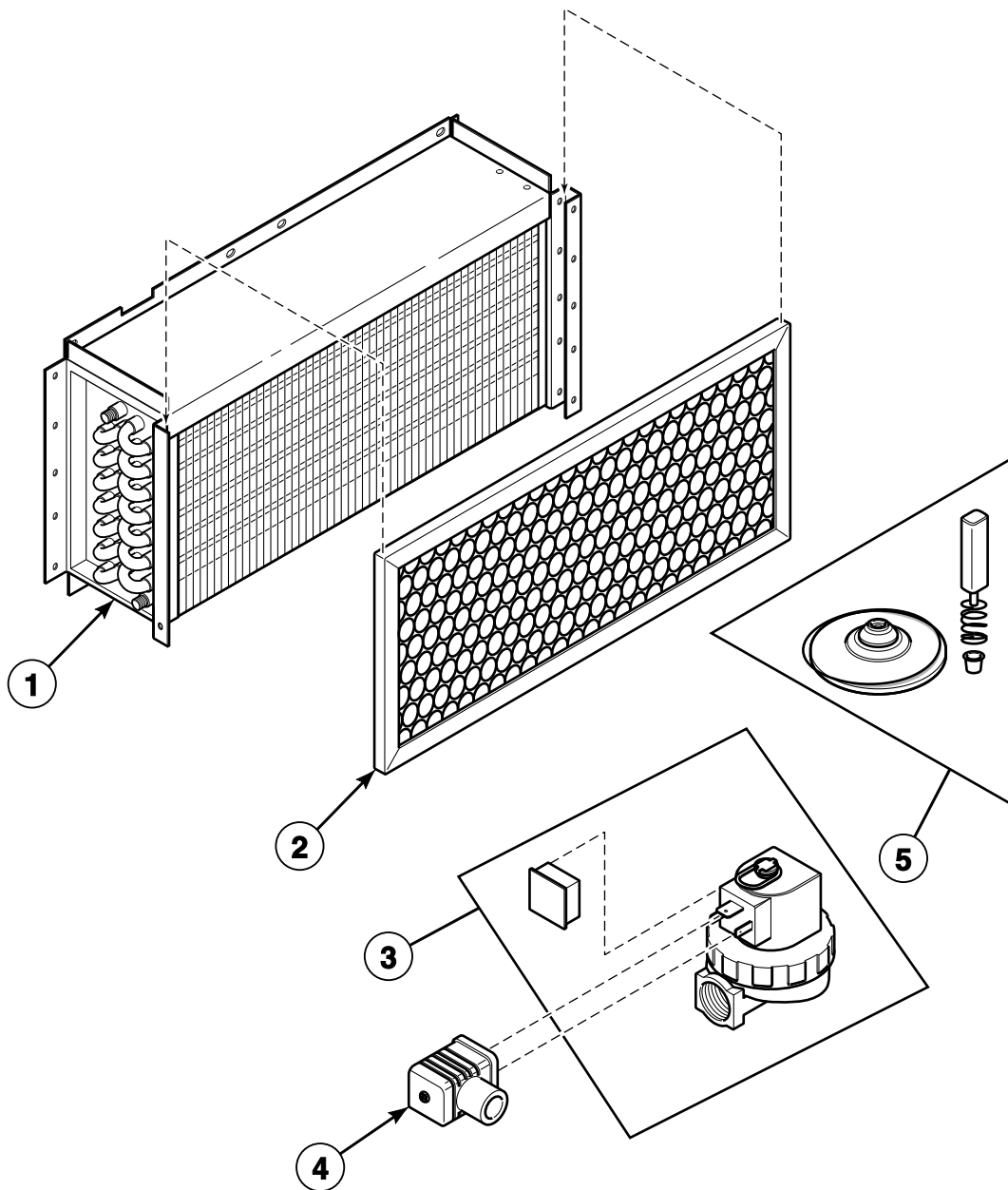
TMB3151P_70304801

Electric Heater Components

REF	PART NO.	DESCRIPTION	COMMENTS
1	70167901	Heater Cable Set Assembly	H1-H3
	70168001	Heater Cable Set Assembly	H4-H6; Models with 240 Volt and below
2	430497	Screw	
3	M410220	Limit Thermostat	
4	Q6163	Nut	
5	M400869	Jumper Strip	
6	70214901	Stove Grill	
7	70034401P	Heater Element	Non-CE and non-Australian models; 3 required; 7 kW; 208 Volt heater element for 200-208 Volt/1 or 3 Phase
	70034402P	Heater Element	3 required; 7 kW; 220 Volt heater element for 380 and 440 Volt/3 Phase
	70034403P	Heater Element	3 required; 7 kW; 240 Volt heater element for 230-240 Volt/1 or 3 Phase and 400-415 and 460-480 Volt/3 Phase
8	70333501	Lower Stove Cover	

Steam Heater Components

T30 Steam Models

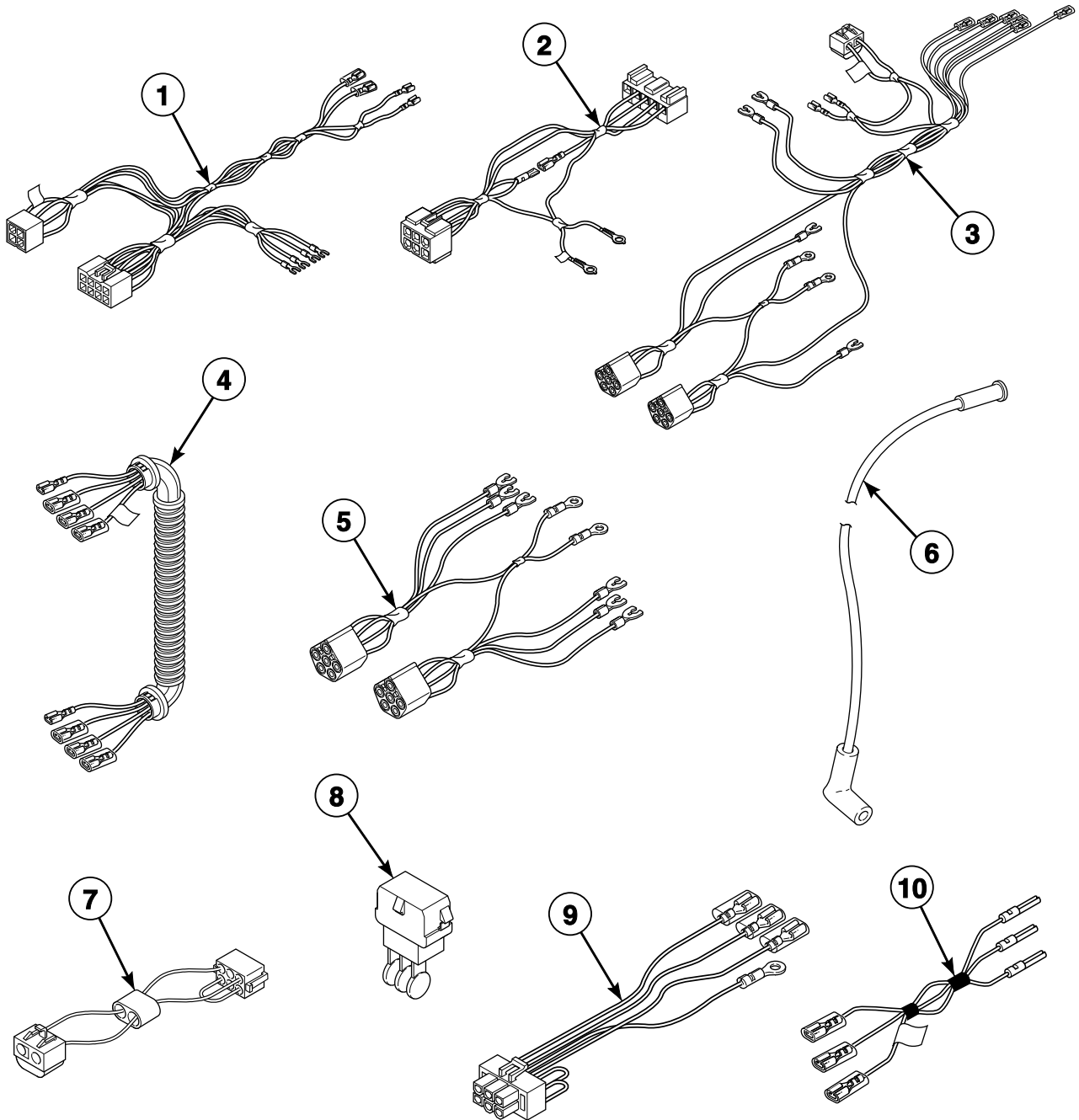


TMB3138P_70304801

Steam Heater Components

REF	PART NO.	DESCRIPTION	COMMENTS
	M412997	Harness Assembly	
1	70369101P	Steam Coil	4 coil
2	44172001	Filter	CE models
	70036001	Air Filter	All other models
3	F8521701	DIN Valve Kit	Models through Serial No. 1009000099
	F8322902	Steam Valve	Models starting Serial No. 1009000100
	70205701P	Steam Valve Coil	60 Hertz
	M412258	Steam Valve Coil	50 Hertz
4	70370301P	Solenoid Valve DIN Connector	
5	70351021P	Steam Valve Rebuild Kit	Use to rebuild 70351001P Steam Valve
	F8379502	Valve Rebuild Kit	Use to rebuild F8322902 Steam Valve

Control Tray Harness - Gas Models

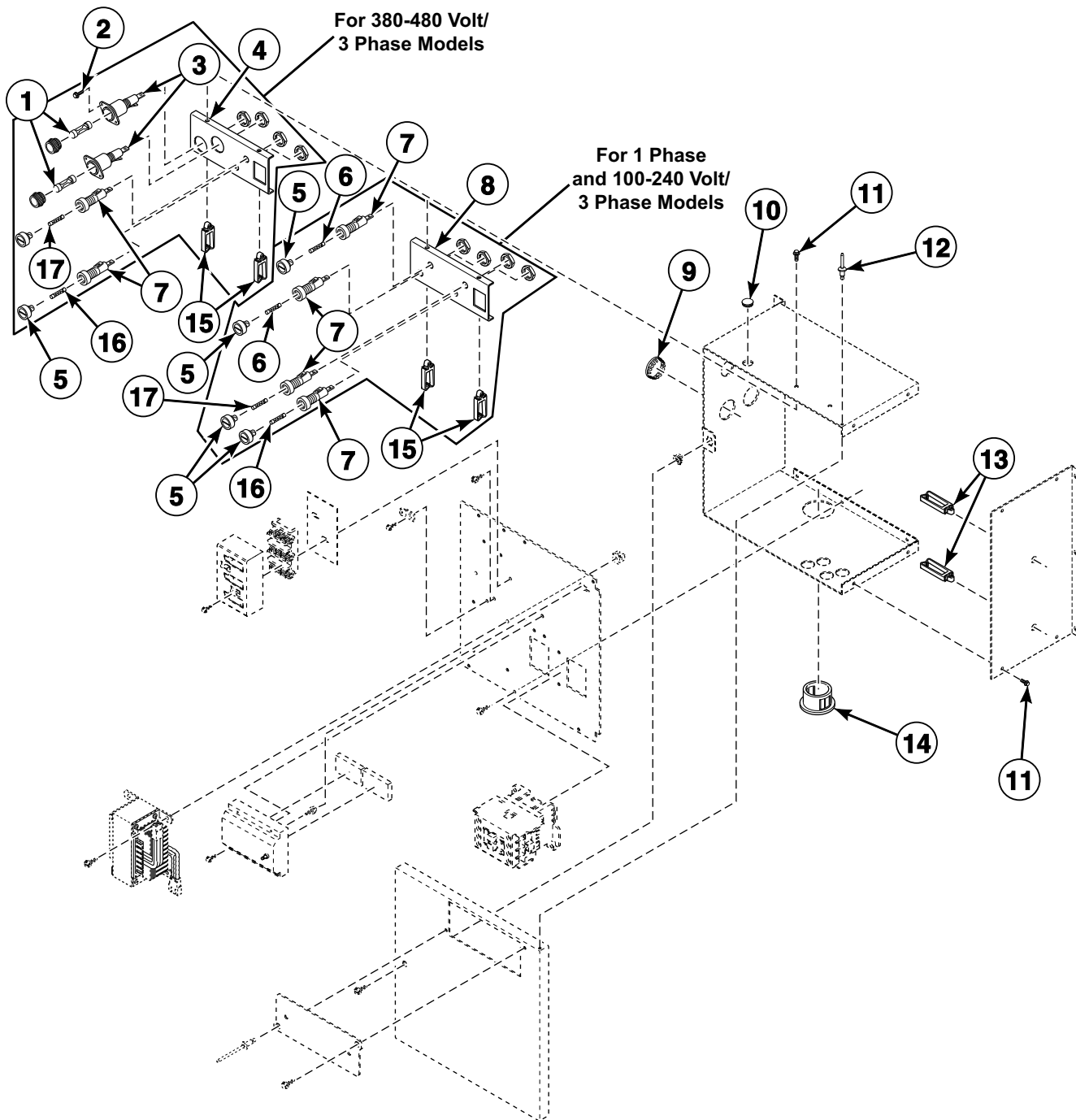


TMB3102P_70304801

Control Tray Harness - Gas Models

REF	PART NO.	DESCRIPTION	COMMENTS
1	70315801	Junction Box Harness	Dual secondary
2	44186701	Ignition Control Harness	Non-CE models
	44136601P	Ignition Control Harness	CE models
3	70347701P	Power Harness	Models through 2/28/10; Contactor; 1 Phase
	70316101P	Power Harness	Non-CE models through 2/28/10; 3 Phase models with less than 380 Volts
	70332201	Power Harness	Models through 2/28/10; 3 Phase models with 380 Volts or more
	70445501	Power Harness	Models starting 3/1/10; Contactor; 1 Phase
	70439001	Power Harness	Non-CE models starting 3/1/10; 3 Phase models with less than 380 Volts
	70438901	Power Harness	Models starting 3/1/10; 3 Phase models with 380 Volts or more
4	70316201	Power Harness	Models through 2/28/10; Upper pocket to lower pocket
	70439501	Power Harness	Models starting 3/1/10; Upper pocket to lower pocket
5	70320201	Motor Contactor Harness	Models through 2/28/10; 3 Phase
	44142601P	Motor Contactor Harness	Models starting 3/1/10; 3 Phase
6	70323601	High Voltage Lead	Models through 9/16/12; Use with 70367301P or 70367401P Ignition Control
	44239701	High Voltage Suppression Cable	Models starting 9/17/12; Use with 70458601 or 70458701 Ignition Control
7	M413505	Jumper Harness Assembly	Non-CE models; 208 Volt/60 Hertz/1 Phase and 240 Volt/60 Hertz/1 Phase
	M413507	Jumper Configuration Assembly	CE models; Non-CE models with 230-240 Volt/50 Hertz/1 Phase, 200-208, 240 Volt/60 Hertz/3 Phase and 230-240 Volt/50 Hertz/3 Phase models with less than 380 Volts
	M413506	Jumper Harness Assembly	Non-CE models; 100, 200, 220 Volt/60 Hertz/1 Phase, 100, 200 Volt/50 Hertz/1 Phase and 200 Volt/50 Hertz/3 Phase models with less than 380 Volts
	M413508	Jumper Harness Assembly	Non-CE models with 380, 400-415 Volt/50 Hertz/3 Phase models with 380 Volts or more; CE 3 Phase models with 380 Volts or more
	M413510	Jumper Configuration Assembly	Non-CE models; 460-480 Volt/60 Hertz/3 Phase models with 380 Volts or more
8	M413863	Network Capacitor Assembly	3O, 3V and 3X control suffixes
9	M413878	Network Capacitor Harness Assembly	Models through 7/8/12; 3O, 3V and 3X control suffixes
	44143401P	Network Capacitor Harness Assembly	Models starting 7/9/12; Also order 00177 Male Tab Terminal; 3O, 3V and 3X control suffixes
10	70342101	Gas Disconnect Harness	CE models through 2/28/10; Upper pocket
	70440501	Gas Disconnect Harness	CE models starting 3/1/10; Upper pocket

Control Tray Components - Non-CE Gas Models (Drawing 1 of 2)

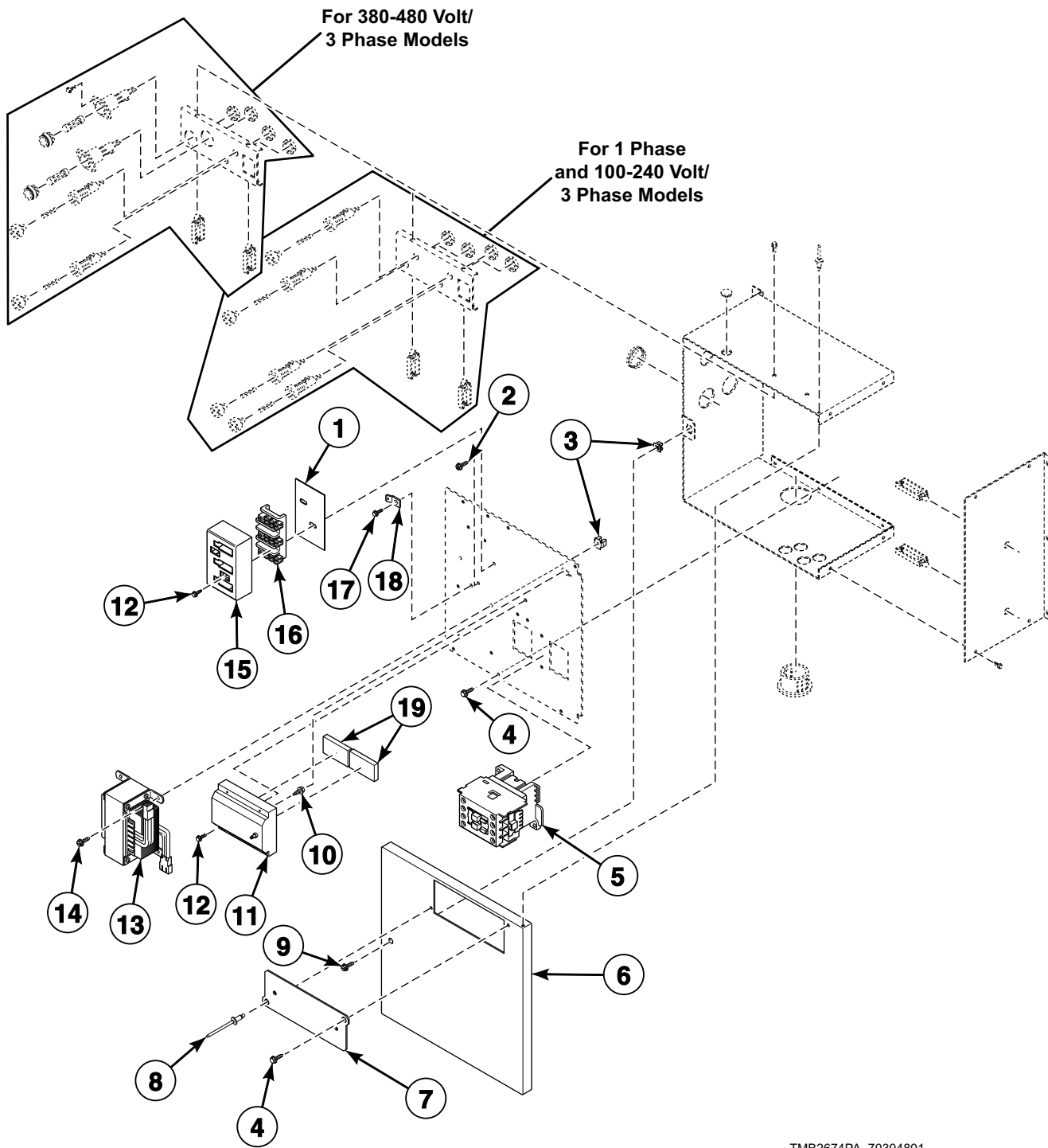


TMB2674P_70304801

Control Tray Components - Non-CE Gas Models (Drawing 1 of 2)

REF	PART NO.	DESCRIPTION	COMMENTS
1	M413621	Fuse	2 required; 3 Phase models with 380 Volts or more
2	501086	Screw	4 required; 3 Phase models with 380 Volts or more
3	M413544P	Fuse Holder	2 required; 3 Phase models with 380 Volts or more; Models through 2/28/10
	44155601P	Fuse Holder	2 required; 3 Phase models with 380 Volts or more; Models starting 3/1/10
4	70313601	Fuse Bracket	3 Phase models with 380 Volts or more; Models through 2/28/10
	70313602	Fuse Bracket	3 Phase models with 380 Volts or more; Models starting 3/1/10
5	70329501	Fuse Holder Cap	3 required 1 Phase models; 4 required 3 Phase models with less than 380 Volts; 2 required 3 Phase models with 380 Volts or more
6	70406701	Fuse	1 required for 1 Phase; 2 required for 3 Phase models with less than 380 Volts; 2 Amp
7	70329401P	Fuse Holder Body	3 required 1 Phase models; 4 required 3 Phase models with less than 380 Volts; 2 required 3 Phase models with 380 Volts or more
8	70306901	Fuse Bracket	1 Phase and 3 Phase models with less than 380 Volts
9	M400985	Plug	2 required
10	M406124	Bushing	
11	51780	Screw	11 required
12	70058502	Pop Rivet	2 required
13	36274	Wire Clip	3 required
14	M402542	Snap Bushing	
15	70347601	Wire Clip	2 required
16	70406601	Fuse	3.5 Amp
17	70406501	Fuse	1.25 Amp

Control Tray Components - Non-CE Gas Models (Drawing 2 of 2)

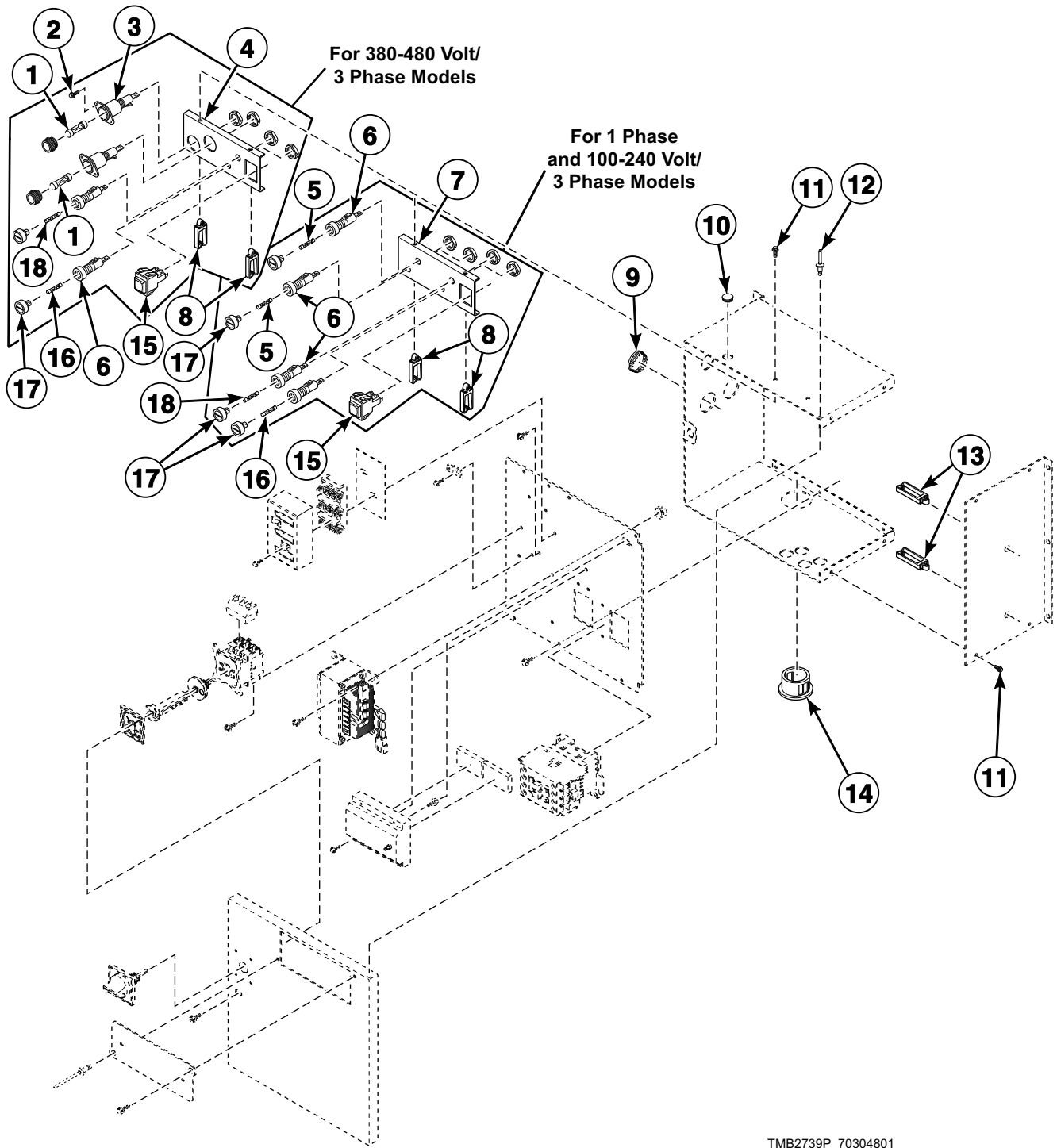


TMB2674PA_70304801

Control Tray Components - Non-CE Gas Models (Drawing 2 of 2)

REF	PART NO.	DESCRIPTION	COMMENTS
1	M413862	Insulator	
2	M402917	Screw	
3	70030501	Expansion Clip	5 required
4	51780	Screw	11 required
5	70323701P	Contacto	24 Volt
6	70313401	Contacto Box Cover	
7	70313301	Fuse Cover	
8	70058501	Pop Rivet	
9	33562	Screw	
10	38272	Screw	
11	70367301P	Ignition Control	Models through 9/16/12; Use with 70323601 High Voltage Lead
	70458601P	Ignition Control	Models starting 9/17/12; Use with 44239701 High Voltage Suppression Cable
12	44083001	Screw	2 required; Models through 9/16/12
	51783	Screw	2 required; Models starting 9/17/12
13	M414228P	Transformer	Multitap; 100, 200, 220 Volt/60 Hertz/1 Phase, 100, 200 Volt/50 Hertz/1 Phase and 230-240 Volt/50 Hertz/1 Phase models with 3O, 3V, 3X, LC, LX, LY, NC, NJ, NR, NX, NY, WC, WX, WY, ZC, ZR, ZX and ZY control suffixes; 3 Phase models with less than 380 Volts
	M414230P	Transformer	208-240 Volt/60 Hertz/1 Phase models with QT and SD control suffixes; 120, 208-240 Volt/60 Hertz/1 Phase models QT and SD control suffixes
	M414312P	Transformer	208-240 Volt/60 Hertz/1 Phase 3O, 3V, 3X, BC, BG, BL, BX, BY, LC, LX, LY, NC, NJ, NR, NX, NY, WC, WX, WY, ZC, ZR, ZX and ZY control suffixes
	M414229P	Transformer	Multitap; 3 Phase models with 380 Volts or more
14	M411072	Screw	4 required
15	70333001	Terminal Block Shield	
16	430642	Terminal Block	
17	430497	Screw	
18	00177	Male Tab Terminal	Ground
19	56128	Bumper Pad	2 required

Control Tray Components - CE Gas Models (Drawing 1 of 2)

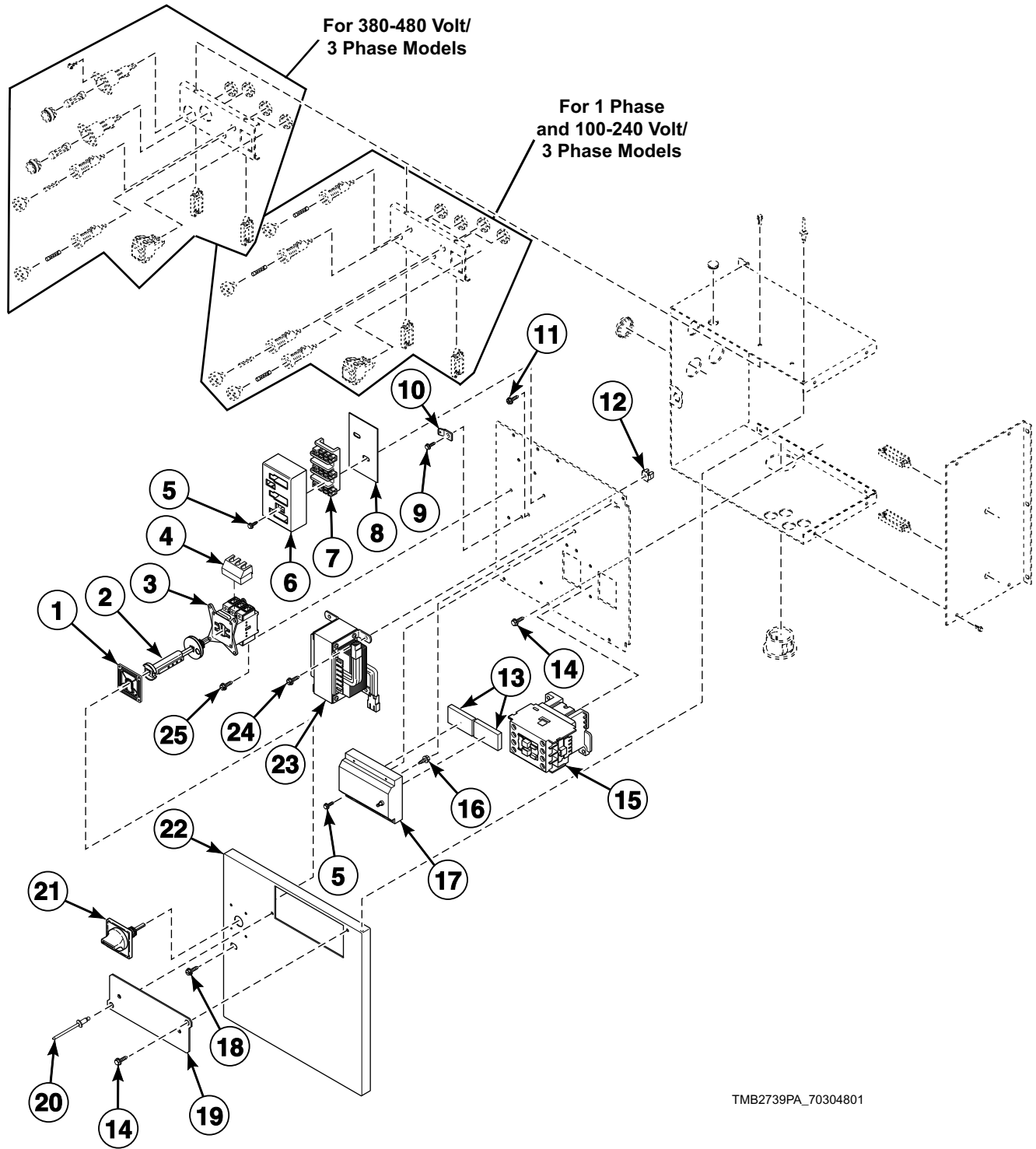


TMB2739P_70304801

Control Tray Components - CE Gas Models (Drawing 1 of 2)

REF	PART NO.	DESCRIPTION	COMMENTS
1	M413621	Fuse	2 required for 3 Phase models with 380 Volts or more
2	501086	Screw	3 Phase models with 380 Volts or more
3	M413544P	Fuse Holder	2 required for 3 Phase models with 380 Volts or more; Models through 2/28/10
	44155601P	Fuse Holder	2 required for 3 Phase models with 380 Volts or more; Models starting 3/1/10
4	70313601	Fuse Bracket	3 Phase models with 380 Volts or more; Models through 2/28/10
	70313602	Fuse Bracket	3 Phase models with 380 Volts or more; Models starting 3/1/10
5	70406701	Fuse	1 required 1 Phase models; 2 required 3 Phase models with less than 380 Volts; 2 Amp
6	70329401P	Fuse Holder Body	3 required 1 Phase models; 4 required 3 Phase models with less than 380 Volts; 2 required 3 Phase models with 380 Volts or more
7	70306901	Fuse Bracket	1 Phase and 3 Phase models with less than 380 Volts
8	70347601	Wire Clip	2 required
9	M400985	Plug	2 required
10	M406124	Bushing	
11	51780	Screw	11 required
12	70058502	Pop Rivet	2 required
13	36274	Wire Clip	3 required
14	M402542	Snap Bushing	
15	M413431	Pushbutton Switch	
16	70406601	Fuse	3.5 Amp
17	70329501	Fuse Holder Cap	3 required 1 Phase models; 4 required 3 Phase models with less than 380 Volts; 2 required 3 Phase models with 380 Volts or more
18	70406501	Fuse	1.25 Amp

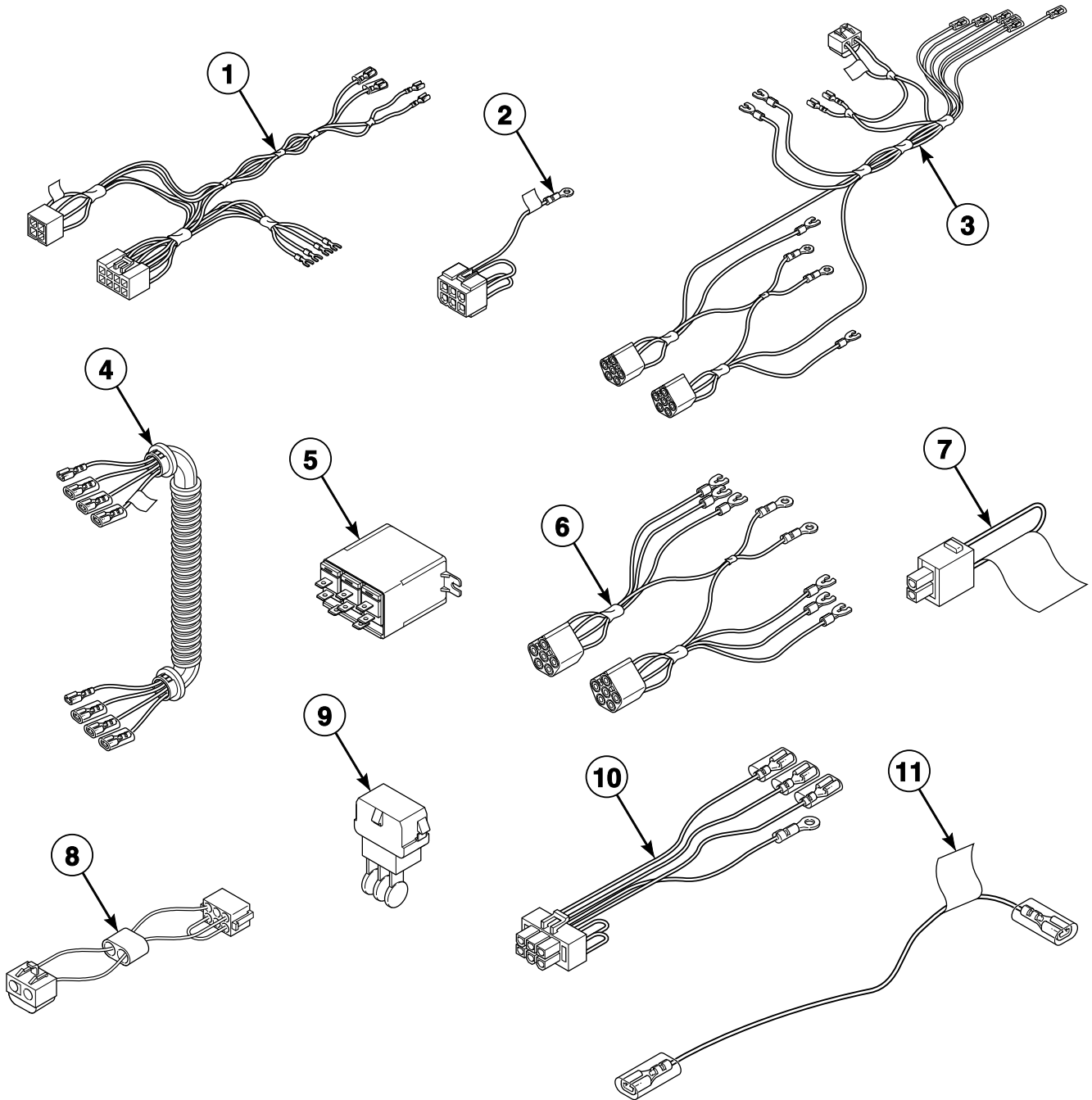
Control Tray Components - CE Gas Models (Drawing 2 of 2)



Control Tray Components - CE Gas Models (Drawing 2 of 2)

REF	PART NO.	DESCRIPTION	COMMENTS
	70411001	ICM Reset Label	Ignition control
1	M412368	Door Interlock	Upper pocket; Models through 7/31/11
2	70342501P	Extension Handle	Upper pocket; Models through 7/31/11
3	M412187P	Mounting Switch Base	Upper pocket; Models through 7/31/11
4	M412366	Finger Guard	Upper pocket; Models through 7/31/11
5	44083001	Screw	2 required; Models through 9/16/12
	51783	Screw	2 required; Models starting 9/17/12
6	70333001	Terminal Block Shield	
7	430642	Terminal Block	
8	M413862	Insulator	
9	430497	Screw	
10	00177	Male Tab Terminal	Ground
11	M402917	Screw	
12	70030501	Expansion Clip	
13	56128	Bumper Pad	2 required
14	51780	Screw	11 required
15	70323701P	Contactactor	
16	38272	Screw	
17	70367401P	Ignition Control	Models through 9/16/12; Use with 70323601 High Voltage Lead
	70458701P	Ignition Control	Models starting 9/17/12; Use with 44239701 High Voltage Suppression Cable
18	33562	Screw	Lower pocket
19	70313301	Fuse Cover	
20	70058501	Pop Rivet	
21	M412208	Handle	Upper pocket; Models through 7/31/11
22	70313402	Contactactor Box Cover	
23	M414228P	Transformer	Multitap; 1 Phase and 3 Phase models with less than 380 Volts
	M414229P	Transformer	Multitap; 3 Phase models with 380 Volts or more
24	M411072	Screw	4 required
25	51782	Screw	2 required; Upper pocket

Control Tray Harnesses - Steam Models

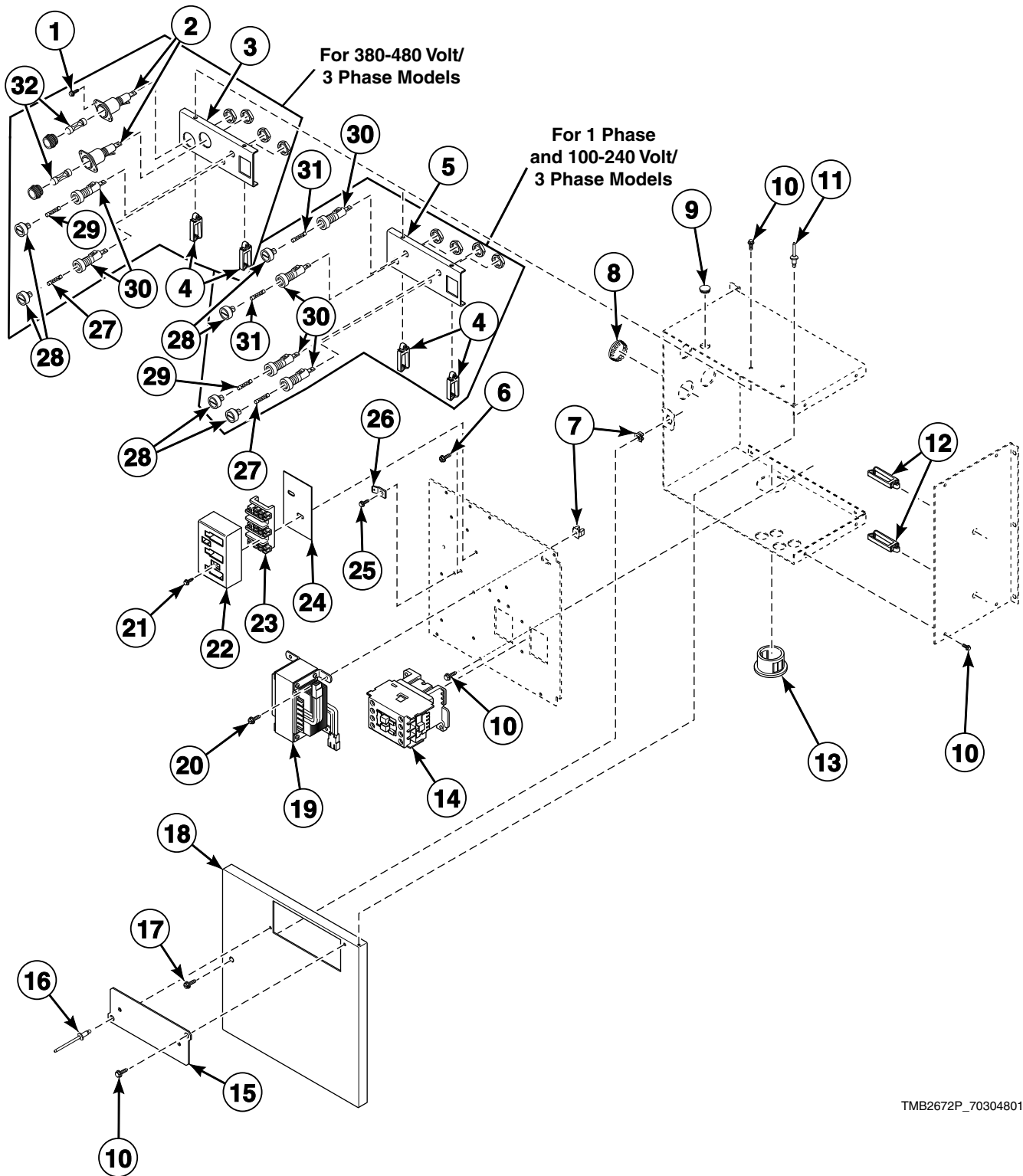


TMB2792P_70304801

Control Tray Harnesses - Steam Models

REF	PART NO.	DESCRIPTION	COMMENTS
1	70315801	Junction Box Harness	Dual secondary
2	70322401P	Steam Configuration Harness	
3	70347701P	Power Harness	Models through 2/28/10; Contactor; 1 Phase
	70316101P	Power Harness	CE models through 2/28/10; 3 Phase models with less than 380 Volts
	70332201	Power Harness	Models through 2/28/10; 3 Phase models with 380 Volts or more
	70445501	Power Harness	Models starting 3/1/10; Contactor; 1 Phase
	70439001	Power Harness	CE models starting 3/1/10; 3 Phase models with less than 380 Volts
	70438901	Power Harness	Models starting 3/1/10; 3 Phase models with 380 Volts or more
4	70316201	Power Harness	Models through 2/28/10; Upper pocket to lower pocket
	70439501	Power Harness	Models starting 3/1/10; Upper pocket to lower pocket
5	70210901P	Relay	Non-CE models; 1 Phase
6	70320201	Motor Contactor Harness	Models through 2/28/10; 3 Phase models with 380 Volts or more
	44142601P	Motor Contactor Harness	Models starting 3/1/10; 3 Phase models with 380 Volts or more
7	70316601	Stove Limit Bypass Harness	
8	M413505	Jumper Harness Assembly	Non-CE models; 208 Volt/60 Hertz/1 Phase and 240 Volt/60 Hertz/1 Phase
	M413507	Jumper Configuration Assembly	CE models with less than 380 Volts; Non-CE models with 230-240 Volt/50 Hertz/1 Phase and 3 Phase models with less than 380 Volts
	M413508	Jumper Harness Assembly	Non-CE models with 100, 200, 220 Volt/60 Hertz/1 Phase, 100, 200 Volt/50 Hertz/1 Phase and 3 Phase models with less than 380 Volts; CE models with 380 Volts or more
	M413510	Jumper Configuration Assembly	Non-CE models; 460-480 Volt/60 Hertz/3 Phase
9	M413863	Network Capacitor Assembly	3O, 3V and 3X control suffixes
10	M413878	Network Capacitor Harness Assembly	Models through 7/8/12; 3O, 3V and 3X control suffixes
	44143401P	Network Capacitor Harness Assembly	Models starting 7/9/12; Also order 00177 Male Tab Terminal; 3O, 3V and 3X control suffixes
11	70389901	Steam Stove Limit Bypass Harness	

Control Tray Components - Non-CE Steam Models

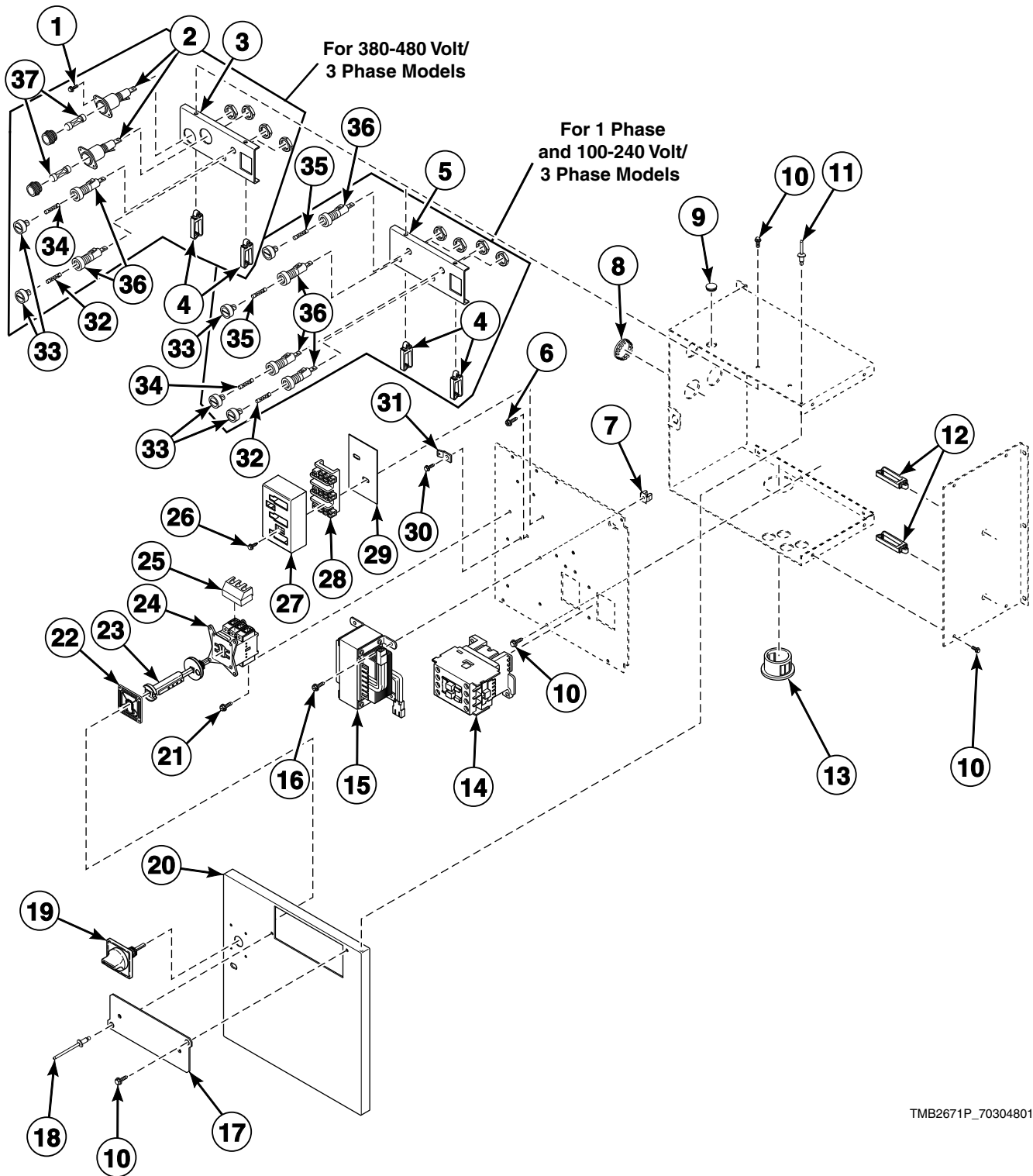


TMB2672P_70304801

Control Tray Components - Non-CE Steam Models

REF	PART NO.	DESCRIPTION	COMMENTS
1	501086	Screw	4 required for models with 380 Volts or more
2	M413544P	Fuse Holder	2 required for 3 Phase models with 380 Volts or more; Models through 2/28/10
	44155601P	Fuse Holder	2 required for 3 Phase models with 380 Volts or more; Models starting 3/1/10
3	70313601	Fuse Bracket	3 Phase models with 380 Volts or more; Models through 2/28/10
	70313602	Fuse Bracket	3 Phase models with 380 Volts or more; Models starting 3/1/10
4	70347601	Wire Clip	2 required
5	70306901	Fuse Bracket	
6	M402917	Screw	
7	70030501	Expansion Clip	5 required
8	M400985	Plug	2 required
9	44024202	Hole Plug	
10	51780	Screw	11 required
11	70058502	Pop Rivet	2 required
12	36274	Wire Clip	3 required
13	M402542	Snap Bushing	
14	70323701P	Contactor	
15	70313301	Fuse Cover	
16	70058501	Pop Rivet	
17	33562	Screw	
18	70313401	Contactor Box Cover	
19	M414312P	Transformer	Dual secondary; 120, 208-240 Volt/60 Hertz/1 Phase models with 3O, 3V, 3X, BC, BG, BL, BX, BY, LC, LX, LY, NC, NJ, NR, NX, NY, WC, WX, WY, ZC, ZR, ZX and ZY control suffixes
	M414230P	Transformer	Primary/secondary; 120, 208-240 Volt/60 Hertz/1 Phase models with QT and SD control suffixes
	M414228P	Transformer	Multitap; All other 1 Phase models; 3 Phase models with less than 380 Volts
	M414229P	Transformer	Multitap; 3 Phase models with 380 Volts or more
	44074401	Transformer	Dual secondary; 440 Volt/60 Hertz/3 Phase
20	M411072	Screw	4 required
21	51783	Screw	2 required
22	70333001	Terminal Block Shield	
23	430642	Terminal Block	
24	M413862	Insulator	
25	430497	Screw	
26	00177	Male Tab Terminal	Ground
27	70406601	Fuse	3.5 Amp
28	70329501	Fuse Holder Cap	3 required 1 Phase models; 4 required 3 Phase models with less than 380 Volts; 2 required 3 Phase models with 380 Volts or more
29	70406501	Fuse	1.25 Amp
30	70329401P	Fuse Holder Body	3 required 1 Phase models; 4 required 3 Phase models with less than 380 Volts; 2 required 3 Phase models with 380 Volts or more
31	70406701	Fuse	2 Amp
32	M413621	Fuse	2 required for models with 380 Volts or more

Control Tray Components - CE Steam Models

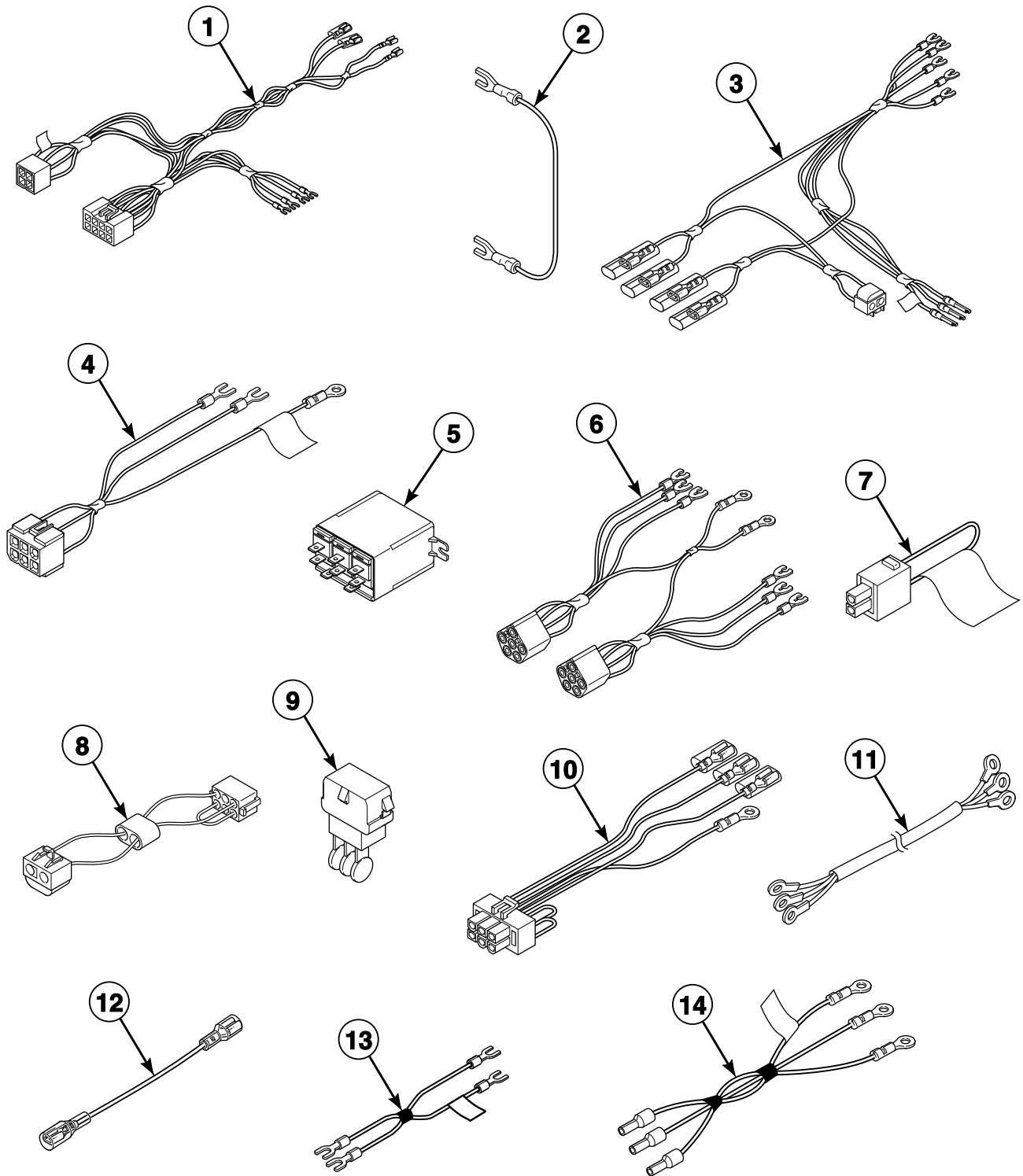


TMB2671P_70304801

Control Tray Components - CE Steam Models

REF	PART NO.	DESCRIPTION	COMMENTS
1	501086	Screw	4 required; Models with 380 Volts or more
2	M413544P	Fuse Holder	2 required for 3 Phase models with 380 Volts or more; Models through 2/28/10
	44155601P	Fuse Holder	2 required for 3 Phase models with 380 Volts or more; Models starting 3/1/10
3	70313601	Fuse Bracket	3 Phase models with 380 Volts or more; Models through 2/28/10
	70313602	Fuse Bracket	3 Phase models with 380 Volts or more; Models starting 3/1/10
4	70347601	Wire Clip	2 required
5	70306901	Fuse Bracket	Models with less than 380 Volts
6	M402917	Screw	
7	70030501	Expansion Clip	
8	M400985	Plug	2 required
9	44024202	Hole Plug	
10	51780	Screw	11 required
11	70058502	Pop Rivet	2 required
12	36274	Wire Clip	4 required
13	M402542	Snap Bushing	
14	70323701P	Contactora	24 Volt
15	M414228P	Transformer	Multitap; Models with less than 380 Volts
	M414229P	Transformer	Multitap; Models with 380 Volts or more
	44074401	Transformer	Dual secondary; 440 Volt/60 Hertz/3 Phase
16	M411072	Screw	4 required
17	70313301	Fuse Cover	3 required
18	70058501	Pop Rivet	
19	M412208	Handle	Upper pocket; Models through 7/31/11
20	70313402	Contactora Box Cover	
21	51782	Screw	2 required; Upper pocket
22	M412368	Door Interlock	Upper pocket; Models through 7/31/11
23	70342501P	Extension Handle	Upper pocket; Models through 7/31/11
24	M412187P	Mounting Switch Base	Upper pocket; Models through 7/31/11
25	M412366	Finger Guard	Upper pocket; Models through 7/31/11
26	51783	Screw	2 required
27	70333001	Terminal Block Shield	
28	430642	Terminal Block	
29	M413862	Insulator	
30	430497	Screw	3 required
31	00177	Male Tab Terminal	Ground
32	70406601	Fuse	3.5 Amp
33	70329501	Fuse Holder Cap	3 required 1 Phase models; 4 required 3 Phase models with less than 380 Volts; 2 required 3 Phase models with more than 380 Volts
34	70406501	Fuse	1.25 Amp
35	70406701	Fuse	Models with less than 380 Volts; 2 Amp
36	70329401P	Fuse Holder Body	3 required 1 Phase models; 4 required 3 Phase models with less than 380 Volts; 2 required 3 Phase models with more than 380 Volts
37	M413621	Fuse	2 required; Models with 380 Volts or more

Accessory Box Harnesses - Electric Models

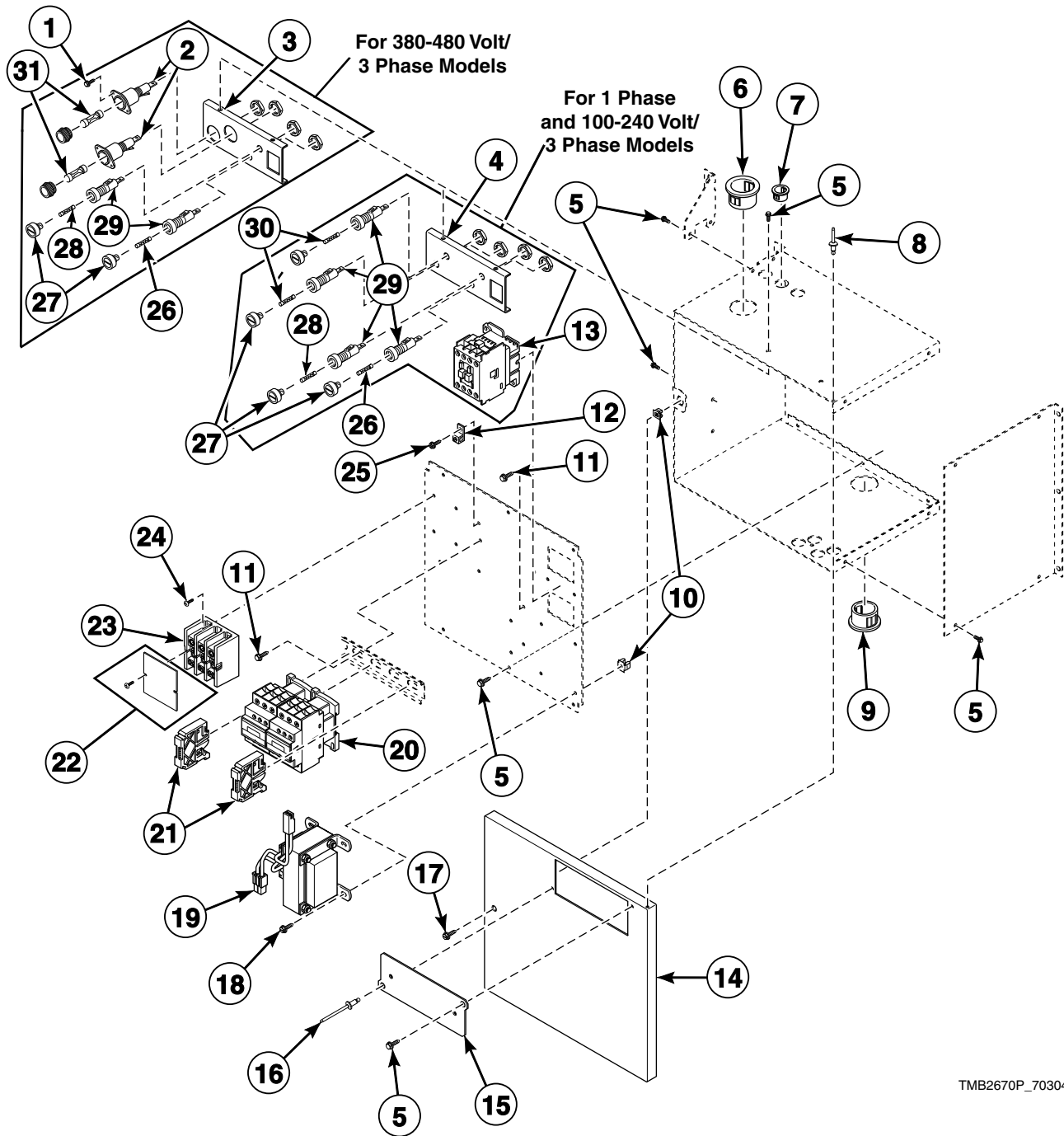


TMB2793P_70304801

Accessory Box Harnesses - Electric Models

REF	PART NO.	DESCRIPTION	COMMENTS
1	70315801	Junction Box Harness	Dual secondary
2	M413933	Jumper Cable Assembly	Non-CE and CE models; Non-CE models require 3; 7.5 inches
	M414121	Jumper Cable Assembly	CE models; 3 required
3	70357401	Power Harness	Models through 2/28/10; Models with less than 380 Volts
	70357501	Power Harness	Models through 2/28/10; Models with 380 Volts or more
	70439401	Power Harness	Models starting 3/1/10; Models with less than 380 Volts
	70439301	Power Harness	Models starting 3/1/10; Models with 380 Volts or more
4	70357601P	Electric Configuration Harness	
5	70210901P	Relay	Non-CE models; 1 Phase
6	70320201	Motor Contactor Harness	Models through 2/28/10; 3 Phase
	44142601P	Motor Contactor Harness	Models starting 3/1/10; 3 Phase
7	70316601	Stove Limit Bypass Harness	
8	M413505	Jumper Harness Assembly	Non-CE models; 208 Volt/60 Hertz/1 Phase and 240 Volt/60 Hertz/1 Phase
	M413506	Jumper Harness Assembly	Non-CE models; 200-208 Volt/60 Hertz/3 Phase and 200 Volt/50 Hertz/3 Phase
	M413507	Jumper Configuration Assembly	Non-CE models; 240 Volt/60 Hertz/3 Phase and 240 Volt/50 Hertz/3 Phase
	M413508	Jumper Harness Assembly	380 Volt/50 Hertz/3 Phase
	M413509	Jumper Harness Assembly	400-415 Volt/50 Hertz/3 Phase
	M413510	Jumper Configuration Assembly	Non-CE models; 460-480 Volt/60 Hertz/3 Phase
9	M413863	Network Capacitor Assembly	3O, 3V and 3X control suffixes
10	70286501	Network Capacitor Harness Assembly	Models through 7/8/12; 3O, 3V and 3X control suffixes
	44152001	Network Capacitor Harness Assembly	Models starting 7/9/12; 3O, 3V and 3X control suffixes
11	70167901	Heater Cable Set Assembly	H1-H3
	70168001	Heater Cable Set Assembly	H4-H6; Non-CE models; Models with less than 380 Volts
12	70139001	Jumper Assembly	Non-CE models; Models with less than 380 Volts; 3 required; 10 inches
	70260201	Jumper Wire	CE models
13	70355801P	Electric Contactor Jumper Set Harness	Non-CE models; Models with less than 380 Volts
14	70371301P	Cable Set Heater Assembly	
	70371401P	Cable Set Heater Assembly	Models with 240 Volts or less

Accessory Box Components - Non-CE Electric Models

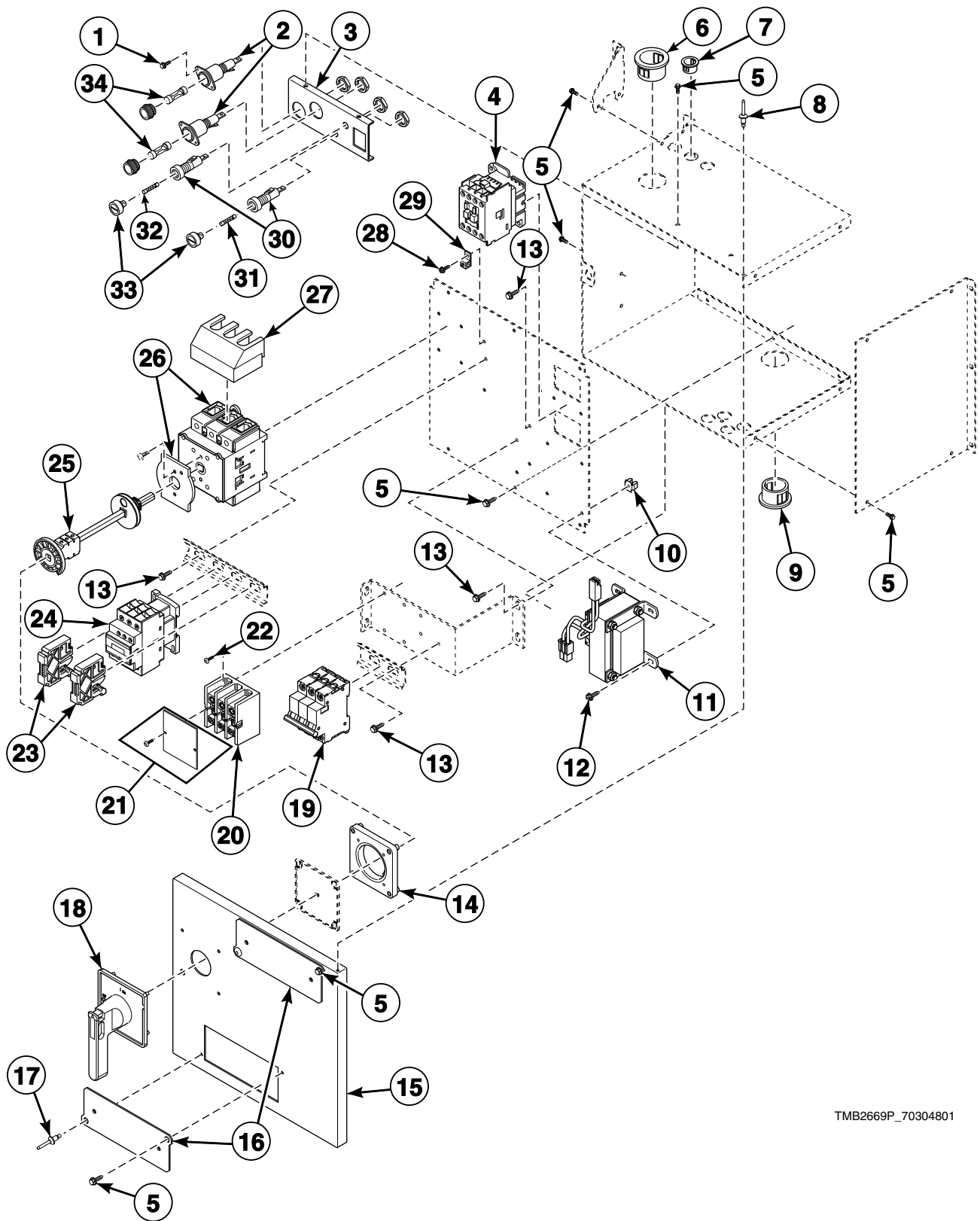


TMB2670P_70304801

Accessory Box Components - Non-CE Electric Models

REF	PART NO.	DESCRIPTION	COMMENTS
1	501086	Screw	4 required; Models with 380 Volts or more
2	M413544P	Fuse Holder	2 required for 3 Phase models with 380 Volts or more; Models through 2/28/10
	44155601P	Fuse Holder	2 required for 3 Phase models with 380 Volts or more; Models starting 3/1/10
3	70313601	Fuse Bracket	3 Phase models with 380 Volts or more; Models through 2/28/10
	70313602	Fuse Bracket	3 Phase models with 380 Volts or more; Models starting 3/1/10
4	70306901	Fuse Bracket	Models with less than 380 Volts
5	51780	Screw	9 required
6	M405340	Snap Bushing	
7	M400770	Snap Bushing	
8	70058502	Pop Rivet	2 required
9	70346501	Bushing	
10	70030501	Expansion Clip	5 required
11	430497	Screw	
12	M411283	Ground Lug Connector	
13	70323701P	Contactor	24 Volt
14	70348201	Contactor Box Cover	
15	70313301	Fuse Cover	
16	70058501	Pop Rivet	
17	33562	Screw	
18	M411072	Screw	4 required
19	M414229P	Transformer	Multitap; Models with 380 Volts or more
	M414228P	Transformer	Multitap; Models with less than 380 Volts
	44074401	Transformer	Dual secondary; 440 Volt/60 Hertz/3 Phase
20	70343301P	Contactor	2 required
21	70121001	End Stop	3 required
22	44014901P	Power Distribution Block Cover	Includes screws
23	M413865	Terminal Block	
24	39733	Screw	4 required
25	M402917	Screw	
26	70406601	Fuse	Models with less than 380 Volts; 3.5 Amp
27	70329501	Fuse Holder Cap	4 required
28	70406501	Fuse	1.25 Amp
29	70329401P	Fuse Holder Body	4 required
30	70406701	Fuse	2 required; 2 Amp
31	M413621	Fuse	2 required; Models with 380 Volts or more

Accessory Box Components - CE Electric Models



TMB2669P_70304801

Accessory Box Components - CE Electric Models

REF	PART NO.	DESCRIPTION	COMMENTS
	33562	Screw	2 required
	M412096	Earth Terminal Sticker	Next to item 29
1	501086	Screw	4 required
2	M413544P	Fuse Holder	2 required for 3 Phase models with 380 Volts or more; Models through 2/28/10
	44155601P	Fuse Holder	2 required for 3 Phase models with 380 Volts or more; Models starting 3/1/10
3	70313601	Fuse Bracket	3 Phase models with 380 Volts or more; Models through 2/28/10
	70313602	Fuse Bracket	3 Phase models with 380 Volts or more; Models starting 3/1/10
4	70323701P	Contactator	24 Volt
5	51780	Screw	12 required
6	M405340	Snap Bushing	
7	M400770	Snap Bushing	3 required
8	70058502	Pop Rivet	2 required
9	M402542	Snap Bushing	
10	70030501	Expansion Clip	4 required
11	M414229P	Transformer	Multitap
	44074401	Transformer	Dual secondary; 440 Volt
12	M411072	Screw	4 required
13	430497	Screw	
14	M412369	Door Interlock	Models through 7/31/11
15	70348202	Contactator Box Cover	
16	70313301	Fuse Cover	2 required
17	70058501	Pop Rivet	2 required
18	70268001	Handle	Models through 7/31/11
19	M412407P	Circuit Breaker	
20	M413865	Terminal Block	
21	44014901P	Power Distribution Block Cover	
22	39733	Screw	4 required
23	70121001	End Stop	2 required
24	70343301P	Contactator	
25	M412371P	Extension Handle	Models through 7/31/11
26	M412186	Mounting Switch Base	Models through 7/31/11
27	M412367	Finger Guard	Models through 7/31/11
28	M402917	Screw	
29	M411283	Ground Lug Connector	
30	70329401P	Fuse Holder Body	2 required
31	70406601	Fuse	3.5 Amp
32	70406501	Fuse	1.25 Amp
33	70329501	Fuse Holder Cap	2 required
34	M413621	Fuse	2 required

Parts Index

A

Access Panel Trim	
70399401	59
70399406	59
Adapter	
70131901	93, 95
Air Filter	
70036001	99
Airflow Switch and Arm Bracket	
70319601	89
Airflow Switch Arm	
70319401	89
Airflow Switch Cover	
70356601	89
70465701	89
Airflow Switch Vane	
70319201	89
Airflow Switch Wrapper	
70356101	89
Audit Switch Bracket	
70183901	21, 23, 31
70292601	29, 33

B

Base Harness	
70345801	63
70449001	63
Belt	
70276201P	77
70276204P	77
Belt Tension Tool Kit	
M4853P3	77
Blower Assembly	
70302201P	83
70359801P	83
Blower Housing Cover Assembly	
70322801	83
70341401	83
Blower Housing Scroll	
70303201	83
70340801	83
Blower Inlet Cone	
70014101	83
70303101	83
Blower Motor	
70297901P	83
70342601P	83
70401401	83
Blower Motor Kit	
70337601P	83
70337701P	83
Blower Motor Mounting Plate	
70303401	83
70341001	83
Bolt	
70062401	77
70392801	71

Bumper Pad	
56128	105, 109
Burner Grill	
70188801	87
70306501	87
Burner Orifice	
M401000	91
M401002	91
M401007	91
M401011	91
M401014	91
M402980	91
M402988	91
M402996	91
M403017	91
M406184	91
M406361	91
M411373	91
M411375	91
M411376	91
M411510	91
M411511	91
M411512	91
Bushing	
M406124	103, 107
70346501	119
Buzzer Kit	
M4860P3	17
Bypass Harness	
70364103	17, 19, 23, 31, 35, 41, 49, 51

C

Cable Set Heater Assembly	
70371301P	117
70371401P	117
Cam and Hinge Kit	
M4772P3	57
M4773P3	57
Card Reader and Bracket Assembly	
510068P	35
Card Reader Harness Assembly	
70211801	35
Card Reader Network Harness Assembly	
70206601	35
Card Reader Overlay	
70334201	23
70334301	23
Center Cylinder Seal	
70066005	75
Center Cylinder Seal Assembly	
70066003	75
Center Partition	
70301601	75
70339201	75
Center Trim	
70299601	61
Center Trim Overlay	
70299701	61
Channel Base Assembly	
70288201	75

N/A items do not appear in index.

Chassis Mounting Bracket		Control Assembly	
70119001	23, 31	511867P	21, 23
Chassis Mounting Bracket Assembly		512202P	17
70419201	41	513139P	15
Circuit Breaker		70434101P	51
M412407P	121	70437102P	51
Clip		70437103P	51
70226701	75, 81	70437104P	51
Coin Drop		70437105P	51
38963P	25	70450501P	39, 41
39748	25	70450502	47, 49
70256402P	25	70454101P	51
70429001	25	70462303P	19
70441601P	25	70462304P	19
Coin Drop Assembly		70462367P	19
210195	25	70462368P	19
210196	25	Control Chassis Mounting Bracket	
38462P	25	70357901	17
38463	25	70357902	15
38464P	25	Control Door and Studs Assembly	
38467	25	70441001	51
38472	25	70441101	51
38475	25	Control Door Assembly	
38519	25	70175911	35
38521	25	70361201	17
39157	25	70365101	15
70441602	25	70365801	15
70447301	25	Control Door Latch	
70471601	25	431318	15, 17, 23, 33, 35, 39, 41, 47, 49
70482401	25	Control Housing	
Coin Drop Kit		70119901	61
CK077	25	Control Housing Cover	
Coin Identification Paper		70307002	37, 43
38725	25	70307003	31
Coin Vault Assembly		Control Kit	
70180101	63	505905P	31, 33, 35
Coin Vault Switch Harness		Control Mounting Bracket Assembly	
70364104P	15, 19, 21, 33, 39, 47	70420201	31
Coin Vault Trim		Control Overlay	
70117501	63	70410101	39
70117502	63	70410102	39
Communication Board		70417601	41
210097	45	70443401	39
Communication Board Bracket		70443501	39
70323101	45	70449401	39
Communication Connector		70472101	47, 49
210099	45	70472102	47, 49
Communication Harness Assembly		70472901	49
70211101	37	Control Panel Harness	
Contact Block		44240301	51
44018701	65	70315501P	21, 23, 31, 35
44018901	65	70315601P	19
Contact Block Switch		70367001P	17
F200233401	65	70367101	15
Contact Switch		70368001P	23, 31, 33, 35
F8069501	65	70369001	15
Contactors		70410401P	39, 41, 47, 49
70323701P	105, 109, 113, 115, 119, 121	Control Panel Harness Assembly	
70343301P	119, 121	70315701	19
Contactors Box Cover		Control Plate Assembly	
70313401	105, 113	70348901	23, 31, 41
70313402	109, 115	70349001	23, 49
70348201	119	70365601	17
70348202	121	70419501	33
		Control Plate Kit	
		70279301P	19
		70291101P	21, 29, 33, 39

N/A items do not appear in index.

70291201P.....	21, 29, 47
Control Trim	
70116901	61
70116902	61
70117001	61
70120501	61
Cylinder and Trunnion Assembly	
70443901	71
70443902	71
70443903	71
70444001	71
70444002	71
70444003	71
Cylinder Assembly	
70372501P.....	71
70372502P.....	71
70372503P.....	71
70372901P.....	71
70372902P.....	71
70372903	71
Cylinder Bearing Stud Plate Assembly	
430352	73, 75
Cylinder Guide Tool	
263P4.....	71
Cylinder Idler Arm	
70259901	77
Cylinder Motor Harness	
70316701P.....	77
70316801P.....	77
70439901	77
70440301	77
Cylinder Rib Assembly	
70433001	71
70433002	71
Cylinder Shroud	
70301901	75
70301902	75
70339301	75
70339302	75

D

DIN Valve Kit	
F8521701	99
Display Assembly	
512218P.....	17
Door Assembly	
44028902P.....	53
44028903	53
44046701	53
44058001P.....	53
44058002	53
44058102P.....	53
44112101	53
70064100	53
70212200	53
70212300	53
70212301	53
70407401	53
70408901	53
Door Glass	
M400784P.....	55
44008401P.....	55
44008402P.....	55
70133601P.....	55

Door Glass Seal Kit	
70211901P	55
Door Handle	
M400133	55
430117.....	55
44007901	55
44007902P.....	55
44057701	55
44057702	55
44111901	55
Door Hinge	
70115901*	57
70115902.....	57
70115903B	57
Door Hinge Assembly	
44075205*	57
44075206	57
44075209B.....	57
Door Hinge Kit	
M4788P3	57
Door Hinge Lug Assembly	
44035001	57
44035002	57
Door Interlock	
M412368	109, 115
M412369	121
Door Latch	
M401223	61, 63
Door Ring	
44007703B	55
44007704B	55
70081801	55
70399701B	55
Door Ring and Handle Assembly	
44043501	55
44112001.....	55
Door Ring Assembly	
44007702	55
70455001B	55
Door Ring Gasket	
44008201P	55
70296801	55
Door Seal Kit	
70211902P	55
Door Switch Actuator Kit	
70215001P	57
Double Ended Stud	
70334701	77
Drive Access Cover	
70202501	77
Drive Motor	
70298401P	79
70338101P	79
70392901P	79
70401501	79
70401601	79
70401701	79
70401801	79
Drive Motor Kit	
70337901P	79
70338001P	79
Drum Idler Spring	
70045301	77
Drywall Screw Magnet Kit	
70343101P	71

N/A items do not appear in index.

Duct Access Cover	
70308701	81
70340301	81
Duct Cover	
70207501	81
70307601	81

E

Earth Terminal Sticker	
M412096	121
Elbow	
70079601	93, 95
70208701	93
Electric Configuration Harness	
70357601P	117
Electric Contactor Jumper Set Harness	
70355801P	117
Electronic Coin Drop Assembly	
70294103P	25
70294104	25
70294105P	25
70294106	25
70294107	25
70294111	25
70294116	25
70294117	25
70294119	25
70294120	25
70294121	25
Electronic Coin Drop Harness	
44065801	25
Electronic Coin Drop Kit	
CK099	27
CK100	27
CK101	27
CK103	27
CK108	27
CK109	27
CK113	27
CK115	27
CK116	27
CK117	27
CK118	27
CK119	27
CK120	27
CK121	27
CK122	27
Emergency Stop Button Kit	
F200233700P	65
Emergency Stop Harness	
70364101P	65
70364102	65
Emergency Stop Label	
44012901	65
Emergency Stop Pushbutton	
F200233500	65
End Cap	
70070101	71
70070102	71
End Stop	
70121001	119, 121
Ethernet Gateway Kit	
NK320	39, 41

Exhaust Duct Assembly	
70311901	81
70311902	81
70340501	81
70340502	81
Exhaust Duct Gaskets Assembly	
70302801P	81
70340401	81
Exhaust Pipe	
44154301	81
Exhaust Pipe Assembly	
70425801	81
Expansion Clip	
70030501	75, 105, 109, 113, 115, 119, 121
Extension Handle	
M412371P	121
70342501P	109, 115

F

False Front Kit	
70371701*P	59
70371702P	59
Fan Motor Harness	
70317001	83
70440001P	83
70440401	83
Filter	
44172001	99
Finger Guard	
M412366	109, 115
M412367	121
Forward Valve Cover	
70328201	91
Front Cylinder Seal	
70173402	59
Front Panel Baffle Seal	
70017301	61, 63
Front Panel Seal	
70173401P	59
Fuse	
M413621	103, 107, 113, 115, 119, 121
70406501	103, 107, 113, 115, 119, 121
70406601	103, 107, 113, 115, 119, 121
70406701	103, 107, 113, 115, 119
Fuse Bracket	
70306901	103, 107, 113, 115, 119
70313601	103, 107, 113, 115, 119, 121
70313602	103, 107, 113, 115, 119, 121
Fuse Cover	
70313301	105, 109, 113, 115, 119, 121
Fuse Holder	
M413544P	103, 107, 113, 115, 119, 121
44155601P	103, 107, 113, 115, 119, 121
Fuse Holder Body	
70329401P	103, 107, 113, 115, 119, 121
Fuse Holder Cap	
70329501	103, 107, 113, 115, 119, 121

N/A items do not appear in index.

G

Gas Burner	
70229801P	87
Gas Disconnect Harness	
70342101	101
70440501	101
Gas Valve	
44154501P	91
44154502P	91
Gas Valve Bracket	
70233301	93, 95
Gas Valve Coil	
70260101	93, 95
Gas Valve Cover	
70233401	87, 93, 95
70425001	87
Gas Valve Harness Assembly	
M413650	91, 93, 95
Gasket	
70392701P	83
Graphic Overlay	
70279101	19
70279201	19
70279202	19
70462601	19
70462602	19
70468201	19
Ground Lug Connector	
M411283	119, 121

H

Handle	
M412208	109, 115
70268001	121
Handle Bar	
70399501B	55
70399502B	55
Harness Assembly	
M412997	91, 93, 95, 99
Heater Cable Set Assembly	
70167901	97, 117
70168001	97, 117
Heater Element	
70034401P	97
70034402P	97
70034403P	97
High Voltage Lead	
70323601	101
High Voltage Suppression Cable	
44239701	101
Hole Plug	
44024202	113, 115

I

ICM Reset Label	
70411001	109
Idler Bracket	
70443301	77

Idler Wheel Assembly	
70050401P	77
Igniter Cover	
70159601	87
Ignition Control	
70367301P	105
70367401P	109
70458601P	105
70458701P	109
Ignition Control Harness	
44136601P	101
44186701	101
Instruction Label	
70418101	59
Insulator	
M413862	105, 109, 113, 115

J

Jumper Assembly	
70139001	117
Jumper Cable Assembly	
M413933	117
M414121	117
Jumper Calibration Assembly	
70211703P	33, 35
Jumper Calibration Wire	
70324603	15, 17, 21, 23, 31, 39, 41, 47, 49, 51
Jumper Configuration Assembly	
M413507	101, 111, 117
M413510	101, 111, 117
Jumper Harness Assembly	
M413505	101, 111, 117
M413506	101, 117
M413508	101, 111, 117
M413509	117
Jumper Strip	
M400869	97
Jumper Wire	
70260201	117
Junction Box Harness	
70315801	101, 111, 117

K

Key	
70144101	83
70155601	61
70155602	67
Kickplate	
70117605	63
70117606	63

L

Label	
70286601	61
70286602	61
70289802	61
70414001	61

N/A items do not appear in index.

Latch Mounting Bracket	
70119801	15, 17
70184501	23, 31, 33, 35, 39, 41, 47, 49
Light	
801431	15
Limit Thermostat	
M409219	87
M410220	97
M411307	83
70299001	87
Lint Drawer Front Assembly	
70323001	67
70323002	67
Lint Drawer Front Kit	
70322901P	67
70322902P	67
Lint Drawer Gasket	
70117901P	61, 63
70300201P	61, 63
Lint Drawer Handle	
70320801	67
70320802	67
Lint Drawer Handle Plate	
70323201	67
Lint Frame Gasket	
70333101	67
70333103	67
Lint Panel Gasket	
70289101P	81
Lint Screen Assembly	
70290601	67
70301201	67
Lint Screen Bracket	
70026901	67
Lock Shim	
70342401	67
70342402	67
Lock, Key and Nut Kit	
44089301P	61
44089302P	67
Lower Card Reader Harness	
70420101P	31
Lower Front Panel Assembly	
70391201*P	59
70391202P	59
70391203*P	59
70391204	59
70391205*	59
70391206P	59
70391401*P	59
70391402P	59
70391403*P	59
70391404P	59
70454502	59
Lower Stove Cover	
70333501	97
L.P. Conversion Kit	
M4707P3	91
M4880P3	91
L.P. Valve	
70457302P	93, 95
L.P. Valve Conversion Kit	
M4734P3	93, 95

M

Main Harness	
70346001P	15, 17, 21, 23, 31, 39, 41
70346002P	33, 35, 39, 41
70419901P	31
70441401	15, 17, 19, 21, 23, 39, 41, 47, 49, 51
Male Tab Terminal	
00177	15, 17, 105, 109, 113, 115
Manual Reset Thermostat	
70186301	87
70397101	87
Moisture Sensor Harness Assembly	
70448901	85
Moisture Sensor Test Wires	
70468901	85
Motor Capacitor	
M410296	79
70211401	79
70211502	79
70413101	79
70413201	79
70435701	79
70435702	79
Motor Channel	
70261701	77
Motor Conduit Mounting Bracket	
70321701	77, 83
Motor Contactor Harness	
44142601P	101, 111, 117
70320201	101, 111, 117
Motor Mount Bracket	
70127301	77
70312001	77
Motor Pulley	
70284201	77
70284203	77
70284204	77
70284208	77
Mounting Plate	
70208801	23, 31, 41, 49
Mounting Switch Base	
M412186	121
M412187P	109, 115

N

Nameplate	
B12389801	61
44062901	61
44129906	61
44129908	61
70289201	61
70289801	61
Nameplate Overlay	
44144401	55
70411401	55
Network Board Assembly	
201341	43
210016P	37
Network Capacitor Assembly	
M413863	101, 111, 117

N/A items do not appear in index.

Network Capacitor Harness Assembly		70136401	69
M413878	101, 111	70136501	69
44143401P	101, 111	70136601	69
44152001	117	70137101	69
70286501	117	70184101	33
Network Controller Kit		70184102	33
NK220	39, 41	70184201	35
Network Retrofit Kit		70235101	35
NK207	39, 41	70243801	61
Network Wire Harness Assembly		70257801	21
44088501P	43	70257802	21
800217	37	70258101	21
Nut		70258102	21
M400022	73, 83	70258201	69
M400034	73, 83	70261101	21
M400035	85	70261102	21
M412986	71, 73, 77	70261301	21
M414215	55	70275401	23
Q6163	97	70285001	69
21899	75	70286701	23
23951	57	70286801	23
24205	15, 17	70299901	69
27222	77	70300001	69
29786	15, 21, 29, 33, 83	70304201	23
29787	17, 19, 31	70304301	69
29796	77	70321001	21
430576	75	70325301	69
44071201	55	70335801	23
44087101	67	70336001	23
44088801	61, 67	70351501	23
56156	77	70351601	69
70030401	75	70351701	69
70054	15, 17, 23, 31, 35, 51	70361301	17
70288801	75	70361401	17
N.G. Valve		70361901	15
70457301P	93, 95	70362001	15
N.G. Valve Conversion Kit		70362301	61
M4733P3	93, 95	70362601	61
		70362701	61
		70363101	69
		70375301	69
		70381101	69
		70381201	69
		70395901	69
		70396001	69
		70408001	69
		70408002	69
		70411601	69
		70412901	61
		70413601	33
		70413602	33
		70413701	69
		70413801	69
		70413901	33
		70413902	33
		70416301	35
		70416401	35
		70417901	31
		70418001	31
		70428701	69
		70428702	69
		70428801	69
		70428802	69
		70428901	69
		70445102	51
		70452601	21
		70452602	21
		70452701	21
		70452702	21
O			
Opto Coupler			
200674P	25		
Orifice Adapter			
70435901P	91		
Orifice Holder Bracket			
70248901	91		
Orifice Keeper Bracket			
70249001	91		
O-Ring			
431482	93, 95		
Output Harness			
44186101	51		
Overlay			
44147801	33		
70114601	61		
70114701	69		
70115201	69		
70115301	69		
70115401	61		
70129501	21		
70129601	21		
70129701	21		
70129801	21		
70136301	69		

N/A items do not appear in index.

70452801	23
70452901	23
70460901	69
70461001	69
70462801	51
70463002	51
70466701	51
70467101	51
70472302	51
70472502	51

P

Panel Clip	
M406494	61
Panel Latch	
70399201	67
Panel Latch Kit	
70399201P	67
Panel Locator	
56079	17, 31
PC Board Standoff	
210098	45
Pin	
70071401	57
Pipe	
70262601	91, 95
Pipe Clip	
70203701	87
Pipe Nipple	
431486	91
70139601	95
70210201	93
Pipe Tee	
70267501	91
Plug	
M400985	103, 107, 113, 115
Pop Rivet	
M400003	15, 17, 23, 33, 35, 39, 41, 47, 49, 61
44166601	63
70058501	57, 75, 91, 105, 109, 113, 115, 119, 121
70058502	103, 107, 113, 115, 119, 121
70126301	55, 63
70126401	63
70412601	55
Porcelain Touch-Up Paint	
122P4P	59, 75
215P4P	59, 75
370P4P	59, 75
Power Distribution Block Cover	
44014901P	119, 121
Power Harness	
70316101P	101, 111
70316201	101, 111
70332201	101, 111
70347701P	101, 111
70357401	117
70357501	117
70438901	101, 111
70439001	101, 111
70439301	117
70439401	117
70439501	101, 111
70445501	101, 111

Pushbutton	
44018801	65
Pushbutton Switch	
M413431	107
70413301	21, 23, 29, 31, 33, 61, 63

R

Rear Bearing Shim	
70355001	73
Rear Cylinder Bearing Housing	
70013901	73
Rear Cylinder Channel	
70257101	71
70257102	71
70305201	71
70305202	71
Rear Cylinder Channel Plate	
70257201	71
70305301	71
Rear Cylinder Seal	
70013701P	73, 75
70013703	73, 75
Rear Cylinder Seal Support	
70017201	73, 75
70305401	73, 75
Rear Panel	
70301701	75
70339401	75
70339402	75
Rear Stabilizer Bracket	
70200301	83
Rear Valve Cover	
70282401	91
Relay	
70210901P	111, 117
Replacement Gas Valve Kit	
M4970P3	91
M4972P3	91
Rocker Switch	
44099601	31
70455101	15, 17
70461301	17
Roller Bearing Assembly	
70298701P	75
Roller Seal	
70443601	75
Roller Shaft	
70249501	75

S

Screw	
M400044	57
M400661	55
M402917	105, 109, 113, 115, 119, 121
M405188	61
M411072	81, 105, 109, 113, 115, 119, 121
M412985	77
05161	87
23222	77, 83, 93, 95
33562	105, 109, 113, 119, 121
38272	105, 109

N/A items do not appear in index.

39733	119, 121
430497	31, 71, 75, 77, 81, 83, 87, 89, 91, 93, 95, 97, 105, 109, 113, 115, 119, 121
430648	77
430756	55
430757	55
431484	93, 95
431539	77
44083001	105, 109
501086	103, 107, 113, 115, 119, 121
501524	15, 17, 21, 23, 31, 33, 35, 39, 41, 47, 49, 51
51780	83, 103, 105, 107, 109, 113, 115, 119, 121
51782	109, 115
51783	105, 109, 113, 115
52909	37, 43
61199	55, 57
62588	71
70033502	57, 63
70069901	63
70126101	83
70182601	63
70247701	75
70275801	61, 63
70407301	57
Shadow Box Clip M400972	61, 63
Sheet Metal Edge Gasket 70015707	75
70015708	75
70015711	75
70015712	75
Side Panel 70231801*P	75
70301801*P	75
Sleeve 44050601	19
Slip Ring Assembly 44240201	85
Slip Ring Holder 44224401	85
Slot Card Plate Assembly 44089501	23, 31, 41, 49
Snap Bushing M400770	91, 119, 121
M402542	103, 107, 113, 115, 121
M405340	119, 121
Solenoid Valve DIN Connector 70370301P	99
Spark Electrode 70032801P	87
70466501P	87
Spray Paint 286P4	59, 75
297P4	59, 75
298P4P	59, 75
Spud Adapter 70223501	93, 95
Steam Coil 70369101P	99
Steam Configuration Harness 70322401P	111
Steam Stove Limit Bypass Harness 70389901	111
Steam Valve F8322902	99

Steam Valve Coil M412258	99
70205701P	99
Steam Valve Rebuild Kit 70351021P	99
Stove Back 70371501	87
70375201	87
Stove Grill 70214901	97
Stove Limit Bypass Harness 70316601	111, 117
Stove Limit Harness 70316501	87
Stove Limits Harness 70316501	87
Stove Limits Kit M4903P3	87
Stove Top and Sides 70306001	87
70333401	87
Street Elbow H86070034	91, 93, 95
Support Bearing 70448701	73
Switch 431159	75
70411901	89
Switch Bracket 70356301	89

T

Tee 70071801	91, 93, 95
Temperature Knob 44104601	15, 17
Temperature Selector Bracket 70350201	15
Temperature Selector Switch 511711	15, 17
Temperature Selector Switch Bracket 70391701	17
Terminal Block M413865	119, 121
430642	105, 109, 113, 115
Terminal Block Shield 70333001	105, 109, 113, 115
Terminating Resistor 210162	45
Thermistor M414704	83
Thermistor Cover 70346301	83
Thermostat Cover M414477	87
Top Panel 70302001	75
70339501	75
Top Panel Assembly 70357701	75
70357801	75

N/A items do not appear in index.

Transformer	
M414228P	105, 109, 113, 115, 119
M414229P	105, 109, 113, 115, 119, 121
M414230P	105, 113
M414312P	105, 113
44074401	113, 115, 119, 121
Trunnion and Seal Kit	
M4960P3	71
M4962P3	71
Trunnion and Wire Assembly	
70454601	71
Tube	
70281601	91
70281602	91
70281603	93, 95
Tumbler Dolly Kit	
M4379P4	63

Wire Guard	
201595P	25
Wireless Network Kit	
NK301	39, 41

U

Upper Card Reader Harness	
70420001P	31
Upper Front Panel Assembly	
70391301*P	59
70391302P	59
70391303P	59
70391501*P	59
70391502P	59
70391503P	59
70454501	59
USB Gateway Kit	
NK330	39, 41

V

Valve Bracket and Cover Kit	
M4746P3	93, 95
Valve Coil Bracket	
70260601	93, 95
Valve Rebuild Kit	
F8379502	99
Valve Support Bracket	
70457701	93, 95

W

Warning Label	
M410892	61, 63
Washer	
M400080	71
M400991	73, 83
70261401	75
70265901	77
70270301	77
70292801	29
70409301	55
70411301	71, 73
Wire Clip	
36274	31, 103, 107, 113, 115
70347601	103, 107, 113, 115
70366201	83

N/A items do not appear in index.